

Oase

EN

FR

ES



FiltoClear

3400, 5200, 8200

EN Operating instructions

FR Notice d'emploi

ES Instrucciones de uso

Original operating manual. This operating manual belongs with the unit and must always be handed over together with the unit.

 **WARNING**

- ▶ Disconnect all electrical units in the water from the power supply before reaching into the water. Otherwise there is a risk of injuries or death by electrocution.
 - ▶ This unit can be used by children aged 8 and above and by persons with reduced physical, sensory or mental capabilities or lack of experience and knowledge if they are supervised or have been instructed on how to use the unit in a safe way and they understand the hazards involved. Do not allow children to play with the unit. Only allow children to carry out cleaning and user maintenance under supervision.
-

Table of Contents

Questions, problems, missing parts?	4
Safety information	4
Electrical connection	4
Safe operation	4
Intended use	5
Product description	6
Overview	6
Connection components for installation	8
Function description	9
Recommended filter pump	9
Symbols on the unit	10
Installation and connection	10
Installing the unit	10
Establishing the connections	12
Commissioning/start-up	14
Switching the UVC clarifier on/off	15
Operation	15
Maintenance and cleaning	15
Cleaning the foam filters	16
Removing/positioning the filter cover	17
Cleaning the unit and washing or replacing the foam filters	19
Removing/installing the UVC unit head	22
Replacing the UVC lamp	23
Cleaning/replacing the quartz glass	24
Replacing the cleaning rotor	26
Wear parts	27
Decommissioning/winter storage	27
Troubleshooting	28
Technical data	29
Unit data	29
Permissible water values	30
Disposal	30

Questions, problems, missing parts?

Before returning the unit to your dealer, call us at 330-274-8317, Monday-Friday, or email us at customerservice@atlantic-oase.com.

Safety information

Electrical connection

- Special regulations apply to electrical installation in outdoor areas. Only allow a qualified electrician to perform the electrical installation.
 - The qualified electrician has the required professional training, knowledge and skills to perform electrical installations in outdoor areas. The qualified electrician can detect potential risks and adheres to regional and national standards, regulations and directives.
 - For your own safety, please consult a qualified electrician.
- Only connect the unit if the electrical data of the unit and the power supply match.
- Only connect the device to a correctly installed socket.
- The device is to be supplied through a residual current device (RCD) having a rated residual operating current not exceeding 30 mA.
- Extension cables and power distributors (e.g. outlet strips) must be suitable for outdoor use (splash-proof).
- Protect open plugs and sockets from moisture.

Safe operation

- Do not use the unit, if electrical lines or the housing are damaged.
- Dispose of the unit if its power connection cable is damaged. The power connection cable cannot be replaced.
- Do not carry or pull the unit by its power cable.
- Never make technical modifications to the unit.
- Only carry out work on the unit that is described in this manual.
- Only use original spare parts and accessories.
- Route lines so that they are protected from damage and nobody can trip over them.
- Should problems occur, please contact the authorized customer service or OASE.

WARNING

Serious injury or death due to dangerous electrical voltage is possible with an electrical device in water operated with a voltage $U > 12 \text{ V AC}$ or $U > 30 \text{ V DC}$.

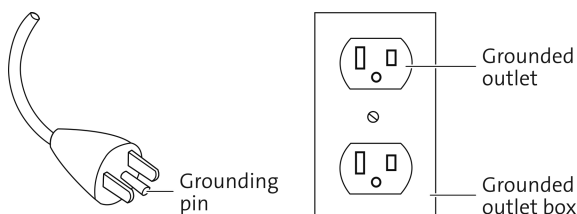
- ▶ Disconnect all electrical devices in the water from the power supply before reaching into the water.
 - ▶ Disconnect the device from the power supply before starting work on the unit.
-

⚠ WARNING

In the event of improper connection of the unit grounding, there is a risk of electric shock. The unit must be grounded in order for the electrical current to be dissipated via the grounding and to reduce the risk of electric shock in the event of a malfunction or failure.

Instructions for grounding:

- ▶ The unit is equipped with a mains cable with grounding conductor and a plug with grounding pin. The plug must be plugged into a suitable socket, which is installed and grounded according to local regulations and ordinances and is protected by a FI protection switch (GFCI).
- ▶ Do not modify the plug. Have a suitable socket installed by an electrician if the plug does not fit into the socket.
- ▶ Contact an electrician if you have any doubts as to whether the appliance is properly grounded.



Intended use

Only use the product described in this manual as follows:

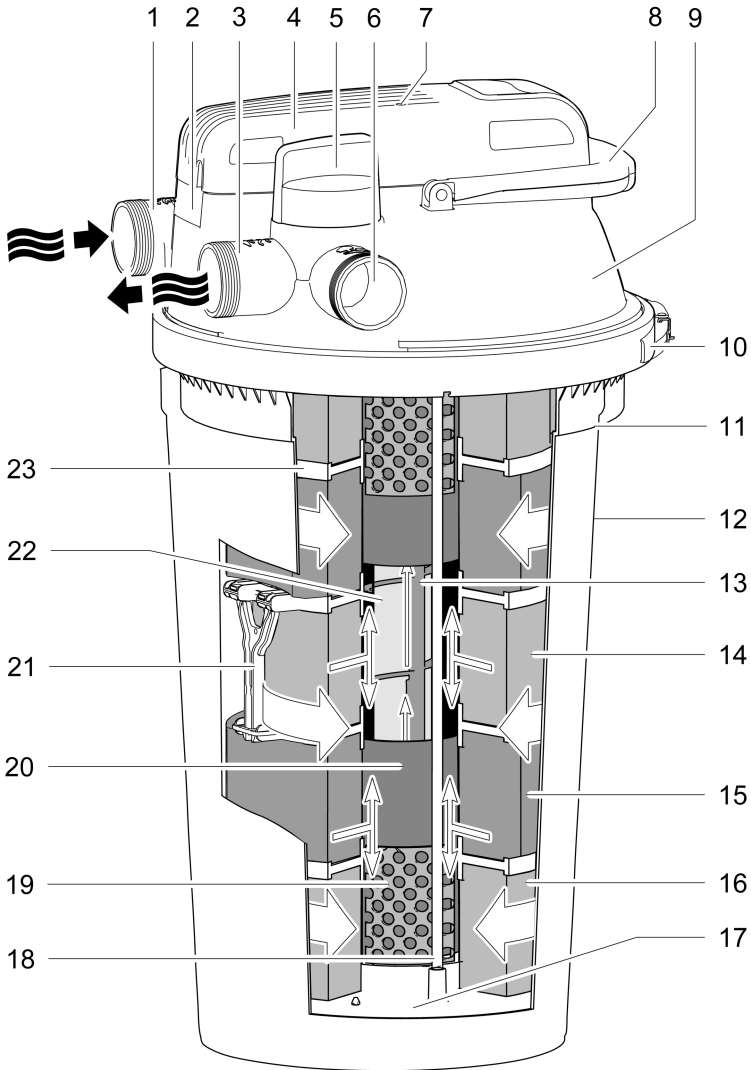
- For mechanical and biological cleaning of garden ponds
- In compliance with the technical specifications. (→ Technical data)

The following restrictions apply to the unit:






- This product is not suitable for general lighting, but is only intended for the purpose described here.
- Never operate the UVC lamp outside the casing or use it for any other purpose. The UVC radiation is harmful to the eyes and skin even in small doses.
- Never use the unit with fluids other than water.
- Do not use in conjunction with chemicals, foodstuff, easily flammable or explosive substances.
- Never run the unit without water.
- Do not use for commercial or industrial purposes.

Product description

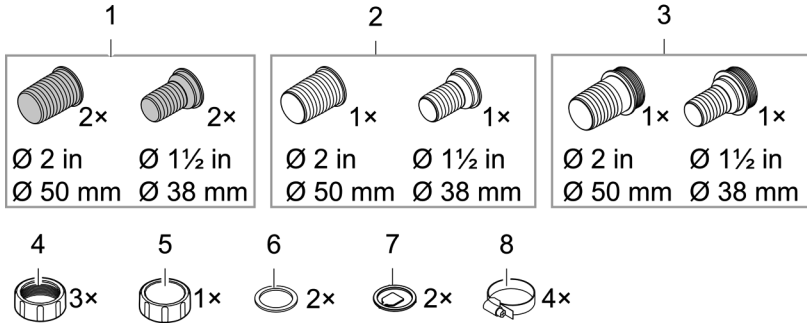
Overview



FCL0007

- | | | |
|----|---|--|
| 1 |  | Water inlet for the pond water being cleaned <ul style="list-style-type: none"> • Connection G2 |
| 2 | | Opening ring with locking screw for locking the UVC unit head <ul style="list-style-type: none"> • To remove the UVC unit head, undo the opening ring. |
| 3 |  | Water outlet for the clean pond water <ul style="list-style-type: none"> • Connection G2 |
| 4 | | UVC unit head with temperature monitor <ul style="list-style-type: none"> • The UVC clarifier shuts down when overheated and is automatically reactivated after cooling down |
| 5 | | Turning valve for switching between water outlet and dirt water outlet |
| |  | Water filtration and UVC radiation |
| |  | Cleaning foam filters |
| 6 |  | Dirt water outlet for dirt water when cleaning the foam filters <ul style="list-style-type: none"> • Connection G2 |
| 7 | | Indicator light for checking the function of the UVC clarifier |
| 8 | | Cleaning handle <ul style="list-style-type: none"> • Pulling compresses the foam filters and removes dirt particles |
| 9 | | Filter lid |
| 10 | | Clamping ring for fastening the filter lid on the container |
| 11 | | Marking for the max. embedding depth |
| 12 | | Container |
| 13 | | Cleaning rotor, cleans the quartz glass during operation <ul style="list-style-type: none"> • Only for FiltoClear 5200, 8200 |
| 14 | | Blue foam filter (10 ppi) |
| 15 | | Red foam filter (30 ppi) |
| 16 | | Purple foam filter (20 ppi) |
| 17 | | Closing disk for filter sponges, is connected to both cleaning rods |
| 18 | | Cleaning rod, connecting cleaning handle and closing disk |
| 19 | | Meshed tube, maintaining the foam filter spacing to the UVC water casing |
| 20 | | UVC water casing, conveying water to the UVC lamp |
| 21 | | Spacer, connecting two spacer disks with each other <ul style="list-style-type: none"> • The spacer prevent the foam filters from being compressed by the weight of the foam filters above them |
| 22 | | Quartz glass with internal UVC lamp |
| 23 | | Spacer disk, each positioned between two foam filters |

Connection components for installation



FCL0012

- | | |
|---|--|
| 1 | Hose connector, transparent |
| | • Use: Water outlet, dirt water outlet |
| 2 | Hose connector, black |
| | • Use: Water inlet |
| 3 | Hose connector, black with G2 outer thread |
| | • Use: Open end of the dirt water hose, the cover cap is screwed onto the outer thread |
| 4 | Union nuts G2, for installing the hose connectors |
| 5 | Cover cap G2, for closing the dirt water outlet |
| 6 | Flat seal for black hose connector and cover cap |
| 7 | Flow lug for transparent hose connector |
| 8 | Hose clip |

Function description

The filter pump presses the water into a pressure-tight container, where it passes several cleaning stages before returned into the pond.

Cleaning stage "filtering"

The water flows through the foam filters. Mechanical soiling is retained by the foam filters. Suspended matter and bio sludge settle on the container bottom. Useful bacteria colonize the foam filters, cleaning the water biologically. Their effect starts at a water temperature +50 °F (+10) °C.

Foam filter	Properties
Blue (10 ppi)	High flow rate
Purple (20 ppi)	Bacterial colonization for nitrification so that ammonium is first converted to nitrite and then to nitrate
Red (30 ppi)	Low flow rate Bacterial colonization for nitrification and denitrification to convert nitrate to nitrogen

Cleaning level "UVC radiation"

The UVC clarifier irradiates the water with UV-C light. Green algae die, pathogenic agents are killed.

Bypass

The bypass ensures that only approx. 70 % of the water is irradiated with UV-C light. This means a sufficient radiation dosage is achieved even with high flow rates.

Biological cleaning effect

The maximum biological cleaning effect is achieved when the foam filters are fully colonized by filter bacteria. This may take several weeks for new foam filters. Adding starter bacteria can significantly accelerate the colonization process.

Cleaning foam filters

You can use waste water generated by cleaning foam filters to fertilize your garden.

Recommended filter pump

	FiltroClear		
	3400	5200	8200
AquaMax Eco Premium	2000	3000	4000

Symbols on the unit



Read the operating instructions.

Installation and connection

Installing the unit

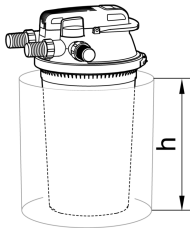
To be taken into consideration for planning:

- For operation at a swimming pond: Install the unit at a distance of at least min. 6.6 ft (2 m) from the water.
- For operation at a pond: You can install the unit directly at the edge of the pond.
- Protect the pressure filter from direct sunlight.
- Route the return to the pond so that the water is returned to the pond e.g. through a water course. This enriches the water with additional oxygen.
- Ensure that the inlet into the pond is max. 6.6 ft (2 m) above the filter lid.

Bury the pressure filter

A buried container is barely visible. The FiltoCap stone gray (art. no. 91645) cover for the filter lid, available as an accessory, blends seamlessly into the pond landscape.

- Dig a hole close to the pond and place the container in the hole down to the maximum embedding depth.
- Ensure that the ground is firm and horizontal.

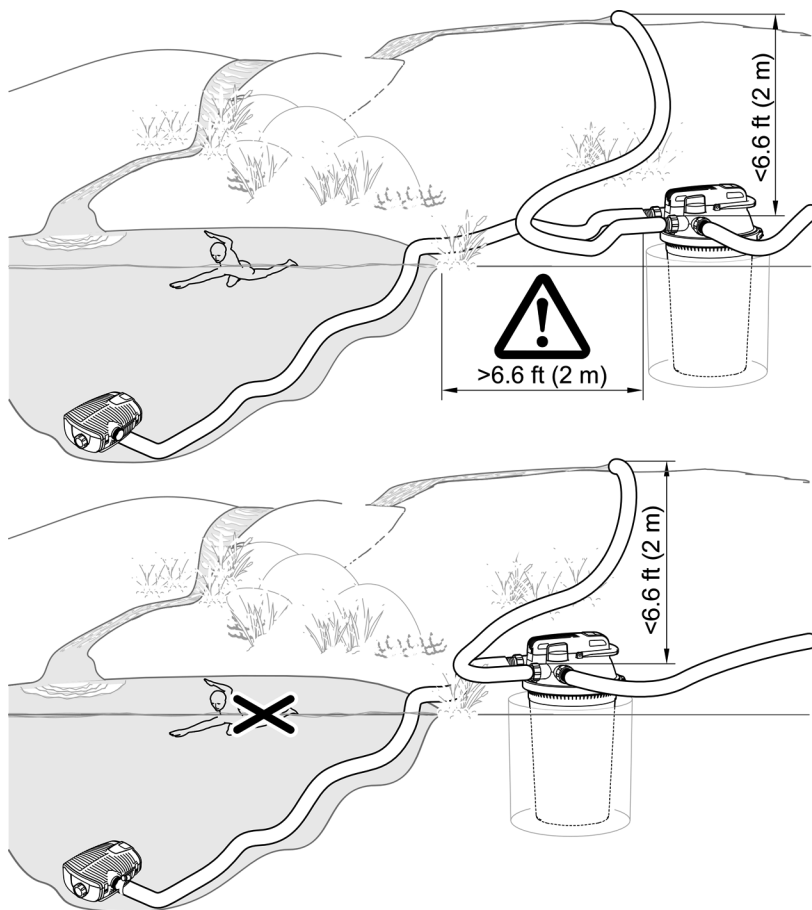


FiltoClear	Embedding depth h
3400	0.8 ft (0.24 m)
5200	1.2 ft (0.36 m)
8200	1.6 ft (0.48 m)

Installing the pressure filter on level ground

If you choose not to bury the pressure filter, position it so that it is hidden from sight e.g. covered by bushes.

- Install the unit near the pond.
- The ground must be firm and horizontal.



FCL0011

Establishing the connections

Hoses with a diameter of 1½ in (38 mm) or 2 in (50 mm) can be connected to the pressure filter. The corresponding hose connectors are part of our scope of delivery.

- ❗ Use hoses with a diameter of 2 in (50 mm) to keep the pressure loss in the hoses as low as possible.
- ❗ If you use a filter starter for start-up, fill the product into the container prior to carrying out the following installation steps.
 - It is easier to remove the filter cover if you first remove all hoses from the filter cover.

Connecting the inlet

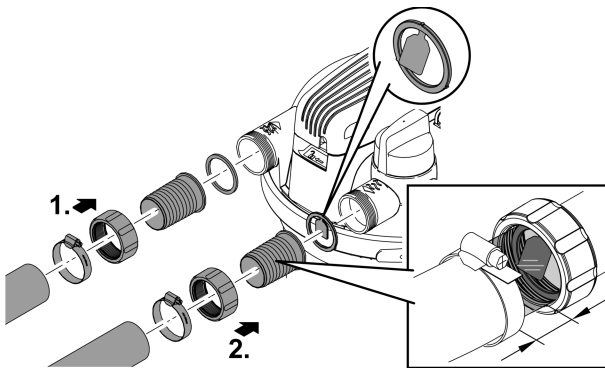
Only use pressure hoses approved for at least the maximum pump pressure to connect the outlet of the filter pump and the inlet of the pressure filter.

- Always use a hose clip to fasten the hose on a hose connector.

Connecting the outlet

Use a transparent hose connector with a flow lug. The transparent hose connector will allow you to assess the water quality after filtration. The flow lug will show you the water flow.

- Push the hose onto the hose connector until only two segments on the hose connector remain uncovered.
 - This will give you a sufficiently large view into the hose connector.
- Always use a hose clip to fasten the hose on a hose connector.



FCL0014

Connecting the dirt outlet

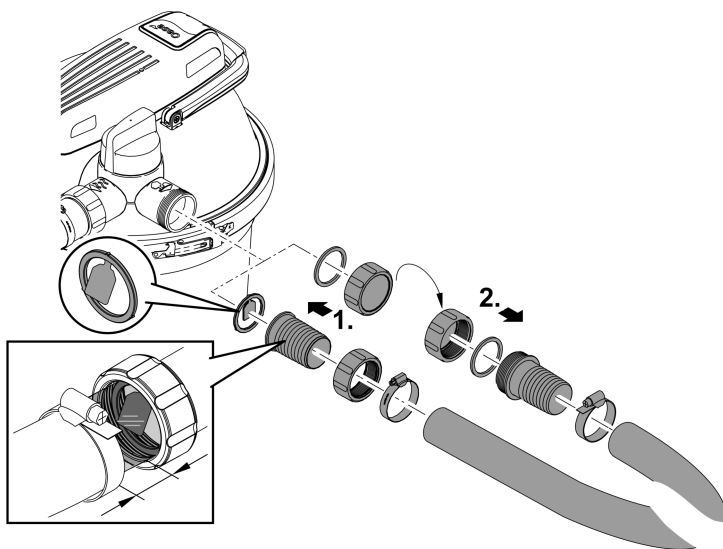
The soiled water resulting from cleaning can be used for fertilisation. Connect a hose and route it up to a suitable location (e.g. flower bed).

Use a transparent hose connector with a flow lug. The transparent hose connector will allow you to assess the degree of soiling of the water when cleaning the foam filters. The flow lug will show you the water flow.

- Push the hose onto the hose connector until only two segments on the hose connector remain uncovered.
 - This will give you a sufficiently large view into the hose connector.
- Always use a hose clip to fasten the hose on a hose connector.
- Install the black hose connector with the G2 outer thread on the outlet of the hose. Close the hose connector with the cover cap and the flat seal.

NOTE

Close the dirt outlet or the outlet of the connected hose with the cover cap and the flat seal. This prevents unintended emptying of the pond. Only remove the cover cap to drain dirty water.



FCL0028

Commissioning/start-up

NOTE

The unit will be destroyed if it is operated with a dimmer. It contains sensitive electrical components.

► Do not connect the unit to a dimmable power supply.

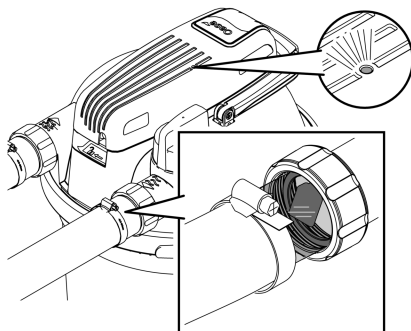
- ❗ The purely biological starter bacteria Oase AquaActiv BioKick activate the filter biology and ensure maximum performance of your pond filter within only a few weeks. They immediately start removing nitrite, ammonium and ammonia from the water. We recommend filling the container with Oase AquaActiv BioKick
- during initial start-up,
 - after manual cleaning or replacing the foam filters,
 - after long shut-down periods or during start-up after a long winter break.

Start-up sequence:

1. If required, fill the container with Oase AquaActiv BioKick. (→ Removing/positioning the filter cover)
2. Ensure that the hoses, cover cap for the dirt water outlet and the clamping ring with the safety latch are firmly connected.
3. Turn the turning valve to “Filter water”.
4. Switch on the pond pump.
5. Only switch on the UVC clarifier when water emerges from the water outlet. (→ Switching the UVC clarifier on/off)
 - Never run the UVC clarifier without water flowing through.
 - If you are using Oase AquaActiv BioKick, leave the UVC clarifier turned off for 24 hours. This allows the starter bacteria to achieve optimum effectiveness.

Switching the UVC clarifier on/off

- **Switching on:** Plug the power plug into the outlet.
 - The unit switches on immediately.
 - The indicator lamp lights up.
 - The flow lug on the outlet will show you that water is flowing.
- **Switching off:** Pull the power plug from the outlet.



FCL0015

Operation

The pressure filter can remain in operation for the entire pond season (the filter pump and the UVC clarifier are switched on).

- At water temperatures below 50 °F (10 °C), the filter biology is no longer active.
- Take the unit out of operation at water temperatures below 47 °F (8 °C) or, at the latest, when freezing temperatures are to be expected. (→ Decommissioning/winter storage)
- The UVC lamp is a wear part. Replace the UVC lamp after a specific operating duration to ensure optimal filtration power. (→ Replacing the UVC lamp)

Maintenance and cleaning

NOTE

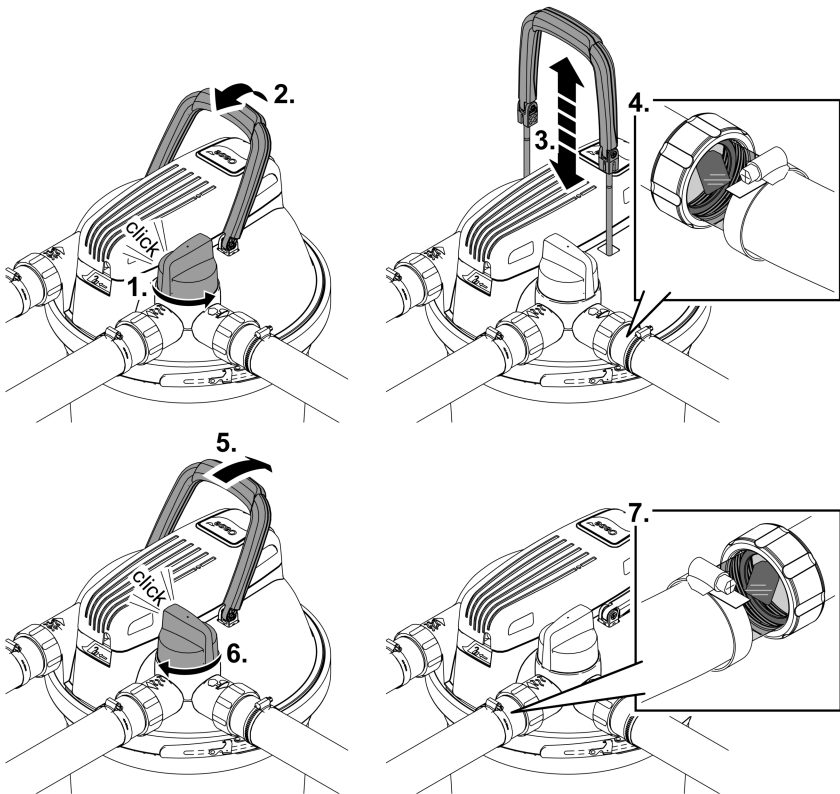
Do not use aggressive cleaning agents or chemical solutions. These agents can damage the housing, impair the function of the device and harm animals, plants and the environment.

- Only clean the unit from the outside with clear water and a soft brush.

Cleaning the foam filters

The Easy Clean function is used to clean the foam filters. During cleaning, the filter pump is switched on so that the dirt water is transported out of the pressure filter.

- Turn the turning valve to guide the water in the container to the dirt water outlet. This prevents the dirt water from flowing back into the pond.
 - Beforehand, remove the cover cap from the outlet hose for the dirt water.
- Pull the cleaning handle to compress the foam filters. The dirt particles are removed and flow with the water via the dirt water outlet, for instance to a flower bed.
- The transparent hose connectors allow you to check the water flow and assess the degree of soiling in the water during cleaning on the dirt water outlet. As soon as the water runs clear, turn the turning valve back to "Filtering".
- After cleaning, close the dirt water hose or the dirt water outlet with the cover cap and the flat seal.



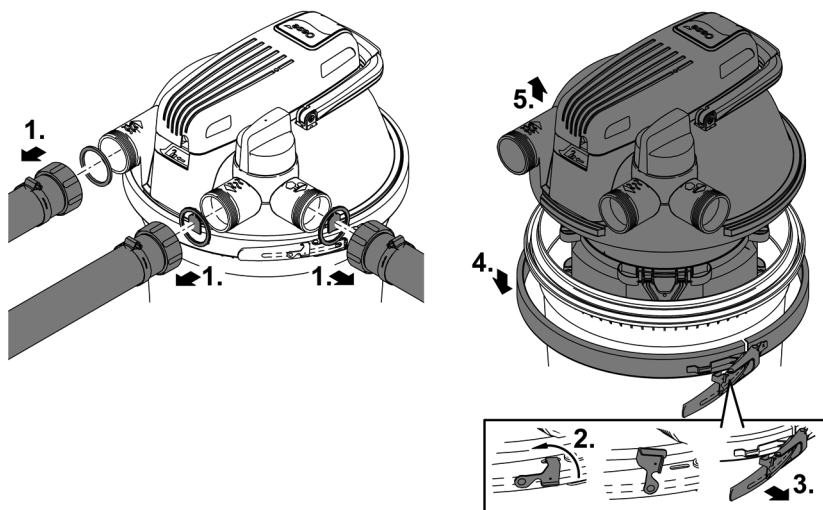
FCL0020

Removing/positioning the filter cover

Removing the filter cover

How to proceed:

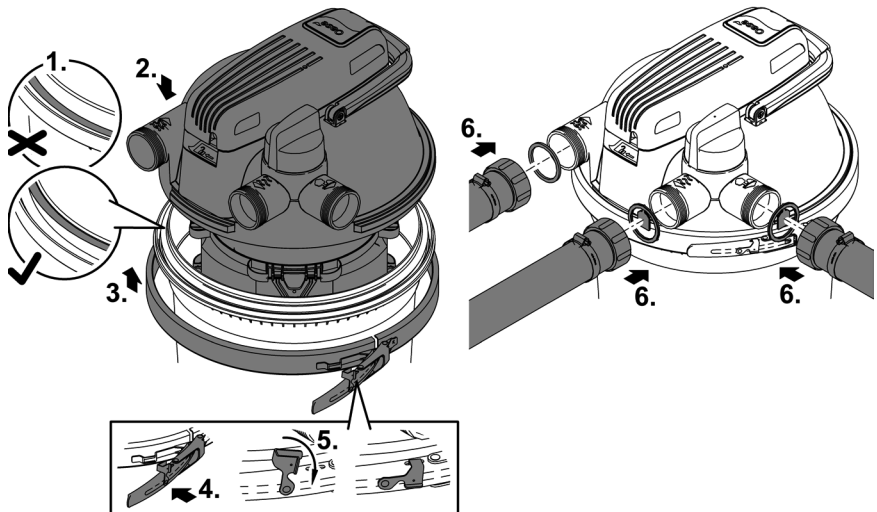
- Switch off the filter pump and pull the power plug of the UVC clarifier from the outlet.
- Remove all hoses from the filter cover (unscrew hose connectors).
- Undo the locking latch.
 - Use flat nose pliers if the locking latch is hard to move.
- Open the clamping ring and remove the filter cover.



FCL0018

Positioning the filter cover

- Ensure that the O-ring on the container is positioned correctly on the container rim.
 - Moisten the seal with water or grease the seal, if necessary, so that the filter head is easier to push onto the container.
- Evenly and forcefully push the filter cover as far as possible onto the container.
 - The filter ring must make full contact with the container, otherwise the clamping ring will not close.
- Fasten the filter cover with the clamping ring and close the locking latch.
 - The locking latch prevents the clamping ring from coming loose accidentally, which would cause pond water to leak in an uncontrolled manner.
 - Use flat nose pliers if the locking latch is hard to move.
- Attach all hoses (screw hose connectors in place).



FCL0019

Cleaning the unit and washing or replacing the foam filters

Wear of the foam filters is caused by mechanical stress and normal ageing.

- ❗ Insert new foam filters at the start of the season.

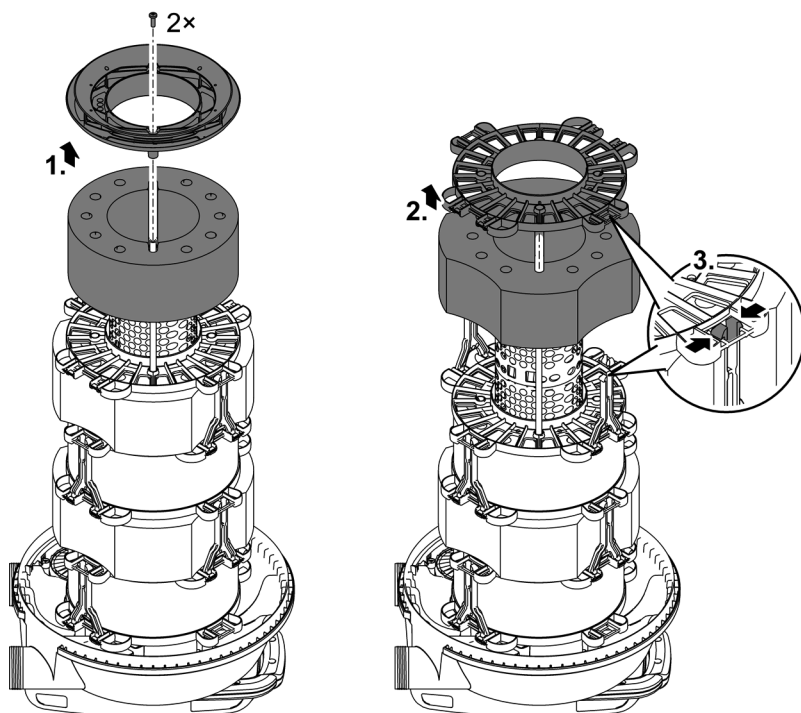
Disassembling the foam filter package

Prerequisite:

- The filter cover has been removed. (→ Removing the filter cover)

Place the filter cover upside down on a soft clean surface so that the foam filter package is on top.

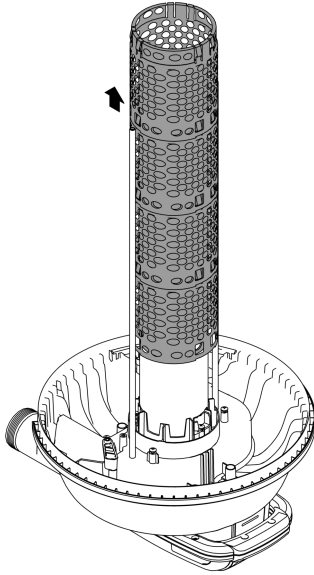
- Undo the two screws, remove the closing disc and remove the first foam filter.
- For every additional foam filter, undo the two spacers and remove the spacer disc and the foam filter.



FCL0023

Cleaning

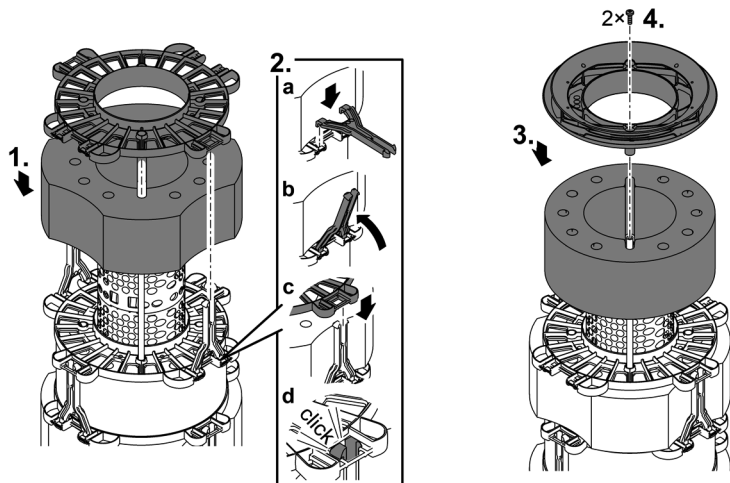
- Clean the container, the clamping ring, the filter cover, the UVC water housing and the meshed tube with a powerful water jet.
 - Pull off the meshed tube by pulling and simultaneously turning it clockwise.
- Wash each of the foam filters by forcefully compressing it under running water.
 - If necessary, replace the foam filters.



FCL0030

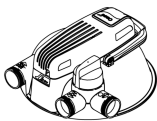
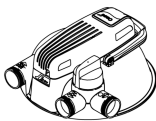
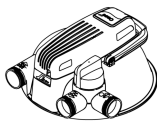
Assembling the foam filter package

- Push the foam filters onto the meshed tube in the intended order. (→ Installation sequence of the foam filters)
- Place a spacer disc on each foam filter and fasten it with two spacers each.
 - Insert the spacer into the spacer disc up to the stop and fold over the spacer with a slight rotary movement.
- Place the closing disc on the final foam filter (purple, 20 ppi). Fasten the closing disc to the two cleaning rods using the two screws.
- Position the filter cover on the container. (→ Positioning the filter cover)



FCL0024

Installation sequence of the foam filters

	FiltoClear 3400	FiltoClear 5200	FiltoClear 8200
			
	30 ppi	10 ppi	30 ppi
	10 ppi	30 ppi	10 ppi
	20 ppi	10 ppi	30 ppi
		20 ppi	10 ppi
			20 ppi

Foam filters

Removing/installing the UVC unit head

⚠ CAUTION

The ultra-violet radiation of the UVC lamp can damage your eyes and skin.

- ▶ Never operate the UVC lamp outside out the casing or in a damaged casing.
- ▶ Disconnect the unit from the power grid before starting any maintenance work or before replacing the UVC lamp.

⚠ CAUTION

The quartz glass and UVC lamp could break and cause cuts.

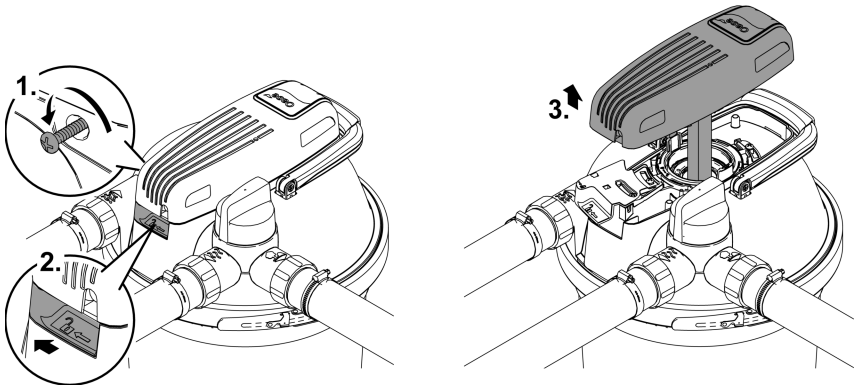
- ▶ Act with caution when performing work on the UVC clarifier in order to avoid cuts.
- ▶ Avoid shocks, impacts and abrupt movements to prevent the glass from breaking.

- ⓘ For safety reasons, the UVC lamp can only be turned on when the UVC clarifier is properly installed in the unit.

Removing the UVC unit head

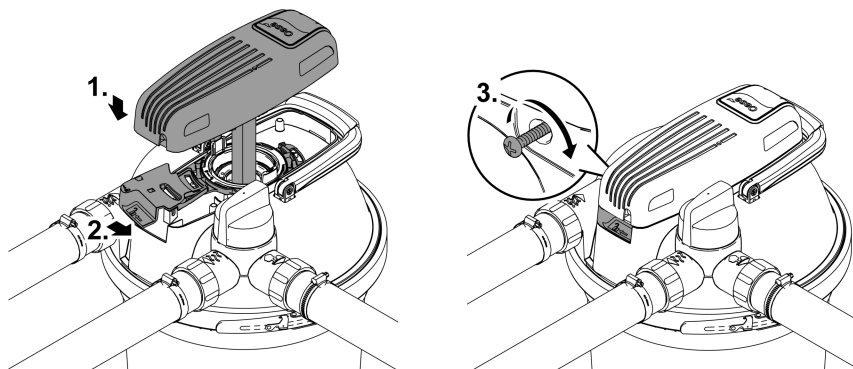
How to proceed:

- First pull the power plug of the UVC clarifier before removing the UVC unit head.
- Remove the locking screw, undo the opening ring and remove the UVC unit head.
- If it is not possible to remove the UVC unit head, a vacuum has built up in the quartz glass as a result of the UVC lamp cooling down.
 - Remedy: Switch on the UVC clarifier. The heat of the UVC lamp reduces the vacuum and the UVC unit head is pushed up with a plopping sound. Pull the plug of the UVC clarifier and remove the UVC unit head.



FCL0016

Installing the UVC unit head



FCL0017

Replacing the UVC lamp

The UVC lamp is a wear part. Replace the UVC lamp when the indicated operating hours have been reached. This ensures optimum filtering performance.

FitoClear	UVC lamp power	Replace UVC lamp after
3400	24 W	8000 h (one pond season)
5200	42 W (optionally 36 W)	42 W / 60 W: 12000 h
8200	60 W (optionally 55 W)	36 W / 55 W: 8000 h

Prerequisite:

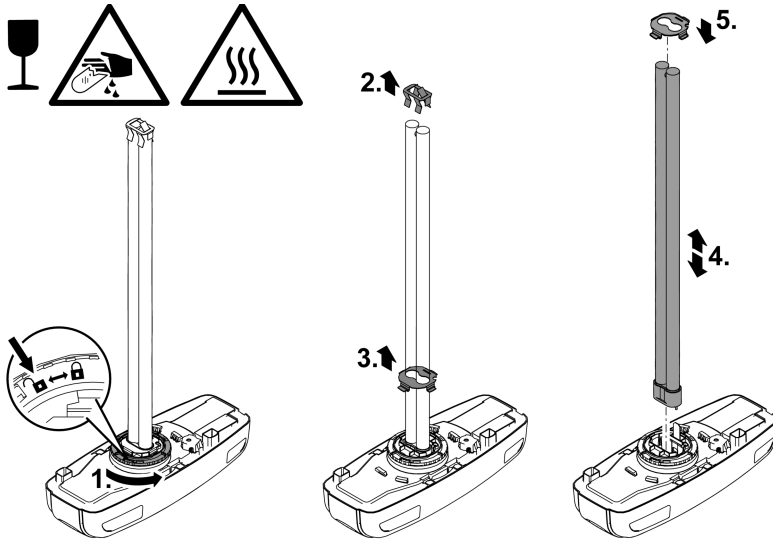
- The UVC unit head has been removed. (→ Removing the UVC unit head)
- Only use UVC lamps, the identification and power data of which correspond to the information on the type plate. (→ Technical data)

How to proceed:

- Removal: Turn the bayonet ring all the way to the “lock open” position to remove the holding plate and the UVC lamp.
- Installation: Turn the bayonet ring all the way to the “lock closed” position. Otherwise you cannot install the UVC unit head.
 - On delivery, the bulb of the UVC lamp is protected by a transport guard. The lamp guard is not required for the lamp function and does not need to be reinstalled.

- ❗ If necessary remove a lamp guard stuck in the quartz glass as follows:
 - Remove the quartz glass. (→ Cleaning/replacing the quartz glass)
 - Carefully and steadily knock the rotor lid with the quartz glass against a firm surface. The lamp guard will slowly slide out of the quartz glass.

- ❗ OSRAM UVC lamps can only be installed without the holding plate. OASE therefore recommends using Philips UVC lamps.



FCL0022

Cleaning/replacing the quartz glass

The quartz glass is fastened in the filter head by a rotor cover so that no water can leak from the container interior.

- Replace the quartz glass if it is scratched or has become opaque. Otherwise the cleaning power of the UVC lamp is no longer sufficient.

⚠ CAUTION

The quartz glass and UVC lamp could break and cause cuts.

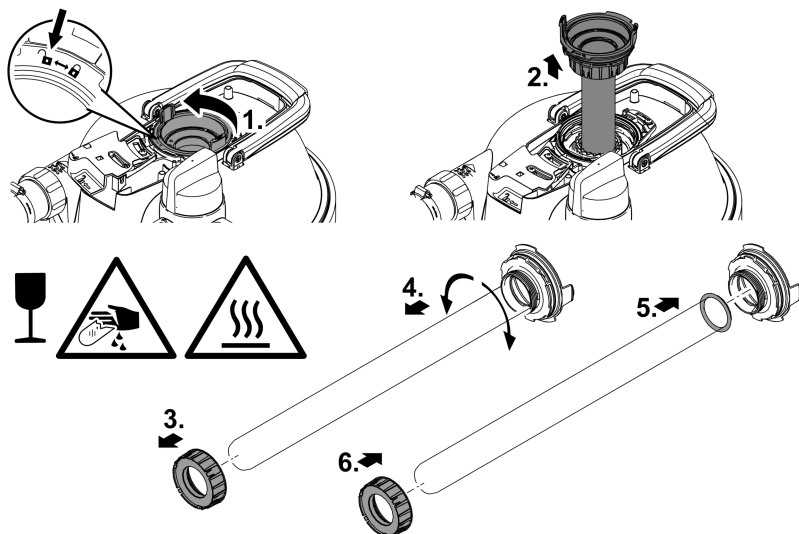
- ▶ Act with caution when performing work on the UVC clarifier in order to avoid cuts.
- ▶ Avoid shocks, impacts and abrupt movements to prevent the glass from breaking.

Prerequisite:

- The UVC unit head has been removed. (→ Removing the UVC unit head)

How to proceed:

- Switch off the filter pump.
 - Unlock the rotor cover (bayonet lock to "Lock open").
 - Remove the rotor cover with the quartz glass and, if installed, the cleaning rotor.
 - Set the rotary valve to the dirt water outlet to eliminate any vacuum that may have built up in the container.
 - Clean the quartz glass.
 - If you are replacing the quartz glass:
 - Undo the clamping screw and carefully pull off the quartz glass with a slight pivoting and turning movement.
 - Clean the O-ring and replace it if it is damaged.
 - Grease the O-ring with a commercial grease.
 - Pull the O-ring over the collar of the quartz glass. (Not over the glass itself to avoid grease residue on the quartz glass.)
 - Position the quartz glass on the rotor cover and tighten the clamping screw all the way, otherwise it will not be possible to install the rotor cover.
 - Check for profile wear on the cleaning rotor. (→ Replacing the cleaning rotor)
 - When installing the quartz glass, tighten the rotor cover all the way (bayonet lock to "lock closed"). Otherwise it will not be possible to install the UVC unit head.
- ⓘ Condensate may form in the quartz glass. This condensate formation cannot be avoided, however, it does not impair function and safety.



FCL0021

Replacing the cleaning rotor

On the FiltoClear 5200 und FiltoClear 8200, there is an additional cleaning rotor above the quartz glass to clean the quartz glass, powered by the water flow.

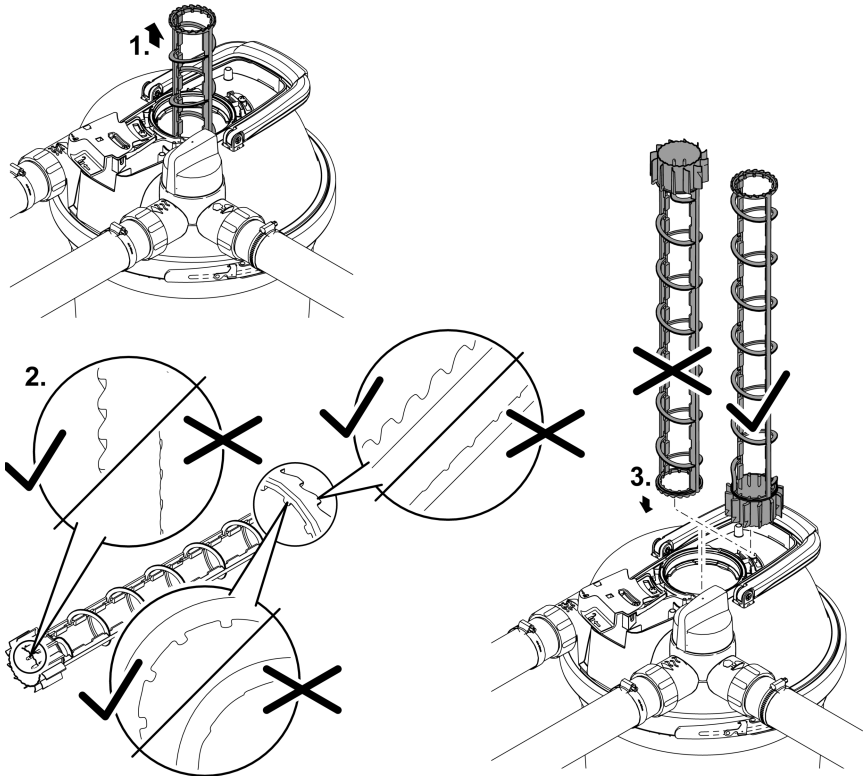
- Replace the cleaning rotor if it is worn.

Prerequisite:

- The quartz glass has been removed. (→ Cleaning/replacing the quartz glass)

How to proceed:

- Check the profile wear at both ends and the inner surfaces of the cleaning rotor.
 - If the profile is worn, the cleaning rotor will rotate sluggishly and has to be replaced.
- Insert the cleaning rotor in the UVC water housing.



FCL0029

Wear parts

- Foam filters
- UVC lamp, quartz glass and O-ring for quartz glass
- Cleaning rotor
- Replacement clamping screw
- Pipe connection FiltoClear 5200, 8200

Decommissioning/winter storage

Shut down the unit at water temperatures below 46° F (+8 °C) or, at the latest, when freezing temperatures are expected.

- Remove as much water as possible from the containers, the hoses and connections.
- Thoroughly clean all components, check the unit for damage and replace damaged components.
- Store the filter cover, UVC clarifier and filter materials in a dry area protected against freezing.
– Ensure that the storage place is inaccessible to children.
- Cover the container to prevent rain water from entering it.
- Secure the buried container so that it does not pose any risk of accident for persons or animals.

Troubleshooting

Malfunction	Possible cause	Remedy
No water runs from the water outlet	The filter pump is not switched on	Switch on the filter pump
	The supply lines are clogged	Check the supply lines and clean them, if necessary
	The rotary valve is not set to "Filter water"	Set the rotary valve to "Filter water"
The flow rate is too low	The foam filters are clogged	Clean the foam filters
	The filter pump power is too low	Use a more powerful filter pump
The indicator light on the UVC unit head is not lit	The power connection is defective or the power plug is not plugged in	Check the power connection (power plug, fuse)
	The temperature switch has switched off the UVC lamp	Allow the UVC lamp to cool down
	The UVC lamp is defective	Replace the UVC lamp
The filter performance is not satisfactory	The rotary valve is not set to "Filter water"	Set the rotary valve to "Filter water"
	The filter has only been operating for a brief period	Wait a few days/weeks
	The water or the pond is extremely soiled	Thoroughly clean the pond
	Too many fish and other pond animals	Adhere to the reference value
	The foam filters are soiled	Clean the foam filters
	The quartz glass is soiled	Clean the quartz glass and the cleaning rotor
	The cleaning rotor turns sluggishly	Check the cleaning rotor for wear and replace, if necessary
	The cleaning rotor is not turning due to soiling	<ul style="list-style-type: none"> • Clean the filter • Clean the cleaning rotor • Remove gravel from the UVC water casing and the foam filters <p>If the malfunction occurs more frequently:</p> <ul style="list-style-type: none"> • Place the filter pump at an elevated level to reduce intake of coarse dirt • Use OASE pump protection bag for the filter pump to prevent coarse dirt from being drawn in
	The wear limit of the UVC lamp has been reached (radiation power too low)	Replace the UVC lamp

Technical data

Unit data

FilitoClear			3400	5200	8200
UVC clarifier	Connection voltage	V AC	120	120	120
	Power frequency	Hz	60	60	60
	Power consumption	W	24	42	60
	UVC power	W	24	42	60
	UVC lamp		24 W TC-L(UV-C)	36 W/42 W TC-L(UV-C)	55 W/60 W TC-L(UV-C)
	Protection type		IP68	IP68	IP68
	Max. permissible submersion depth in water	ft	0.3	0.3	0.3
		m	0.1	0.1	0.1
Length of power cable	ft	16.5	16.5	16.5	
	m	5.0	5.0	5.0	
Min. flow rate	gph	1200	1725	2250	
	l/h	4500	6500	8500	
Max. flow volume	gph	2400	3450	4500	
	l/h	9000	13000	17000	
Max. permissible pump pressure	psi	8.7	8.7	8.7	
	bar	0.6	0.6	0.6	
Max. permissible operating pressure	psi	2.9	2.9	2.9	
	bar	0.2	0.2	0.2	
Inlet	Connection		G2	G2	G2
	Hose sleeve	in	1½, 2	1½, 2	1½, 2
		mm	38, 50	38, 50	38, 50
Outlet	Connection		G2	G2	G2
	Hose sleeve, transparent	in	1½, 2	1½, 2	1½, 2
		mm	38, 50	38, 50	38, 50
Dirt outlet	Connection		G2	G2	G2
	Hose sleeve, transparent	in	1½, 2	1½, 2	1½, 2
		mm	38, 50	38, 50	38, 50
Number of red foam filters		1	1	2	
Number of blue foam filters		1	2	2	
Number of purple foam filters		1	1	1	
Suitable for max. pond volume	gal	3400	5200	8200	
	l	13000	19000	31000	
Suitable for max. pond volume with fish	gal	1850	2650	4000	
	l	7000	10000	15000	
Suitable for max. pond volume with koi	gal	–	1350	2000	
	l	–	5000	7500	

FiltoClear			3400	5200	8200
Permissible ambient temperature during operation		°F	+32 ... +95	+32 ... +95	+32 ... +95
		°C	0 ... +35	0 ... +35	0 ... +35
Dimensions	Length	in	15.4	15.4	15.4
		mm	391	391	391
	Width	in	15.0	15.0	15.0
		mm	382	382	382
	Height	in	19.3	24.1	28.8
		mm	490	611	732
Weight	without water	lbs	19.4	21.2	22.7
		kg	8.8	9.6	10.3
	with water	lbs	79.4	103.6	125.7
		kg	36	47	57

Permissible water values

Fresh water, pond water		
pH value		6.0 ... 9.0
Hardness	ppm	0.45 ... 0.84
	°dH	8 ... 15
Free chlorine	moz/gal	<0.06
	mg/l	<0.5
Salt content	%	<0.5
Temperature	°F	+39 ... +95
	°C	+4 ... +35

Disposal

NOTE

Do not dispose of this unit with household waste.

- ▶ Dispose of the unit by using the return system provided for this purpose.
- ▶ Dispose of the UVC lamp by using the return system provided for this purpose.
- ▶ Render the unit unusable by cutting the cables.

Traduction de la notice d'emploi d'origine. La notice d'emploi fait partie de l'appareil et doit par conséquent lui être toujours jointe lorsqu'il est transféré.

FR

AVERTISSEMENT

- ▶ Débrancher tous les appareils électriques immergés avant de pénétrer dans l'eau afin de prévenir tout risque de blessures ou un danger de mort par électrocution.
 - ▶ Dans le cas où cet appareil serait utilisé par des mineurs de moins de 8 ans ainsi que par des personnes souffrant d'un handicap mental ou plus généralement par des personnes manquant d'expérience, un adulte averti devra être présent, qui renseignera le mineur ou la personne fragilisée concernée sur le bon emploi de ce matériel. Les enfants ne doivent pas jouer avec cet appareil. Ne pas laisser un enfant sans surveillance pour le nettoyage ou l'entretien.
-

Table des matières

Des questions, des problèmes, des pièces manquantes ?	33
Consignes de sécurité	33
Raccordement électrique	33
Exploitation sécurisée.....	33
Utilisation conforme à la finalité	34
Description du produit	35
Vue d'ensemble.....	35
Pièces de liaison pour le montage	37
Description des fonctions.....	38
Pompe filtrante recommandée	38
Symboles sur l'appareil	39
Mise en place et raccordement.....	39
Mise en place de l'appareil.....	39
Effectuer les raccordements.....	41
Mise en service	43
Connexion/déconnexion du clarificateur à UVC.....	44
Exploitation.....	44
Nettoyage et entretien.....	44
Nettoyage des éponges filtrantes	45
Retrait/mise en place du couvercle du filtre.....	46
Nettoyage de l'appareil et lavage ou remplacement des éponges filtrantes.....	48
Démontage/montage de la tête de l'appareil UVC	51
Remplacement de la lampe UVC	52
Nettoyage/remplacement du verre à quartz.....	53
Remplacement du rotor de nettoyage.....	55
Pièces d'usure.....	56
Mise hors service/stockage pour l'hiver.....	56
Dépannage	57
Caractéristiques techniques	58
Données d'appareils	58
Valeurs admissibles de l'eau.....	59
Recyclage	59

Des questions, des problèmes, des pièces manquantes ?

Avant de retourner l'appareil à votre revendeur, appelez-nous au 330-274-8317, du lundi au vendredi, ou envoyez-nous un e-mail à customerservice@atlantic-oase.com.

FR

Consignes de sécurité

Raccordement électrique

- Des dispositions particulières s'appliquent aux installations électriques en extérieur. Seul un électricien qualifié peut réaliser l'installation électrique.
 - En raison de sa formation professionnelle, de ses connaissances et de son expérience, l'électricien qualifié possède les connaissances nécessaires et a le droit de réaliser des installations électriques en extérieur. Il est capable d'identifier d'éventuels dangers et respecte les normes, règlements et dispositions régionaux et nationaux en vigueur.
 - En cas de questions et de problèmes, prière de vous adresser à un électricien qualifié.
- Ne brancher l'appareil que lorsque les caractéristiques électriques de l'appareil et de l'alimentation correspondent.
- Ne branchez l'appareil que sur une prise de courant installée conformément aux prescriptions.
- L'appareil doit être protégé par un dispositif de protection à courant différentiel-résiduel (RCD) avec un courant différentiel assigné de 30 mA maximum.
- Les câbles de rallonge et le distributeur de courant (p. ex. blocs multiprises) doivent être conçus pour une utilisation en extérieur (protégé contre les projections d'eau).
- Protégez les fiches et les douilles ouvertes contre l'humidité.

Exploitation sécurisée

- Ne pas utiliser l'appareil en cas d'endommagement des câbles électriques ou du boîtier.
- Jetez l'appareil si son câble de raccordement au secteur est endommagé. Le câble de raccordement au secteur ne peut pas être remplacé.
- Ne pas soulever ni tirer l'appareil par le câble électrique.
- Ne jamais procéder à des modifications techniques sur l'appareil.
- Exécuter des travaux sur l'appareil uniquement si ces derniers sont décrits dans la notice d'emploi.
- N'utiliser que des pièces de rechange et des accessoires d'origine.
- Poser les câbles de manière à éviter tout risque d'endommagement et de trébuchement.
- En cas de problèmes, adressez-vous au service après-vente autorisé ou contactez OASE.

AVERTISSEMENT

Dans l'eau, tout appareil électrique alimenté par une tension $U > 12$ VCA ou $U > 30$ VCC peut entraîner des blessures graves voire mortelles dues à une tension électrique dangereuse.

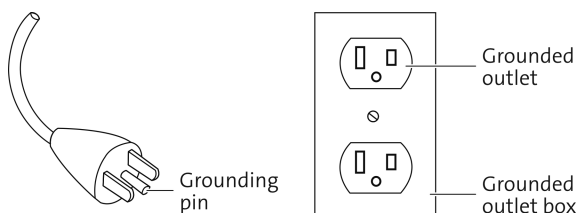
- ▶ Avant d'entrer dans l'eau, débranchez tous les appareils électriques.
- ▶ Avant d'entamer tout travail sur l'appareil, débrancher ce dernier du réseau électrique.

⚠ AVERTISSEMENT

En cas de raccordement non conforme de l'appareil à la terre, il existe un risque d'électrocution. L'appareil doit être mis à la terre afin qu'en cas de dysfonctionnement ou de panne, le courant électrique soit évacué par la terre. Le risque d'électrocution est ainsi réduit.

Instructions concernant la mise à la terre :

- ▶ L'appareil est doté d'un câble réseau pourvu d'une prise de terre et d'un connecteur avec fiche de terre. Le connecteur doit être branché sur une prise électrique adaptée, installée et mise à la terre conformément aux prescriptions et réglementations locales, et protégée par un disjoncteur FI (GFCI).
- ▶ Ne pas apporter de modification au connecteur. Si le connecteur ne convient pas à la prise, confier l'installation d'une prise adaptée à un électricien.
- ▶ En cas de doutes concernant la mise à la terre correcte de l'appareil, s'adresser à un électricien.



Utilisation conforme à la finalité

Utilisez le produit décrit dans cette notice uniquement de la manière suivante :

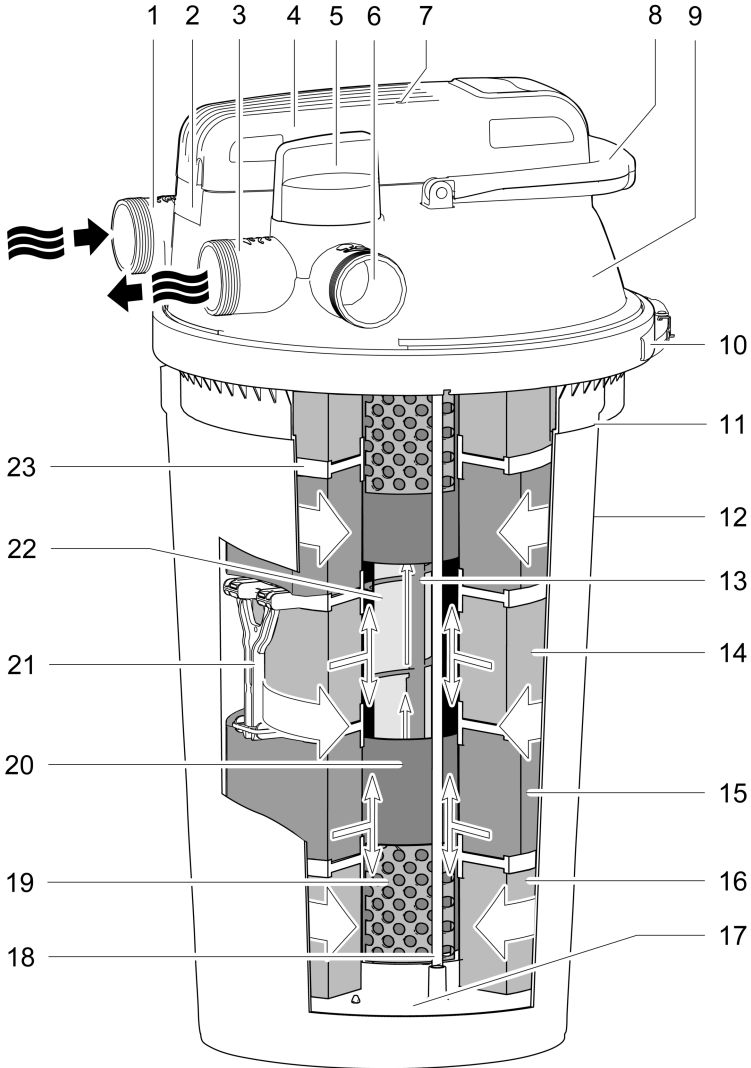
- Pour le nettoyage mécanique et biologique d'étangs/bassins de jardin
- Dans le respect des caractéristiques techniques. (→ Caractéristiques techniques)

Les restrictions suivantes sont valables pour l'appareil :


- Ce produit ne convient pas à l'éclairage général mais est uniquement destiné à l'usage décrit.
- Ne jamais utiliser la lampe UVC en dehors du boîtier, ni dans d'autres buts que ceux prévus normalement. Le rayonnement UVC est dangereux pour les yeux et la peau même à faibles doses.
- Ne jamais utiliser dans d'autres liquides que de l'eau.
- Ne pas utiliser en relation avec des produits chimiques, des produits alimentaires, des matériaux facilement inflammables ou explosifs.
- Ne jamais utiliser sans débit d'eau.
- Ne pas utiliser à des fins commerciales ou industrielles.


Description du produit


Vue d'ensemble

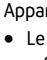


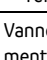
FCL0007


- 1  Admission de l'eau du bassin à épurer
 - Raccordement G2


- 2  Bague d'ouverture avec vis de blocage, pour bloquer la tête de l'appareil à UVC
 - Il faut desserrer la bague d'ouverture pour retirer la tête de l'appareil à UVC.


- 3  Écoulement de l'eau du bassin épurée
 - Raccordement G2

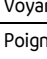
- 4  Appareil à UVC avec contrôleur de température
 - Le clarificateur à UVC se coupe en cas de surchauffe et se rallume automatiquement après son refroidissement

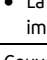
- 5  Vanne rotative pour la commutation entre le conduit d'écoulement de l'eau et le conduit d'écoulement de l'eau sale

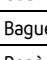
- 6  Filtrage de l'eau et irradiation aux UVC

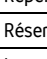
- 7  Nettoyage des éponges filtrantes

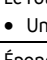
- 8  Conduit d'écoulement de l'eau sale lors du nettoyage des éponges filtrantes
 - Raccordement G2

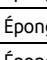
- 9  Voyant lumineux pour le contrôle de fonctionnement du clarificateur à UVC

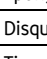
- 10  Poignée de nettoyage
 - La traction sur cette poignée provoque la compression des éponges filtrantes et l'évacuation des impuretés

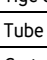
- 11  Couvercle du filtre

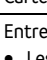
- 12  Bague de serrage pour fixer le couvercle du filtre sur le réservoir

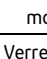
- 13  Repère de la profondeur d'insertion maximale

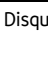
- 14  Réservoir


- 15  Le rotor de nettoyage nettoie le verre à quartz en cours de fonctionnement
 - Uniquement pour FiltoClear 5200, 8200


- 16  Éponge filtrante bleue (10 ppi)


- 17  Éponge filtrante rouge (30 ppi)


- 18  Éponge filtrante violette (20 ppi)

- 19  Disque d'obturation pour les éponges filtrantes, relié aux deux tiges de nettoyage

- 20  Tige de nettoyage, relie la poignée de nettoyage au disque d'obturation

- 21  Tube grillagé, maintient un écart entre les éponges filtrantes et le carter d'eau UVC

- 22  Carter d'eau UVC, conduit l'eau vers la lampe à UVC

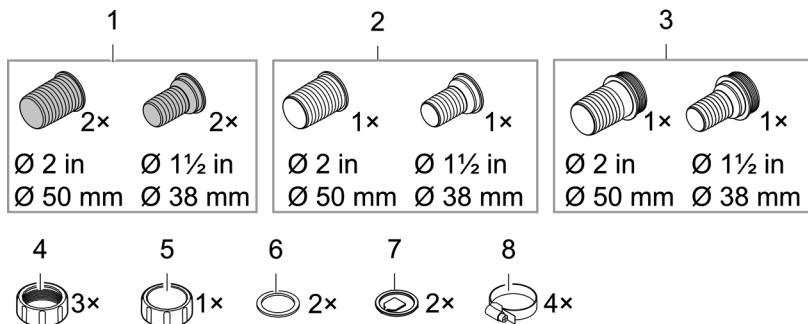
- 23  Entretoises reliant deux disques d'écartement entre eux
 - Les entretoises empêchent que les mousses filtrantes soient comprimées par le poids des mousses filtrantes situées au-dessus d'elles

- 24 Verre à quartz avec lampe à UVC interne

- 25 Disque d'espacement, situé entre deux éponges filtrantes

Pièces de liaison pour le montage

FR



FCL0012

- 1 Embout à olive transparent
 - Utilisation : Conduit d'écoulement de l'eau, conduit d'écoulement de l'eau sale

- 2 Embout à olive noir
 - Utilisation : Entrée d'eau

- 3 Embout à olive noir avec filetage extérieur G2
 - Utilisation : Extrémité ouverte du flexible d'eau sale, le capuchon obturateur est vissé sur le filetage extérieur.

- 4 Écrou-raccord G2 pour le montage des embouts à olive

- 5 Capuchon obturateur G2 pour fermer le conduit d'écoulement de l'eau sale

- 6 Joint plat pour l'embout à olive noir et le capuchon obturateur

- 7 Indicateur de débit pour embout à olive transparent

- 8 Collier de serrage

Description des fonctions

La pompe filtrante refoule l'eau dans le réservoir résistant à la pression dans lequel elle passe par différents niveaux d'épuration pour être ensuite renvoyée dans le bassin.

Niveau de nettoyage « Filtrage »

L'eau passe par les éponges filtrantes. Les encrassements mécaniques sont retenus par les éponges filtrantes. Les substances en suspension et la vase biologique se déposent au fond du récipient. Des bactéries utiles s'installent sur les éponges filtrantes et assurent une épuration biologique de l'eau. Elles commencent à agir à partir d'une température de l'eau de +50 °F (+10 °C).

Éponge filtrante	Propriétés
Bleu (10 ppi)	Vitesse d'écoulement élevée
Violet (20 ppi)	Colonisation de bactéries pour la nitrification qui transforment l'ammonium d'abord en nitrite puis en nitrate
Rouge (30 ppi)	Vitesse d'écoulement basse Colonisation de bactéries pour la nitrification et la dénitrification qui transforment le nitrate en azote

Niveau de nettoyage « Rayonnement UVC »

L'eau est irradiée par la lumière UV-C du clarificateur à UVC. Les algues en suspension périssent, les agents pathogènes sont détruits.

Bypass

Le bypass garantit que seulement 70 % environ de l'eau est irradiée par la lumière UV-C. On obtient ainsi une dose d'irradiation suffisante même à un débit élevé.

Action nettoyante biologique

L'action nettoyante biologique maximale est atteinte lorsque les éponges filtrantes sont complètement colonisées par les bactéries de filtration. La colonisation peut prendre plusieurs semaines dans les éponges filtrantes neuves. L'ajout de bactéries de démarrage permet d'accélérer considérablement la colonisation.

Nettoyage des éponges filtrantes

L'eau sale qui résulte du nettoyage des éponges filtrantes peut servir d'engrais pour le jardin.

Pompe filtrante recommandée

	FilitoClear		
	3400	5200	8200
AquaMax Eco Premium	2000	3000	4000

Symboles sur l'appareil



Lire et respecter la notice d'utilisation.

FR

Mise en place et raccordement

Mise en place de l'appareil

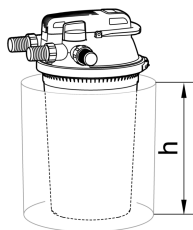
Tenir compte des points suivants pour votre planification :

- En cas d'utilisation dans un bassin de baignade : Placer l'appareil à une distance d'au moins 6,6 ft (2 m) de l'eau.
- En cas d'utilisation dans un bassin : Il est possible d'installer l'appareil au bord du bassin.
- Ne pas exposer directement le filtre sous pression aux rayons du soleil.
- Poser la conduite de retour dans le bassin de manière à ce que l'eau revienne au bassin par le biais d'un cours d'eau par exemple. L'eau pourra ainsi être enrichie en oxygène.
- Le conduit d'admission dans le bassin doit se trouver au maximum à 6.6 ft (2 m) au-dessus du couvercle du filtre.

Enterrer le filtre sous pression

Un réservoir enterré est peu visible. Le couvercle gris pierre FiltoCap (référence 91645) pour le couvercle du filtre, disponible comme accessoire, s'intègre parfaitement dans l'environnement du bassin.

- Creuser près du bassin un trou pour installer le réservoir jusqu'à la profondeur maximale.
- La surface de base doit être stable et horizontale.

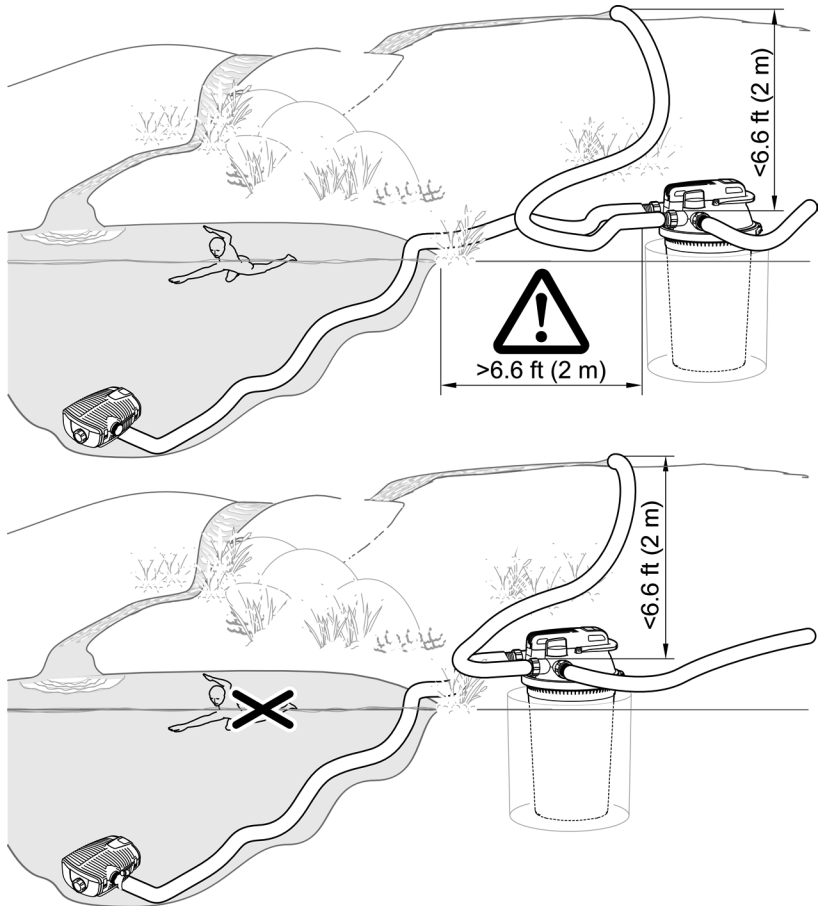


FiltoClear	Profondeur h
3400	0.8 ft (0,24 m)
5200	1.2 ft (0,36 m)
8200	1.6 ft (0,48 m)

Poser le filtre sous pression au niveau du sol

Si le filtre sous pression n'est pas enterré, il faut l'installer à l'endroit le moins visible, par exemple derrière des buissons.

- Mettre l'appareil en place à proximité du bassin.
- La surface de base doit être stable et horizontale.



FCL0011

Effectuer les raccordements

Il est possible de raccorder des flexibles de 1½ in (38 mm) ou 2 in (50 mm) de diamètre au filtre sous pression. Les embouts de tuyau correspondants font partie de la livraison.

- ❶ Utiliser des flexibles de 2 in (50 mm) de diamètre afin de maintenir les pertes de pression dans les flexibles au niveau le plus faible possible.
- ❶ En cas d'utilisation d'un starter de filtre pour la mise en service, l'installer dans le réservoir avant les étapes de montage suivantes.
 - Il est plus facile de retirer le couvercle du filtre en retirant d'abord tous les flexibles du couvercle du filtre.

Raccordement du conduit d'admission

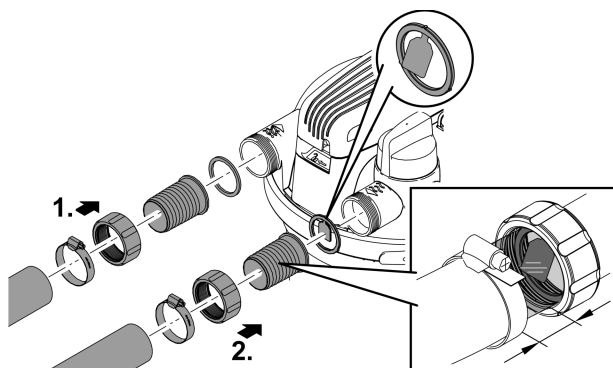
Pour le raccordement entre la sortie de la pompe filtrante et l'entrée du filtre sous pression, il faut utiliser uniquement des tuyaux résistant à la pression qui sont au minimum autorisés pour la pression maximale de la pompe.

- Il faut toujours fixer le flexible sur un embout à olive à l'aide d'un collier de serrage.

Raccordement du conduit d'écoulement

Utiliser l'embout à olive transparent avec indicateur de débit. L'embout à olive transparent permet d'évaluer la qualité de l'eau après le filtrage. Il est possible de voir le passage de l'eau avec l'indicateur de débit.

- Pousser le flexible sur l'embout à olive de manière à laisser deux segments libres sur cet embout.
 - On dispose ainsi d'une zone de vision suffisamment large sur l'embout à olive.
- Il faut toujours fixer le flexible sur un embout à olive à l'aide d'un collier de serrage.



FCL0014

Raccordement du conduit d'écoulement des impuretés

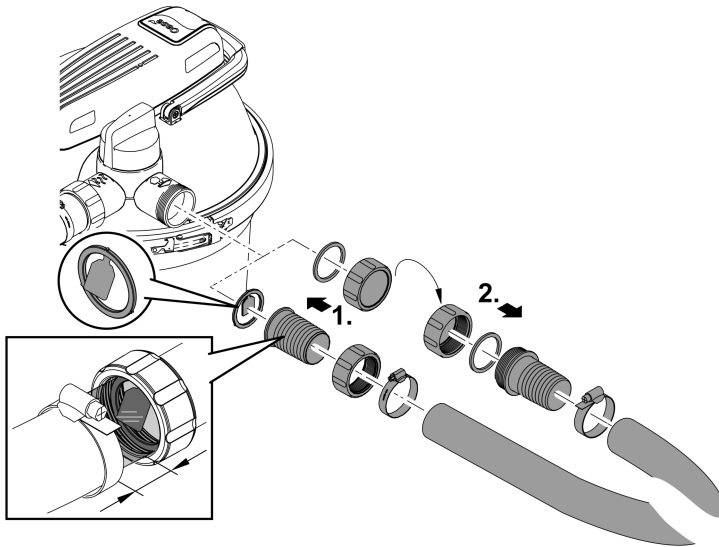
L'eau sale provenant du nettoyage est utilisable comme engrais. Raccorder un flexible à poser pour atteindre un endroit qui convient (parterre par exemple).

Utiliser l'embout à olive transparent avec indicateur de débit. L'embout à olive transparent permet d'évaluer le degré de pollution de l'eau lors du nettoyage des éponges filtrantes. Il est possible de voir le passage de l'eau avec l'indicateur de débit.

- Pousser le flexible sur l'embout à olive de manière à laisser deux segments libres sur cet embout.
 - On dispose ainsi d'une zone de vision suffisamment large sur l'embout à olive.
- Il faut toujours fixer le flexible sur un embout à olive à l'aide d'un collier de serrage.
- Monter l'embout à olive noir à filetage extérieur G2 sur le conduit d'écoulement du flexible. Obturer l'embout à olive avec le capuchon obturateur et le joint plat.

REMARQUE

Obturer le conduit d'écoulement des impuretés ou le conduit d'écoulement du flexible qui y est raccordé avec le capuchon obturateur et le joint plat. Cela permet d'éviter une vidange par inad-vertance du bassin. Ne retirer le capuchon obturateur que pour évacuer l'eau sale.



FCL0028

REMARQUE

L'appareil est détérioré lorsqu'il est utilisé avec un variateur. Il contient des composants électriques fragiles.

► Ne pas raccorder l'appareil à une alimentation en courant avec variateur.

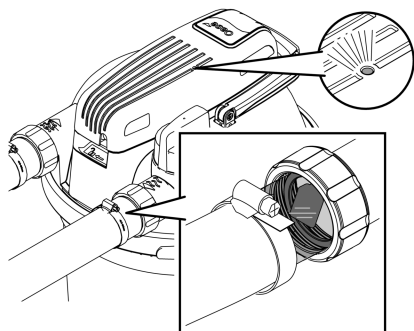
- ❗ Les bactéries de démarrage exclusivement biologiques Oase AquaActiv BioKick activent la biologie du filtre et permettent au filtre du bassin d'atteindre sa capacité totale en quelques semaines. Elles commencent immédiatement à éliminer les nitrites, l'ammonium et l'ammoniac. Nous recommandons d'ajouter Oase AquaActiv BioKick dans le réservoir
- lors de la mise en service initiale,
 - après le lavage manuel ou le remplacement des mousses filtrantes,
 - après une longue période d'arrêt ou au redémarrage après la pause hivernale.

Ordre des étapes de la mise en service :

1. En cas de besoin, ajouter Oase AquaActiv BioKick dans le réservoir. (→ Retrait/mise en place du couvercle du filtre)
2. Contrôler la bonne fixation des flexibles, du capuchon obturateur pour l'écoulement de l'eau sale et de la bague de serrage avec verrou de blocage.
3. Positionner la vanne rotative sur « Filtrage de l'eau ».
4. Mettre la pompe du bassin en service.
5. Ne mettre le clarificateur à UVC en service que lorsque l'eau sort par le conduit d'écoulement de l'eau. (→ Connexion/déconnexion du clarificateur à UVC)
 - Ne jamais faire fonctionner le clarificateur UVC sans débit d'eau.
 - En cas d'utilisation d'Oase AquaActiv BioKick, le clarificateur à UVC doit rester arrêté pendant 24 heures. On obtient ainsi une efficacité optimale des bactéries de démarrage.

Connexion/déconnexion du clarificateur à UVC

- **Mettre en circuit :** brancher la fiche secteur dans la prise de courant.
 - L'appareil se met immédiatement en marche.
 - Le voyant lumineux s'allume.
 - Il est possible de voir le passage de l'eau avec l'indicateur de débit sur le conduit d'écoulement.
- **Mettre hors circuit :** retirer la fiche secteur de la prise de courant.



FCL0015

Exploitation

Le filtre sous pression peut rester en service pendant toute la saison d'utilisation du bassin (la pompe filtrante et le clarificateur à UVC sont actifs).

- Le filtre n'est plus actif biologiquement lorsque la température de l'eau est inférieure à 50 °F (10 °C).
- Il faut mettre l'appareil hors service si la température de l'eau est inférieure à 47 °F (8 °C) ou au plus tard en cas de risque de gel. (→ Mise hors service/stockage pour l'hiver)
- La lampe UVC est une pièce d'usure. Remplacer la lampe UVC après une durée de fonctionnement donnée pour garantir une puissance de filtration optimale. (→ Remplacement de la lampe UVC)

Nettoyage et entretien

REMARQUE

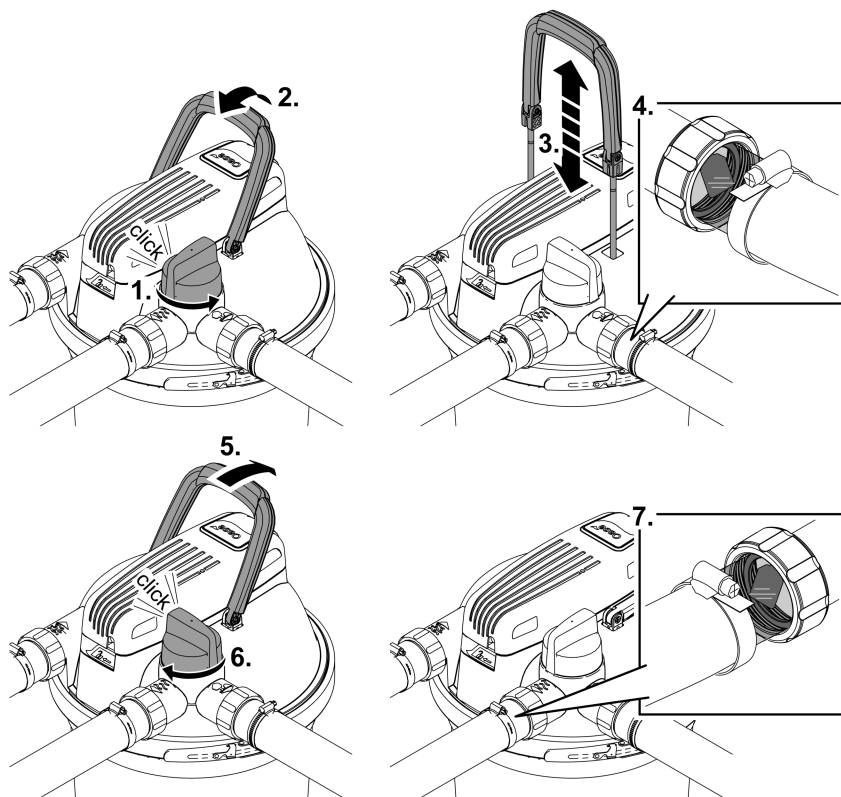
N'utiliser ni produits de nettoyage agressifs ni solutions chimiques. En effet, ces produits peuvent endommager le boîtier, altérer le fonctionnement de l'appareil et nuire aux animaux, aux plantes et à l'environnement.

- Nettoyez uniquement l'extérieur du boîtier à l'eau claire et en utilisant une brosse souple.

Nettoyage des éponges filtrantes

La fonction Easy-Clean sert à nettoyer les éponges filtrantes. Pendant le nettoyage, la pompe filtrante est mise sous tension pour évacuer l'eau sale du filtre sous pression.

- La manoeuvre de la vanne rotative évacue l'eau du réservoir vers le conduit d'écoulement de l'eau sale. Ainsi, l'eau sale ne reflue pas dans le bassin.
 - Retirer au préalable le bouchon d'obturation du flexible d'écoulement pour l'eau sale.
- L'exercice d'une traction sur la poignée de nettoyage comprime les éponges filtrantes. Les impuretés se détachent et sont entraînées avec l'eau dans le conduit d'écoulement de l'eau sale, par exemple dans un parterre.
- Les embouts à olive transparents permettent de contrôler le passage de l'eau et de voir dans le conduit d'écoulement de l'eau sale le degré de pollution de l'eau pendant l'épuration. Dès que l'eau est claire, repositionner la vanne rotative sur « Filtrage ».
- Après le nettoyage, obturer le flexible d'eau sale ou le conduit d'écoulement de l'eau sale avec le capuchon obturateur et le joint plat.



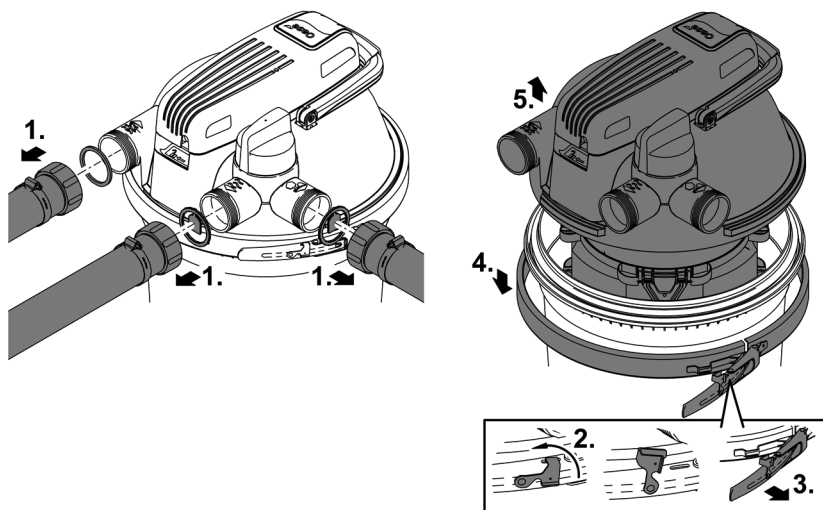
FCL0020

Retrait/mise en place du couvercle du filtre

Retrait du couvercle du filtre

Voici comment procéder :

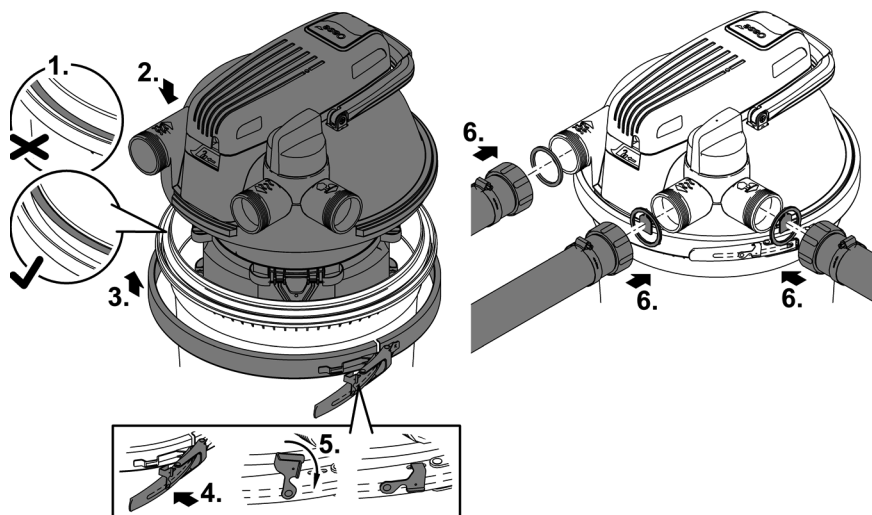
- Arrêter la pompe filtrante et débrancher la fiche secteur du clarificateur à UVC.
- Retirer tous les flexibles du couvercle du filtre (dévisser les embouts à olive).
- Desserrer le verrou de sûreté.
 - Utiliser une pince plate si le verrou de sûreté est difficile à manoeuvrer.
- Ouvrir la bague de serrage et retirer le couvercle du filtre.



FCL0018

Mise en place du couvercle du filtre

- Vérifier que le joint torique du réservoir est correctement placé sur le rebord du réservoir.
 - Humidifier le joint avec de l'eau ou le graisser le cas échéant pour faciliter l'insertion de la tête de filtre sur le réservoir.
- Insérer le couvercle du filtre de manière uniforme en appuyant fermement dessus jusqu'à la butée sur le réservoir.
 - Le couvercle du filtre doit reposer complètement et jusqu'à la butée sur le réservoir, sinon il est impossible de fermer la bague de serrage.
- Fixer le couvercle du filtre avec la bague de serrage et installer le verrou de sûreté.
 - Le verrou de sûreté empêche le desserrage accidentel de la bague de serrage et donc l'écoulement incontrôlé de l'eau du bassin.
 - Utiliser une pince plate si le verrou de sûreté est difficile à manoeuvrer.
- Installer tous les flexibles (visser les embouts à olive).



FCL0019

Nettoyage de l'appareil et lavage ou remplacement des éponges filtrantes

Les éponges filtrantes s'usent en raison des contraintes mécaniques et du vieillissement normal.

- ❗ Installer des éponges filtrantes neuves au début de la saison.

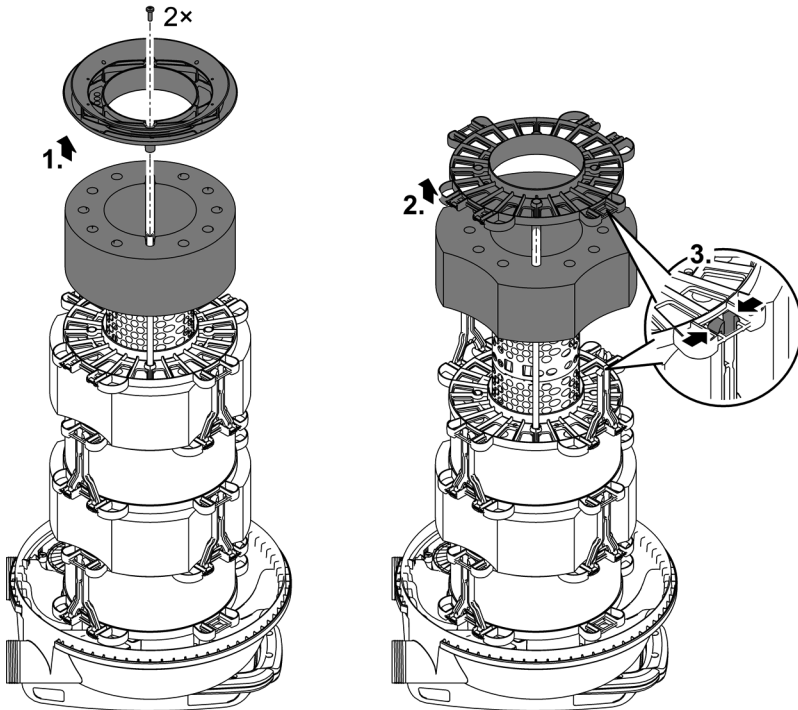
Démontage des éponges filtrantes

Prérequis :

- Le couvercle du filtre est enlevé. (→ Retrait du couvercle du filtre)

Retourner le couvercle du filtre et le déposer sur une surface souple et propre de manière à ce que les éponges filtrantes soient tournées vers le haut.

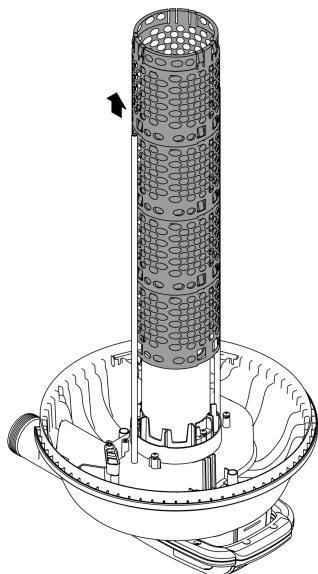
- Dévisser les deux vis, retirer le disque d'obturation et la première éponge filtrante.
- Pour chaque éponge filtrante suivante, desserrer les deux entretoises et retirer le disque d'écartement et l'éponge filtrante.



FCL0023

Nettoyage

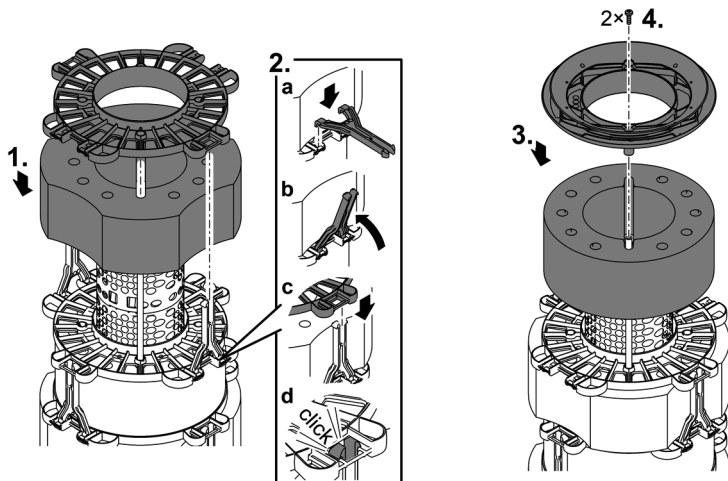
- Nettoyer le réservoir, la bague de serrage, le couvercle du filtre, le carter d'eau UVC et le tube grillagé avec un jet d'eau puissant.
 - Pour enlever le tube grillagé, il faut simultanément tirer dessus et le tourner dans le sens horaire.
- Laver les éponges filtrantes en les comprimant fortement sous l'eau courante.
 - Si besoin est, remplacer les éponges filtrantes.



FCL0030

Assemblage des éponges filtrantes

- Pousser les éponges filtrantes sur le tube grillagé dans l'ordre prévu. (→ Ordre de montage des éponges filtrantes)
- Poser sur chaque éponge filtrante un disque d'écartement et fixer chacun de ces disques avec deux entretoises.
 - Insérer l'entretoise dans le disque d'écartement jusqu'à la butée et repositionner l'entretoise par un léger mouvement de rotation.
- Installer le disque d'obturation sur la dernière éponge filtrante (violette, 20 ppi). Fixer le disque d'obturation sur les deux tiges de nettoyage avec les deux vis.
- Poser le couvercle du filtre sur le réservoir. (→ Mise en place du couvercle du filtre)



FCL0024

Ordre de montage des éponges filtrantes

	FiltoClear 3400	FiltoClear 5200	FiltoClear 8200
Éponges filtrantes			
	30 ppi	10 ppi	30 ppi
	10 ppi	30 ppi	10 ppi
	20 ppi	10 ppi	30 ppi
		20 ppi	10 ppi
		20 ppi	

Démontage/montage de la tête de l'appareil UVC

⚠ PRUDENCE

Le rayonnement ultraviolet de la lampe UVC peut provoquer des lésions oculaires et cutanées.

- ▶ Ne jamais utiliser la lampe UVC en dehors du boîtier ou dans un boîtier défectueux.
- ▶ Avant d'entamer les travaux de maintenance ou de remplacer la lampe UVC, débrancher l'appareil du réseau électrique.

⚠ PRUDENCE

Le verre de quartz et la lampe UVC sont cassables et risquent de causer des blessures par coupure.

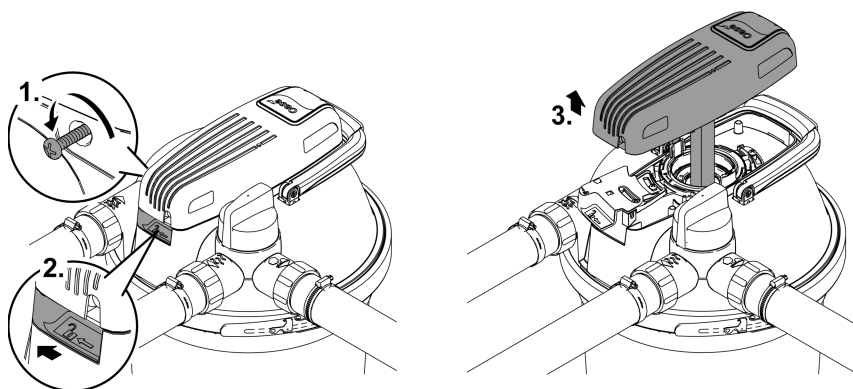
- ▶ Agir avec précaution lors des travaux sur le préclarificateur à UVC afin d'éviter toute blessure par coupure.
- ▶ Éviter de faire des secousses, des impacts ou des mouvements violents pour ne pas briser le verre.

❗ Pour des raisons de sécurité, la lampe UVC ne peut être mise sous tension que si le préclarificateur à UVC est correctement monté dans l'appareil.

Démontage de la tête de l'appareil UVC

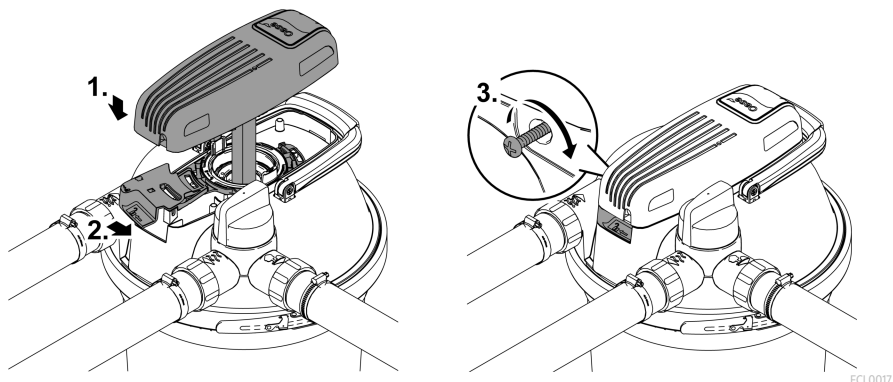
Voici comment procéder :

- Débrancher d'abord le cordon d'alimentation du clarificateur à UVC avant de retirer la tête de l'appareil à UVC.
- Retirer la vis de blocage, desserrer la bague d'ouverture et retirer la tête de l'appareil à UVC.
- S'il est impossible de retirer la tête de l'appareil à UVC, une dépression s'est formée dans le verre de quartz en raison du refroidissement de la lampe UVC.
 - Remède : Mettre le clarificateur à UVC sous tension. La chaleur de la lampe UVC réduit la dépression et la tête de l'appareil à UVC est chassée vers le haut avec un bruit d'aspiration. Débrancher le cordon d'alimentation du clarificateur à UVC et retirer la tête de l'appareil à UVC.



FCL0016

Montage de la tête de l'appareil UVC



Remplacement de la lampe UVC

La lampe UVC est une pièce d'usure. Remplacer la lampe UVC lorsqu'elle a atteint le nombre d'heures de service indiqué. Un rendement optimal du filtre est alors assuré.

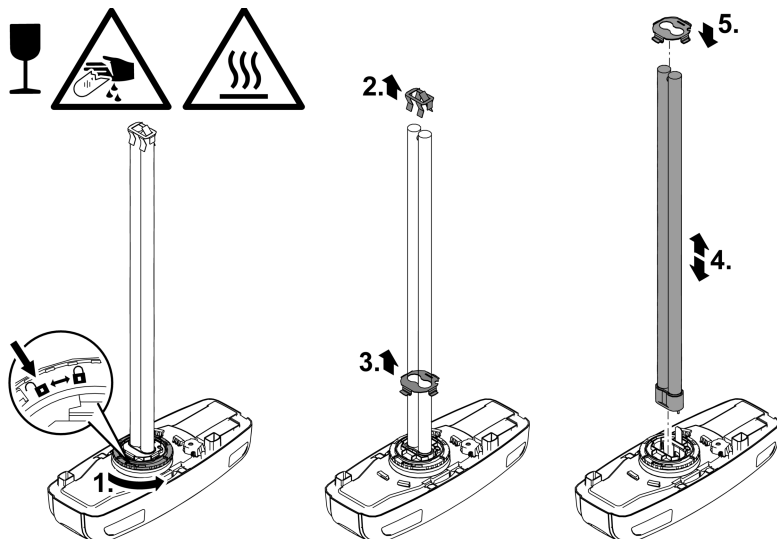
FiltoClear	Puissance de la lampe UVC	Remplacer la lampe UVC après
3400	24 W	8000 h (une saison d'utilisation du bassin)
5200	42 W (option 36 W)	42 W / 60 W : 12000 h
8200	60 W (option 55 W)	36 W / 55 W : 8000 h

Prérequis :

- La tête de l'appareil à UVC est démontée. (→ Démontage de la tête de l'appareil UVC)
- Employez uniquement des lampes UVC dont la désignation et la puissance correspondent aux indications fournies sur la plaque signalétique. (→ Caractéristiques techniques)

Voici comment procéder :

- Démontage : Tourner la bague à baïonnette jusqu'à la butée « verrou ouvert » pour pouvoir retirer la tôle de fixation et la lampe UVC.
 - Montage : Tourner la bague à baïonnette jusqu'à la butée « verrou fermé ». Sinon, il est impossible de monter la tête de l'appareil à UVC.
 - À la livraison, le tube de verre de la lampe UVC est équipé d'une protection de transport. La protection de la lampe n'est pas nécessaire au fonctionnement et n'a pas besoin d'être remise en place.
- i** En cas de besoin, retirer une protection de lampe encastrée dans le verre à quartz de la manière suivante :
- Démontez le verre à quartz. (→ Nettoyage/remplacement du verre à quartz)
 - Tapoter délicatement et régulièrement l'ensemble couvercle du rotor plus verre à quartz sur une surface ferme. La protection de lampe sort progressivement du verre à quartz.
- i** Les lampes UVC d'OSRAM ne peuvent être utilisées que sans tôle de fixation. OASE conseille par conséquent d'utiliser des lampes UVC Philips.



FCL0022

Nettoyage/remplacement du verre à quartz

Le verre à quartz est fixé dans la tête du filtre au moyen d'un couvercle de rotor ; ainsi, l'eau ne peut pas s'échapper de l'intérieur du réservoir.

- Remplacer le verre à quartz s'il est rayé ou opaque. Le pouvoir nettoyant de la lampe UVC est insuffisant.

⚠ PRUDENCE

Le verre de quartz et la lampe UVC sont cassables et risquent de causer des blessures par coupure.

- ▶ Agir avec précaution lors des travaux sur le préclarificateur à UVC afin d'éviter toute blessure par coupure.
- ▶ Éviter de faire des secousses, des impacts ou des mouvements violents pour ne pas briser le verre.

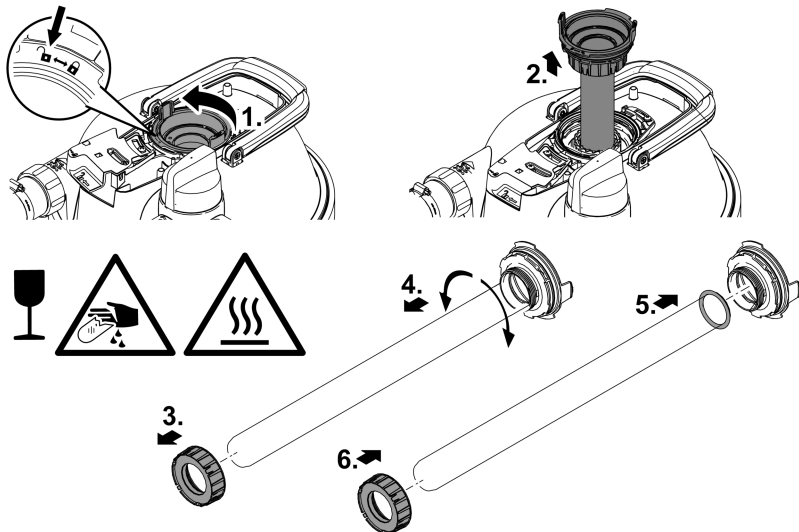
Prérequis :

- La tête de l'appareil à UVC est démontée. (→ Démontage de la tête de l'appareil UVC)

Voici comment procéder :

- Mettre la pompe filtrante hors tension.
- Déverrouiller le couvercle de rotor (fermeture à baïonnette sur « verrou ouvert »).
- Retirer le couvercle de rotor avec le verre à quartz et, s'il est présent, le rotor de nettoyage.
 - Installer la vanne rotative sur le conduit d'écoulement de l'eau sale pour éliminer la dépression qui aurait pu se former dans le réservoir.
- Nettoyer le verre à quartz.
 - En cas de remplacement du verre à quartz :
 - Desserrer la vis de serrage et retirer le verre à quartz avec précaution par un léger mouvement de pivotement et de rotation.
 - Nettoyer le joint torique, le remplacer s'il est endommagé.
 - Graisser le joint torique avec une graisse courante dans le commerce.
 - Enfiler le joint torique sur le col du verre à quartz. (Ne pas passer sur le verre afin d'éviter les résidus de graisse sur le verre de quartz.)
 - Installer le verre à quartz sur le couvercle de rotor et serrer la vis de serrage jusqu'à la butée, sinon le couvercle du rotor ne pourra pas être mis en place.
- Vérifier l'usure du profil du rotor de nettoyage. (→ Remplacement du rotor de nettoyage)
- Lors du montage du verre à quartz, tourner le couvercle de rotor jusqu'à la butée (fermeture à baïonnette sur « verrou fermé »). Sinon, il est impossible de monter la tête de l'appareil à UVC.

i De la condensation peut se former dans le verre à quartz. La formation de condensation est inévitable et n'a aucune influence sur le fonctionnement et la sécurité.



FCL0021

Remplacement du rotor de nettoyage

Sur le modèle FiltoClear 5200 und FiltoClear 8200, un rotor de nettoyage situé au-dessus du verre à quartz et entraîné par le flux d'eau nettoie le verre à quartz.

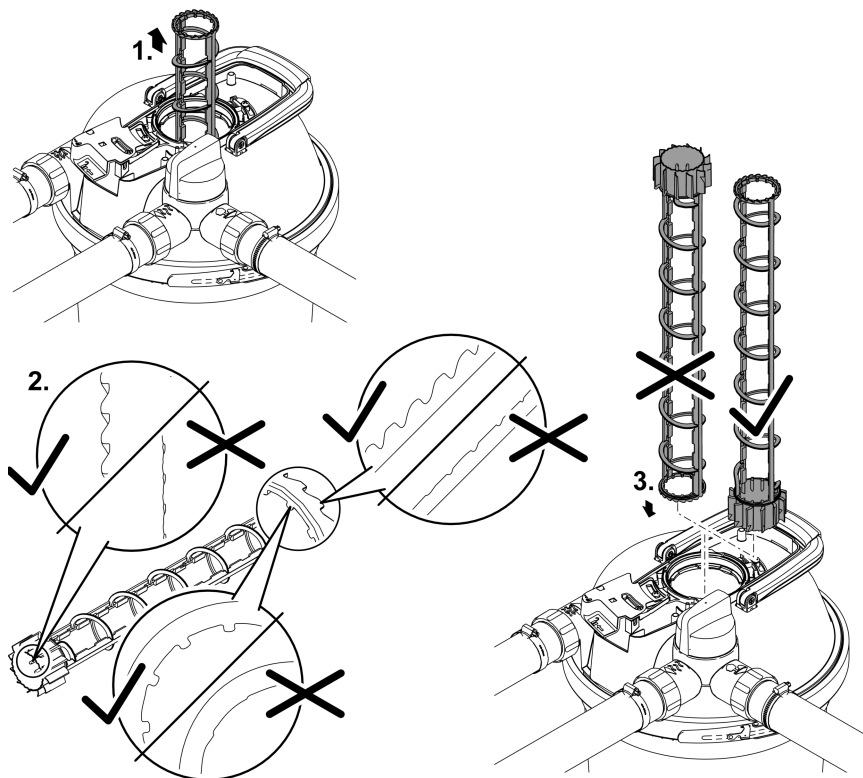
- Remplacer le rotor de nettoyage s'il est usé.

Prérequis :

- Le verre à quartz est démonté. (→ Nettoyage/remplacement du verre à quartz)

Voici comment procéder :

- Sur le rotor de nettoyage, contrôler l'usure du profil sur les deux faces avant et les surfaces intérieures.
 - En cas de profil usé, le rotor de nettoyage est grippé et doit être remplacé.
- Installer le rotor de nettoyage dans le carter d'eau UVC.



FCL0029

Pièces d'usure

- Mousses filtrantes
- lampe UVC, verre quartz et joint torique pour le verre quartz
- Rotor de nettoyage
- Vis de serrage de rechange
- Raccord de tube FiltoClear 5200, 8200

Mise hors service/stockage pour l'hiver

Mettre l'appareil hors service si la température de l'eau est inférieure à 46 °F (+8 °C) ou au plus tard en cas de risque de gel.

- Retirer un maximum d'eau du réservoir, des tuyaux et des raccords.
- Nettoyer minutieusement toutes les pièces, vérifier si l'appareil est endommagé et remplacer les pièces endommagées.
- Stocker le couvercle du filtre, le clarificateur à UVC et les milieux filtrants au sec et hors gel.
— Le lieu de stockage doit être hors de portée des enfants.
- Couvrir le réservoir de telle sorte que l'eau de pluie ne puisse pas y pénétrer.
- Sécuriser l'emplacement du réservoir enterré de manière à ce qu'il n'y ait aucun risque d'accident pour les personnes ou les animaux.

Dépannage

FR

Dérangement	Cause éventuelle	Solution
Aucun écoulement d'eau par le conduit d'écoulement de l'eau	La pompe filtrante n'est pas activée	Activer la pompe filtrante
	Les conduites d'alimentation sont bouchées	Contrôler les conduites d'alimentation et les nettoyer en cas de besoin
Le débit est insuffisant	La vanne rotative n'est pas sur « Filtrage de l'eau »	Positionner la vanne rotative sur « Filtrage de l'eau »
	Les éponges filtrantes sont bouchées	Nettoyer les éponges filtrantes
Le voyant lumineux de la tête de l'appareil à UVC ne s'allume pas	La puissance de la pompe filtrante est insuffisante	Utiliser une pompe filtrante de puissance supérieure
	Le branchement secteur est défectueux ou la fiche de secteur n'est pas branchée	Contrôler le branchement secteur (cordon d'alimentation, fusible de secteur)
Puissance de filtration insatisfaisante	Le contacteur de température a mis la lampe UVC hors tension	Laisser la lampe UVC refroidir
	La lampe UVC est défectueuse	Remplacer la lampe UVC
Le filtre fonctionne pendant une durée trop courte	La vanne rotative n'est pas sur « Filtrage de l'eau »	Positionner la vanne rotative sur « Filtrage de l'eau »
	L'eau ou le bassin est extrêmement sale	Nettoyer soigneusement le bassin
Le rotor de nettoyage tourne en forçant	Nombre de poissons et faune piscicole excessifs	Respecter les valeurs de référence
	Les éponges filtrantes sont encrassées	Nettoyer les éponges filtrantes
Le rotor de nettoyage ne tourne pas en raison de l'encrassement	Le verre à quartz est encrassé	Nettoyer le verre à quartz et le rotor de nettoyage
	Le rotor de nettoyage ne tourne pas en raison de l'encrassement	Vérifier si le rotor de nettoyage est usé et le remplacer le cas échéant
La limite d'usure de la lampe UVC est atteinte (puissance de rayonnement insuffisante)		<ul style="list-style-type: none"> Nettoyer le filtre Nettoyer le rotor de nettoyage Retirer le gravier du carter d'eau UVC et des éponges filtrantes Si le dérangement se produit souvent : <ul style="list-style-type: none"> Positionner la pompe plus en hauteur pour éviter qu'elle n'aspire des particules grossières sur le fond du bassin Utiliser le sac de protection de pompe OASE pour la pompe filtrante afin d'éviter l'aspiration de particules grossières
		Remplacer la lampe UVC

Caractéristiques techniques

Données d'appareils

FilitoClear			3400	5200	8200	
Clarificateur UVC	Tension de raccordement	V CA	120	120	120	
	Fréquence du réseau	Hz	60	60	60	
	Puissance absorbée	W	24	42	60	
	Capacité UVC	W	24	42	60	
	Lampe UVC		24 W TC-L(UV-C)	36 W/42 W TC-L(UV-C)	55 W/60 W TC-L(UV-C)	
	Indice de protection		IP68	IP68	IP68	
	Profondeur d'immersion maximale admissible dans l'eau	pieds		0,3	0,3	0,3
		m		0,1	0,1	0,1
	Longueur du câble secteur	pieds		16,5	16,5	16,5
m			5,0	5,0	5,0	
Débit minimal	gph		1200	1725	2250	
	l/h		4500	6500	8500	
Débit maximal	gph		2400	3450	4500	
	l/h		9000	13000	17000	
Pression de la pompe maximale admissible	psi		8,7	8,7	8,7	
	bar		0,6	0,6	0,6	
Pression de service maximale admissible	psi		2,9	2,9	2,9	
	bar		0,2	0,2	0,2	
Entrée	Raccordement		G2	G2	G2	
	Embout à olive	pouce	1½, 2	1½, 2	1½, 2	
		mm	38, 50	38, 50	38, 50	
Sortie	Raccordement		G2	G2	G2	
	Embout à olive transparent	pouce	1½, 2	1½, 2	1½, 2	
		mm	38, 50	38, 50	38, 50	
Sortie des impu- retés	Raccordement		G2	G2	G2	
	Embout à olive transparent	pouce	1½, 2	1½, 2	1½, 2	
		mm	38, 50	38, 50	38, 50	
Nombre d'éponges filtrantes rouges			1	1	2	
Nombre d'éponges filtrantes bleues			1	2	2	
Nombre d'éponges filtrantes violettes			1	1	1	
Convient pour un volume de bassin maximal	gal		3400	5200	8200	
	l		13000	19000	31000	
Convient pour un volume de bassin maximal avec poissons	gal		1850	2650	4000	
	l		7000	10000	15000	
Convient pour un volume de bassin maximal avec carpes Koi	gal		-	1350	2000	
	l		-	5000	7500	

FiltoClear			3400	5200	8200
Température ambiante admissible pendant l'exploitation		°F	+32 ... +95	+32 ... +95	+32 ... +95
		°C	0 à +35	0 à +35	0 à +35
Dimensions	Longueur	in	15,4	15,4	15,4
		mm	391	391	391
	Largeur	pouce	15,0	15,0	15,0
		mm	382	382	382
	Hauteur	pouce	19,3	24,1	28,8
		mm	490	611	732
Poids	sans eau	livres	19,4	21,2	22,7
		kg	8,8	9,6	10,3
	avec eau	livres	79,4	103,6	125,7
		kg	36	47	57

Valeurs admissibles de l'eau

Eau douce, eau de bassin		
Valeur pH		6,0 à 9,0
Dureté	ppm	0,45 à 0,84
	°dH	8 à 15
Chlore libre	moz/gal	<0,06
	mg/l	<0,5
Teneur en sel	%	<0,5
Température	°F	+39 à +95
	°C	+4 à +35

Recyclage

REMARQUE

Il est interdit d'éliminer cet appareil avec les déchets ménagers.

- ▶ Mettre l'appareil au rebut par le biais du système de reprise prévu à cet effet.
- ▶ Mettre la lampe UVC au rebut par le biais du système de reprise prévu à cet effet.
- ▶ Mettez l'appareil hors d'usage en sectionnant les câbles.

Instrucciones originales. Las instrucciones pertenecen al equipo y siempre se tienen que entregar junto con el equipo a la otra persona.

ADVERTENCIA

- ▶ Separe todos los equipos eléctricos que se encuentran en el agua de la red de corriente antes de tocar el agua. De lo contrario existe riesgo de lesiones graves o muerte por choque eléctrico.
 - ▶ Este equipo puede ser utilizado por niños a partir de 8 años y mayores así como por personas con capacidades físicas, sensoriales o mentales reducidas o que no dispongan de la experiencia y los conocimientos necesarios, si se les supervisan o instruyen sobre el uso seguro del equipo y los peligros resultantes. Los niños no deben jugar con el equipo. Está prohibido que los niños ejecuten la limpieza y el mantenimiento sin supervisión.
-

Índice

¿Preguntas, problemas, piezas que faltan?	62
Indicaciones de seguridad	62
Conexión eléctrica.....	62
Funcionamiento seguro.....	62
Uso conforme a lo prescrito	63
Descripción del producto.....	64
Vista sumaria.....	64
Piezas de conexión para el montaje.....	66
Descripción del funcionamiento.....	67
Bomba de filtro recomendada	67
Símbolos en el equipo	68
Emplazamiento y conexión	68
Emplazamiento del equipo.....	68
Establecimiento de las conexiones.....	70
Puesta en marcha	72
Conectar/ desconectar el clarificador UVC	73
Funcionamiento	73
Limpieza y mantenimiento.....	73
Limpieza de las esponjas de filtrado	74
Quitar/ colocar la tapa del filtro	75
Limpieza del equipo y lavado o sustitución de las esponjas de filtrado.....	77
Desmontar/ montar la cabeza del equipo UVC	80
Sustitución de la lámpara UVC	81
Limpiar/ sustituir el vidrio de cuarzo	82
Sustituir el rotor de limpieza	84
Piezas de desgaste.....	85
Puesta fuera de servicio/ almacenamiento durante el invierno.....	85
Eliminación de fallos	86
Datos técnicos.....	87
Datos de equipos.....	87
Valores del agua permisibles	88
Desecho.....	88

¿Preguntas, problemas, piezas que faltan?

Antes de devolver el equipo a su distribuidor llámenos al número de teléfono 330-274-8317 de lunes a viernes o envíenos un mensaje electrónico a customerservice@atlantic-oase.com.

Indicaciones de seguridad

Conexión eléctrica

- Para la instalación eléctrica en el exterior se aplican prescripciones especiales. Sólo un electricista especializado puede ejecutar la instalación eléctrica.
 - El electricista especializado está cualificado por su formación profesional, conocimientos y experiencias, y facultado para realizar instalaciones eléctricas en el exterior. El electricista especializado puede reconocer posibles peligros y cumple las normas, prescripciones y disposiciones regionales y nacionales.
 - En caso de preguntas y problemas póngase en contacto con un electricista especializado.
- Conecte el equipo sólo cuando los datos eléctricos del equipo coinciden con los datos de la alimentación de corriente.
- Conecte el aparato únicamente a una toma de corriente correctamente instalada.
- La unidad debe estar protegida por un dispositivo de corriente residual (RCD) con una corriente residual nominal máxima de 30 mA.
- Las líneas de prolongación y distribuidores de corriente (p. ej. enchufes múltiples) deben ser apropiados para el empleo a la intemperie (protegido contra salpicaduras de agua).
- Proteja los enchufes y conectores abiertos de la humedad.

Funcionamiento seguro

- No emplee el equipo cuando las líneas eléctricas o la caja están dañadas.
- Deseche el equipo si está dañado el cable de conexión de red. El cable de conexión de red no se puede sustituir.
- No transporte ni tire el equipo por la línea eléctrica.
- No realice nunca modificaciones técnicas en el equipo.
- Ejecute en el equipo sólo los trabajos descritos en estas instrucciones.
- Emplee sólo piezas de recambio originales y accesorios originales.
- Tienda las líneas de forma que estén protegidas contra daños y lesiones por tropiezo de personas.
- En caso de problemas póngase en contacto con el servicio al cliente autorizado o con OASE.

ADVERTENCIA

Lesiones graves o la muerte por tensión eléctrica peligrosa son posibles en un equipo eléctrico en el agua que se opera con una tensión $U > 12 \text{ V CA}$ o $U > 30 \text{ V CC}$.

- ▶ Desconecte todos los equipos eléctricos en el agua antes de entrar en ella.
- ▶ Separe el equipo de la red de corriente antes de comenzar los trabajos en el equipo.

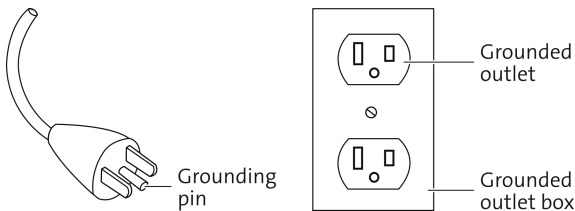
⚠ ADVERTENCIA

En caso de una conexión inadecuada de la puesta a tierra del equipo existe el peligro de una descarga eléctrica.

El equipo tiene que estar puesto a tierra para que en caso de un funcionamiento erróneo o fallo la corriente eléctrica se derive a través de la puesta a tierra y se reduzca el riesgo de una descarga eléctrica.

Instrucciones para la puesta a tierra:

- ▶ El equipo tiene un cable de red con conductores de puesta a tierra y una clavija con perno de tierra. La clavija se tiene que enchufar en un tomacorriente apropiado que esté instalado y puesto a tierra conforme a las prescripciones y reglamentos locales y asegurado mediante un interruptor diferencial (GFCI).
- ▶ Está prohibido modificar la clavija. Encargue a un electricista especializado la instalación de un tomacorriente apropiado si la clavija no encaja en el tomacorriente.
- ▶ Póngase en contacto con un electricista especializado si tiene dudas que el equipo está correctamente puesto a tierra.



Uso conforme a lo prescrito

Emplee el producto descrito en estas instrucciones sólo de la forma siguiente:

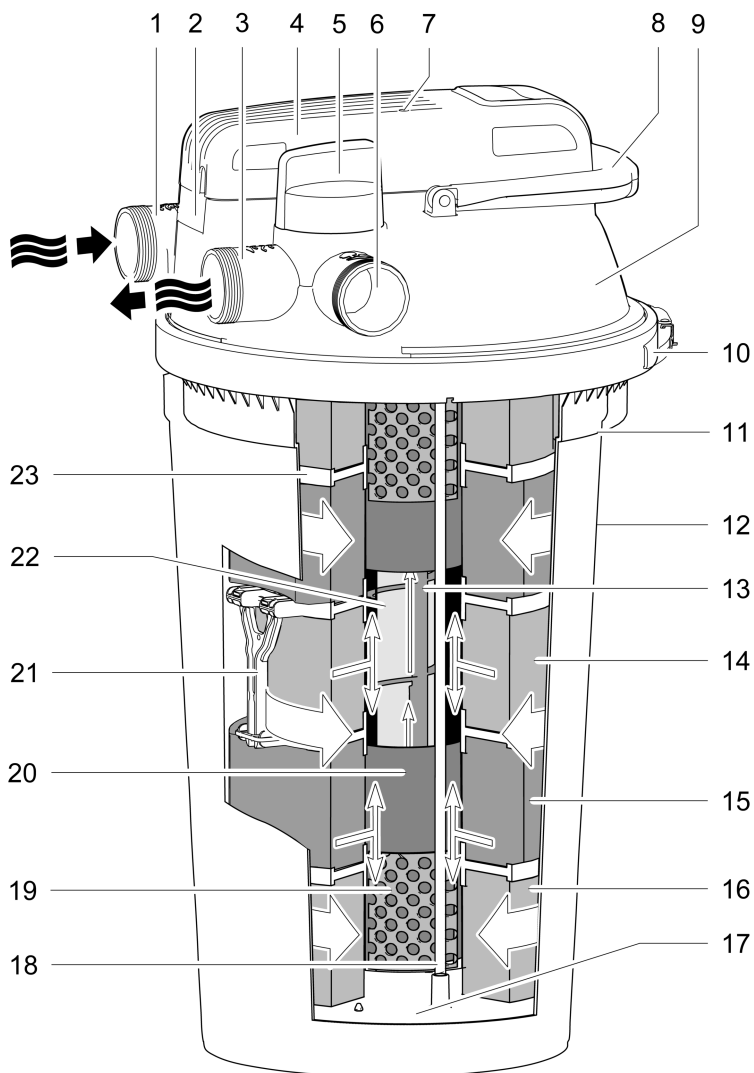
- Para la limpieza mecánica y biológica de estanques de jardín
- De acuerdo con los datos técnicos. (→ Datos técnicos)

Para el equipo son válidas las siguientes limitaciones:


- Este producto no se apropia para la iluminación general, sino sólo está previsto para el uso previsto descrito.
- No emplee nunca la lámpara UVC fuera de la caja o para otros fines. La radiación UVC es peligrosa para los ojos y la piel, también en pequeña dosis.
- Está prohibido operar con otros líquidos distintos del agua.
- No emplee el equipo en combinación con productos químicos, alimentos y sustancias fácilmente inflamables o explosivos.
- No opere nunca sin circulación de agua.
- No emplee el equipo para fines industriales.


Descripción del producto


Vista sumaria




FCL0007


- 1  Entrada del agua del estanque a limpiar
 - Conexión G2


- 2  Anillo de abertura con tornillo de seguridad, para el enclavamiento de la cabeza del equipo UVC
 - El anillo de abertura se tiene que soltar para sacar la cabeza del equipo UVC.

- 3  Salida del agua del estanque limpia
 - Conexión G2

- 4 Cabeza del equipo UVC con controlador de temperatura
 - El equipo clarificador UVC se desconecta en caso de sobrecalentamiento y se conecta de nuevo automáticamente después del enfriamiento.

- 5 Válvula giratoria para conmutar entre la salida de agua y la salida de agua sucia
 -  Filtrar el agua y radiación UVC

-  Limpieza de las esponjas de filtrado

- 6  Salida de agua sucia para el agua sucia cuando se limpian las esponjas de filtrado
 - Conexión G2

- 7 Lámpara de control para el control del funcionamiento del equipo clarificador UVC

- 8 Empuñadura de limpieza
 - Al tirar se comprimen las esponjas de filtrado y se eliminan las partículas de suciedad.

- 9 Tapa de filtro

- 10 Anillo de sujeción para fijar la tapa del filtro en el recipiente

- 11 Marcado para la profundidad de entierro máxima

- 12 Recipiente

- 13 Rotor de limpieza, limpia el vidrio de cuarzo durante el funcionamiento
 - Sólo en FiltoClear 5200, 8200

- 14 Esponja de filtrado azul (10 ppi)

- 15 Esponja de filtrado roja (30 ppi)

- 16 Esponja de filtrado lila (20 ppi)

- 17 Disco de cierre para las esponjas de filtrado, está unido con las dos barras de limpieza

- 18 Barra de limpieza, une la empuñadura de limpieza y el disco de cierre

- 19 Tubo de rejilla, separa las esponjas de filtrado de la carcasa de agua UVC

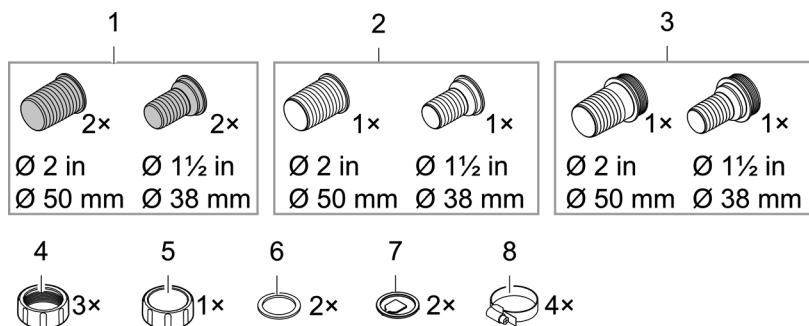
- 20 Carcasa de agua UVC, guía el agua a la lámpara UVC

- 21 Distanciadores que unen dos discos distanciadores
 - Los distanciadores evitan que las esponjas de filtrado se compriman por el peso de las esponjas de filtrado que están encima.

- 22 Vidrio de cuarzo con lámpara UVC dentro

- 23 Disco distanciador, se encuentra entre dos esponjas de filtrado

Piezas de conexión para el montaje



FCL0012

- 1 Boquilla de manguera transparente
 - Empleo: Salida de agua, salida de agua sucia

- 2 Boquilla de manguera negra
 - Empleo: Entrada de agua

- 3 Boquilla de manguera negra con rosca exterior G2
 - Empleo: Extremo abierto de la manguera de agua sucia, la tapa de cierre se enrosca en la rosca exterior

- 4 Tuercas racor G2 para montar las boquillas de manguera

- 5 Tapa de cierre G2 para cerrar la salida de agua sucia

- 6 Junta plana para la boquilla de manguera negra y tapa de cierre

- 7 Medidor de paso para la boquilla de manguera transparente

- 8 Abrazadera de manguera

Descripción del funcionamiento

La bomba de filtro presiona el agua en el recipiente hermético en el cual pasa por diferentes fases de limpieza y retorna después al estanque.

Fase de limpieza "Filtrado"

El agua fluye por las esponjas de filtrado. Las esponjas de filtrado retienen la suciedad mecánica. Las partículas en suspensión y el fango activo bajan al fondo del recipiente. Bacterias útiles colonizan las esponjas de filtrado y limpian el agua de forma biológica. Su actividad empieza a partir de una temperatura del agua de +50 °F (+10 °C).

Esponja de filtrado	Características
Azul (10 ppi)	Alta velocidad de circulación
Lila (20 ppi)	Colonización de bacterias para la nitrificación, que transforman el amonio primero en nitrito y después en nitrato
Rojo (30 ppi)	Más baja velocidad de circulación Colonización de bacterias para la nitrificación y la desnitrificación que transforman el nitrato en nitrógeno

Fase de limpieza "Radiación UVC"

El agua se somete a la luz UV-C del clarificador UVC. Las algas en suspensión se destruyen y los agentes patógenos se eliminan.

Bypass

El bypass garantiza que sólo aprox. el 70 % del agua se someta a la luz UV-C. De esta forma se alcanza una dosis de radiación suficiente incluso con un caudal alto.

Efecto de limpieza biológica

El efecto máximo de limpieza biológica se logra cuando las esponjas de filtrado están completamente colonizadas por bacterias de filtrado. En las esponjas de filtrado nuevas, la colonización puede durar algunas semanas. La colonización se puede acelerar considerablemente adicionando bacterias de inicio.

Limpieza de las esponjas de filtrado

El agua sucia producida durante la limpieza de las esponjas de filtrado se puede emplear para fertilizar el jardín.

Bomba de filtro recomendada

	FiltroClear		
	3400	5200	8200
AquaMax Eco Premium	2000	3000	4000

Símbolos en el equipo



Lea las instrucciones de uso.

Emplazamiento y conexión

Emplazamiento del equipo

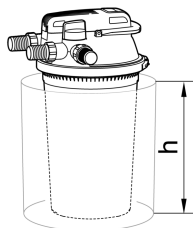
Tenga en cuenta para su planificación:

- En caso de operación en un estanque para nadar: Emplace el equipo a una distancia mínima de 6,6 pulgadas (2 m) al agua.
- En caso de operación en un estanque: El equipo se puede colocar directamente en el borde del estanque.
- Proteja el filtro de presión contra la radiación solar directa.
- Tienda la manguera de retorno en el estanque de forma que el agua retorne por ejemplo a través de un riachuelo al estanque. De esta forma se aumenta adicionalmente el contenido de oxígeno del agua.
- La entrada en el estanque debe estar como máximo 6,6 pies (2 m) por encima de la tapa del filtro.

Enterrar el filtro de presión

Un recipiente enterrado está apenas visible. La cubierta disponible como accesorio FiltoCap gris piedra (n.º de art. 91645) para la tapa del filtro se integra de forma óptima en el paisaje del estanque.

- Excave un hueco cerca del estanque en el que se emplaza el recipiente hasta la profundidad de entierro máxima.
- La base debe ser estable y horizontal.



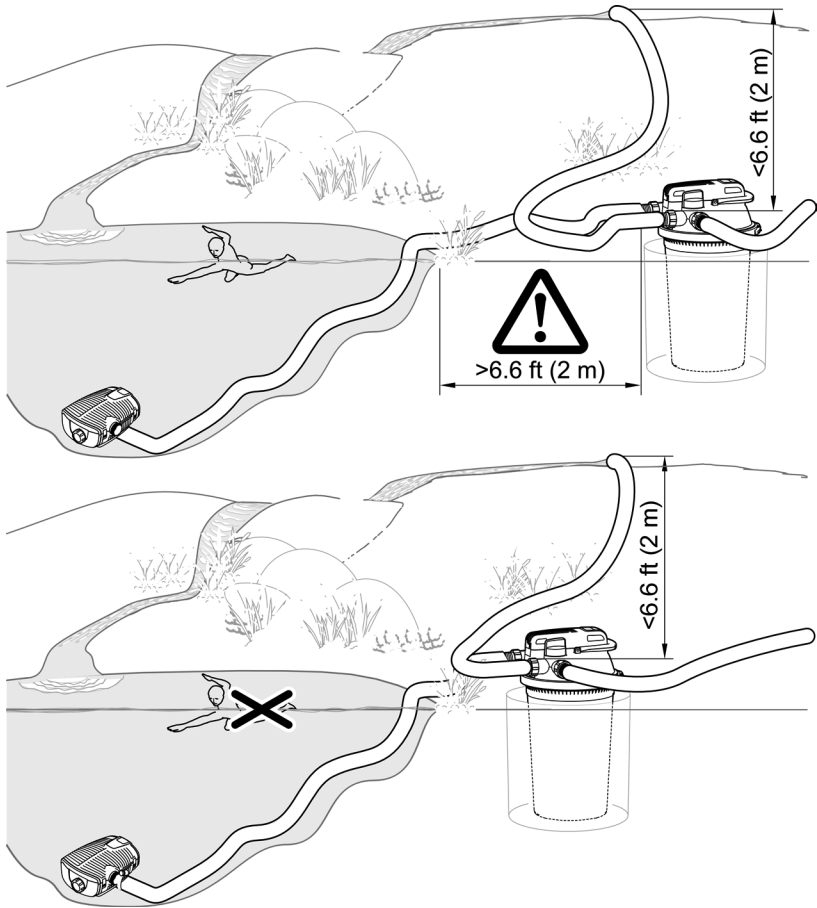
FiltoClear	Profundidad de entierro h
3400	0,8 pies (0,24 m)
5200	1.2 pies (0,36 m)
8200	1.6 pies (0,48 m)

Emplazar el filtro de presión al nivel del suelo

Si no se entierra el filtro de presión, colóquelo en un lugar protegido de la vista, p. ej. escondido detrás de arbustos.

- Emplace el equipo cerca del estanque.
- La base debe ser estable y horizontal.

ES



FCL0011

Establecimiento de las conexiones

En el filtro de presión se pueden conectar mangueras con un diámetro de 1½ pulgadas (38 mm) o 2 pulgadas (50 mm). El suministro incluye las correspondientes boquillas de mangueras.

- ❶ Emplee mangueras con un diámetro de 2 pulgadas (50 mm) para reducir las pérdidas de presión en las mangueras al mínimo.
- ❶ Si se emplea un activador de filtrado para la puesta en marcha, llénelo en el recipiente antes de ejecutar los siguientes pasos de montaje.
 - La tapa del filtro se puede quitar más fácilmente si se quitan antes todas las mangueras en la tapa del filtro.

Conexión de la entrada

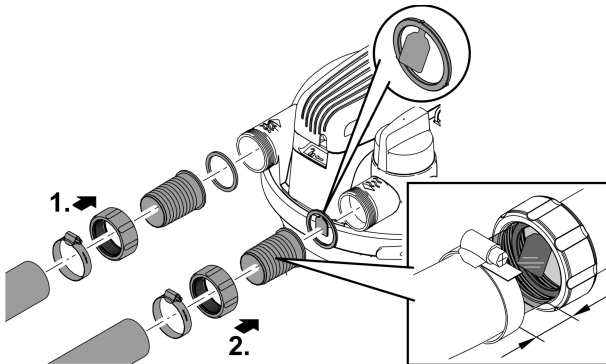
Emplee para la conexión entre la salida de la bomba de filtro y la entrada del filtro de presión sólo mangueras de presión que estén aprobadas como mínimo para la presión máxima de la bomba.

- Fije la manguera en una boquilla de manguera siempre con una abrazadera de manguera.

Conectar la salida

Emplee la boquilla de manguera transparente con medidor de paso. A través de la boquilla de manguera transparente se puede evaluar la calidad del agua después del filtrado. En el medidor de paso se puede reconocer el flujo del agua.

- Empuje la manguera en la boquilla de manguera de modo que queden libres dos segmentos en la boquilla de manguera.
 - Esto le proporciona un campo de visión suficientemente amplio en la boquilla de la manguera.
- Fije la manguera en una boquilla de manguera siempre con una abrazadera de manguera.



FCL0014

Conectar la salida de agua sucia

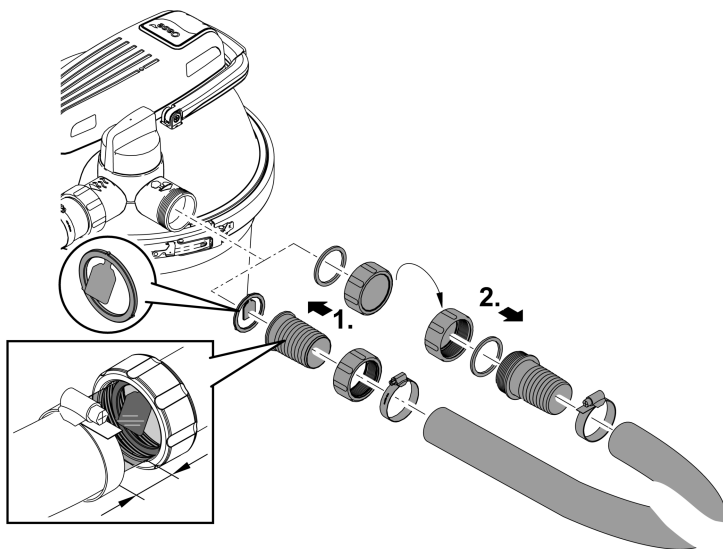
El agua sucia producida durante la limpieza se puede utilizar para fertilizar. Conecte una manguera y tiéndala hasta un punto adecuado (p. ej. un arriate).

Emplee la boquilla de manguera transparente con medidor de paso. A través de la boquilla de manguera transparente se puede evaluar el grado de suciedad del agua a la limpieza de las esponjas de filtrado. En el medidor de paso se puede reconocer el flujo del agua.

- Empuje la manguera en la boquilla de manguera de modo que queden libres dos segmentos en la boquilla de manguera.
 - Esto le proporciona un campo de visión suficientemente amplio en la boquilla de la manguera.
- Fije la manguera en una boquilla de manguera siempre con una abrazadera de manguera.
- Monte en la salida de la manguera la boquilla de manguera negra con la rosca exterior G2. Cierre la boquilla de manguera con la tapa de cierre y la junta plana.

INDICACIÓN

Cierre la salida de suciedad o la salida de la manguera conectada con la tapa de cierre y la junta plana. De esta forma se evita una vaciado no intencionado del estanque. Quite la tapa de cierre sólo para evacuar el agua sucia.



FCL0028

Puesta en marcha

INDICACIÓN

El equipo se destruye si se opera con un atenuador de luz. Tiene componentes eléctricos sensibles.

► No conecte el equipo a una alimentación de corriente con regulación de voltaje.

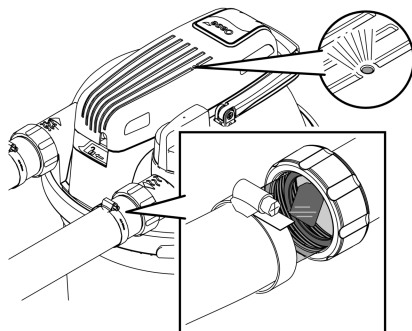
- ❗ Las bacterias de inicio puramente biológicas Oase AquaActiv BioKick activan la biología del filtro y producen el pleno rendimiento del filtro de su estanque en unas pocas semanas. Comienzan de inmediato con la desintoxicación del nitrito, amonio y amoniaco. Recomendamos llenar las bacterias Oase AquaActiv BioKick en el recipiente
- a la primera puesta en funcionamiento,
 - después del lavado manual o la sustitución de las esponjas de filtrado,
 - después de una larga puesta fuera de funcionamiento o a la nueva puesta en funcionamiento después de la pausa de invierno.

Secuencia de la puesta en funcionamiento:

1. Llene las bacterias Oase AquaActiv BioKick en el recipiente si fuera necesario. (→ Quitar/ colocar la tapa del filtro)
2. Controle el asiento fijo de las mangueras, la tapa de cierre para la salida del agua sucia y el anillo de sujeción con el pasador de seguridad.
3. Ponga la válvula giratoria a "Filtrar el agua".
4. Conecte la bomba del estanque.
5. Conecte el clarificador UVC sólo cuando salga agua en la salida de agua. (→ Conectar/ desconectar el clarificador UVC)
 - Nunca opere el clarificador UVC sin flujo de agua.
 - Si se emplea Oase AquaActiv BioKick, el clarificador UVC tiene que permanecer desconectado 24 horas. De esta forma se alcanza un efecto óptimo de las bacterias de inicio.

Conectar/ desconectar el clarificador UVC

- **Conexión:** Enchufe la clavija de red en el tomacorriente.
 - El equipo se conecta de inmediato.
 - La lámpara de control se ilumina.
 - En el medidor de paso en la salida se puede reconocer el flujo del agua.
- **Desconexión:** Saque la clavija de red del tomacorriente.



FCL0015

Funcionamiento

El filtro de presión puede estar en funcionamiento durante toda la temporada del estanque (la bomba de filtro y el clarificador UVC están conectados).

- La biología del filtro ya no está activa a temperaturas del agua por debajo de 50 °F (10 °C) .
- El equipo se tiene que poner fuera de servicio si la temperatura del agua baja por debajo de 47 °F (8 °C) o a más tardar cuando se esperen heladas. (→ Puesta fuera de servicio/ almacenamiento durante el invierno)
- La lámpara UVC es una pieza de desgaste. Sustituya la lámpara UVC después de un determinado tiempo de funcionamiento para garantizar el rendimiento óptimo del filtro. (→ Sustitución de la lámpara UVC)

Limpieza y mantenimiento

INDICACIÓN

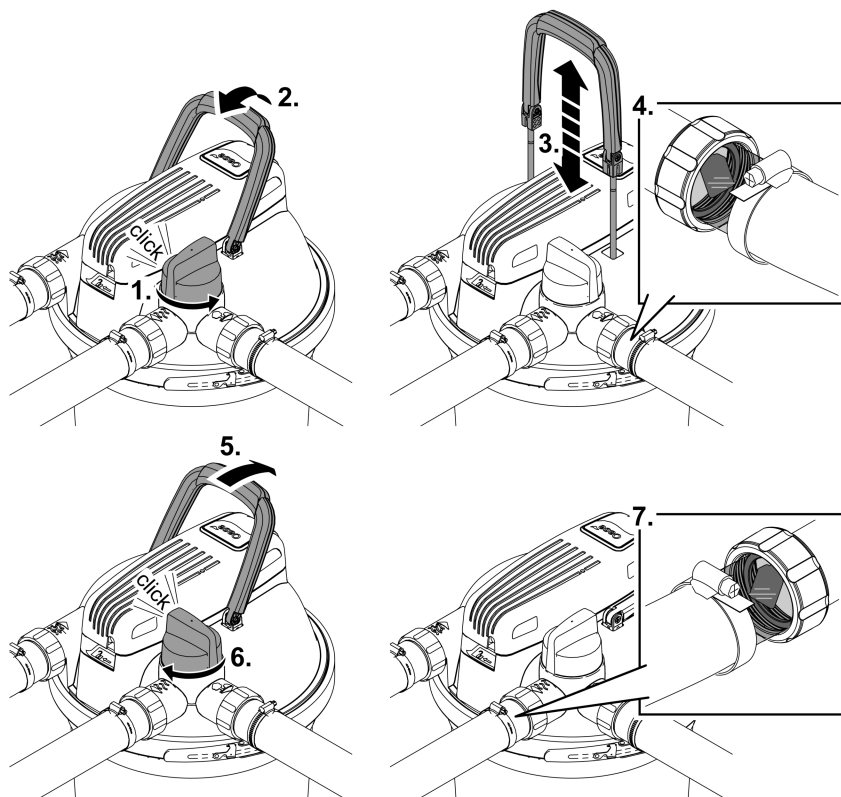
No emplee productos de limpieza agresivos ni soluciones químicas. Estos productos pueden dañar la carcasa, mermar el funcionamiento del equipo y dañar a los animales, las plantas y el medio ambiente.

- Limpie la carcasa sólo por fuera con agua clara y un cepillo suave.

Limpieza de las esponjas de filtrado

Con la función Easy-Clean se limpian las esponjas de filtrado. La bomba de filtro está conectada durante la limpieza para que el agua sucia se evacue del filtro de presión.

- Girando la válvula giratoria se guía el agua en el recipiente a la salida de agua sucia. De esta forma el agua sucia no refluye al estanque.
 - Quite antes la tapa de cierre de la manguera de salida para el agua sucia.
- Tirando de la empuñadura de limpieza se comprimen las esponjas de filtrado. Las partículas de suciedad se sueltan y fluyen con el agua a través de la salida de agua sucia por ejemplo a un arriate.
- A través de las boquillas de manguera transparentes se puede controlar el flujo del agua y en la salida de agua sucia se puede reconocer el grado de ensuciamiento del agua durante la limpieza. Cuando el agua esté limpia, gire la válvula giratoria de nuevo a "Filtrar"
- Cierre después de la limpieza la manguera de agua sucia o la salida de agua sucia con la tapa de cierre y la junta plana.



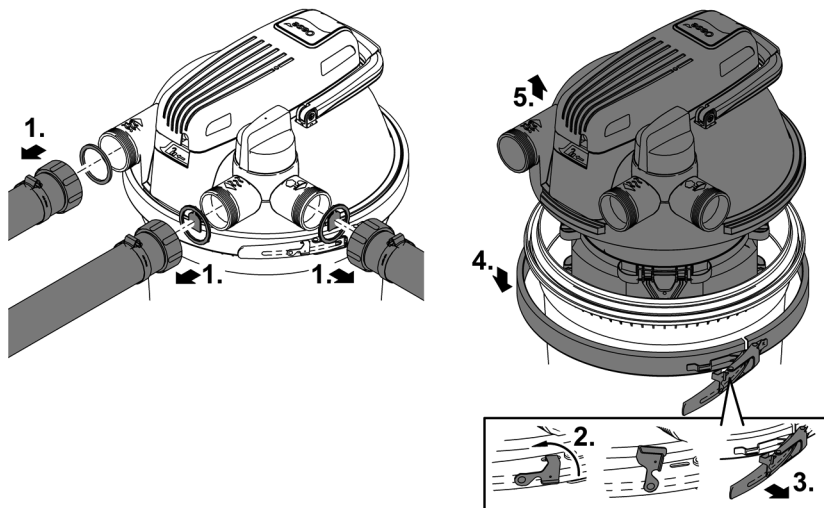
FCL0020

Quitar/ colocar la tapa del filtro

Quitar la tapa del filtro

Proceda de la forma siguiente:

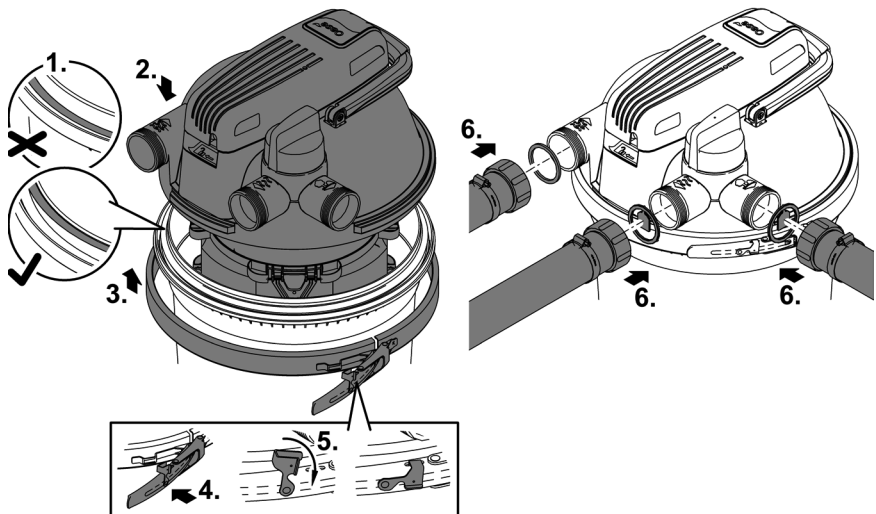
- Desconecte la bomba de filtro y saque la clavija de red del clarificador UVC del tomacorriente.
- Quite todas las mangueras en la tapa del filtro (desenrosque las boquillas de manguera).
- Suelte el pestillo de seguridad.
 - Utilice un alicate de punta plana si el pestillo de seguridad está bloqueado.
- Abra el anillo de sujeción y quite la tapa del filtro.



FCL0018

Colocar la tapa del filtro

- Garantice que la junta tórica en el recipiente esté correctamente asentada en el borde del recipiente.
 - Humedezca la junta con agua o engrase la junta si fuera necesario para que la cabeza del filtro se pueda presionar más fácil en el recipiente
- Presione la tapa del filtro uniformemente y con fuerza hasta el tope en el recipiente.
 - La tapa del filtro tiene que contactar completamente y hasta el tope en el recipiente, porque de lo contrario no se puede cerrar el anillo de sujeción.
- Fije la tapa del filtro con el anillo de sujeción y coloque el pestillo de seguridad.
 - El pestillo de seguridad evita el aflojamiento accidental del anillo de sujeción y por consiguiente la salida incontrolada del agua del estanque.
 - Utilice un alicate de punta plana si el pestillo de seguridad está bloqueado.
- Coloque todas las mangueras (enrosque las boquillas de manguera).



FCL0019

Limpeza del equipo y lavado o sustitución de las esponjas de filtrado

Las esponjas de filtrado se desgastan por la carga mecánica y el uso normal.

❶ Coloque esponjas de filtro nuevas al comienzo de la temporada.

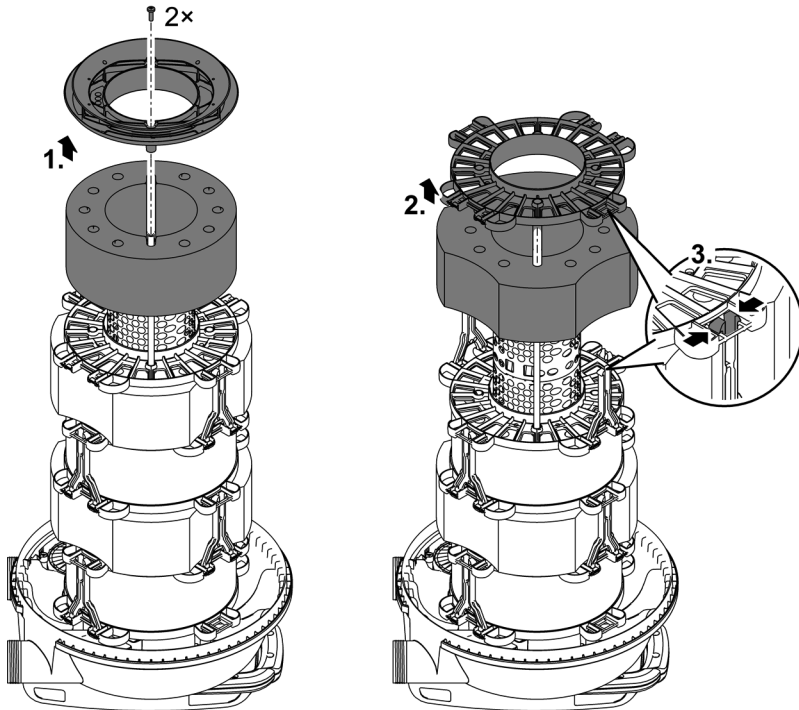
Desmontar el paquete de esponjas de filtrado

Condición:

- La tapa del filtro está desmontada. (→ Quitar la tapa del filtro)

Coloque la tapa del filtro boca abajo sobre una superficie suave y limpia de modo que el paquete de esponjas de filtrado esté arriba.

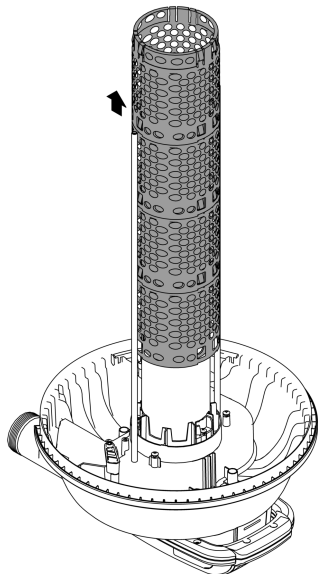
- Suelte los dos tornillos, quite el disco de cierre y saque la primera esponja de filtrado.
- Para cada otra esponja de filtrado suelte los dos distanciadores y saque el disco distanciador y la esponja de filtrado.



FCL0023

Limpieza

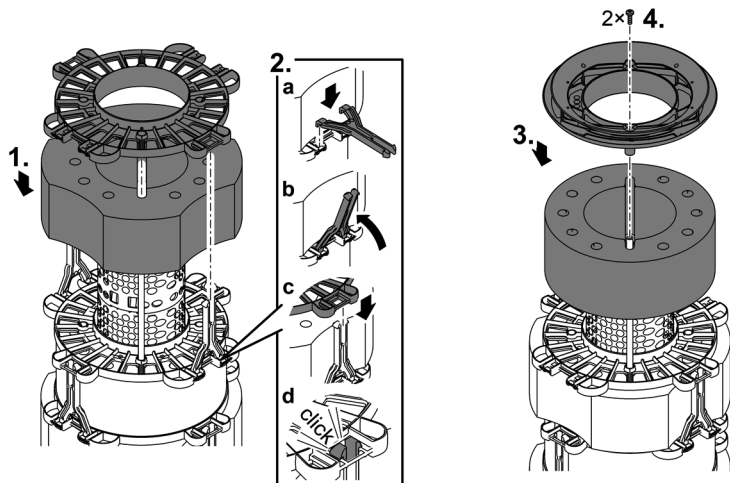
- Limpie el recipiente, el anillo de sujeción, la tapa del filtro, la carcasa de agua UVC y el tubo de rejilla con un chorro de agua fuerte.
 - El tubo de rejilla se puede quitar tirando y girando simultáneamente en sentido horario.
- Lave las esponjas de filtrado presionándolas fuertemente bajo el agua corriente.
 - Sustituya las esponjas de filtrado si fuera necesario.



FCL0030

Montar el paquete de esponjas de filtrado

- Empuje las esponjas de filtrado en la secuencia prevista en el tubo de rejilla. (→ Secuencia de montaje de las esponjas de filtrado)
- Coloque en cada esponja de filtrado un disco distanciador y fíjelo con dos distanciadores.
 - Introduzca el distanciador hasta el tope en el disco distanciador y coloque el distanciador con un ligero movimiento de giro.
- Coloque el disco de cierre en la última esponja de filtrado (lila, 20 ppi). Fije el disco de cierre con los dos tornillos en las dos barras de limpieza.
- Coloque la tapa del filtro en el recipiente. (→ Colocar la tapa del filtro)



FCL0024

Secuencia de montaje de las esponjas de filtrado

	FiltoClear 3400	FiltoClear 5200	FiltoClear 8200
Esponjas de filtrado			
	30 ppi	10 ppi	30 ppi
	10 ppi	30 ppi	10 ppi
	20 ppi	10 ppi	30 ppi
			20 ppi
			20 ppi

Desmontar/ montar la cabeza del equipo UVC

⚠ CUIDADO

La radiación ultravioleta de la lámpara UVC puede dañar los ojos y la piel.

- ▶ Nunca opere la lámpara UVC fuera de la caja ni en una caja dañada.
- ▶ Separe el equipo de la red de corriente antes de comenzar los trabajos de mantenimiento o antes de sustituir la lámpara UVC.

⚠ CUIDADO

El vidrio de cuarzo y la lámpara UVC se pueden romper y ocasionar lesiones de corte.

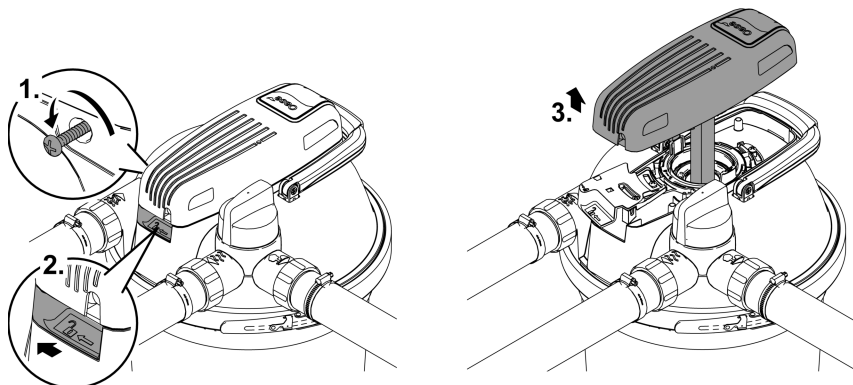
- ▶ Ejecute minuciosamente todos los trabajos en el clarificador UVC para evitar lesiones de corte.
- ▶ Evite sacudidas, golpes y movimientos bruscos para evitar la rotura del vidrio.

- ⓘ Por razones de seguridad, la lámpara UVC sólo se puede conectar cuando el clarificador UVC se haya montado correctamente en el equipo.

Desmontar la cabeza del equipo UVC

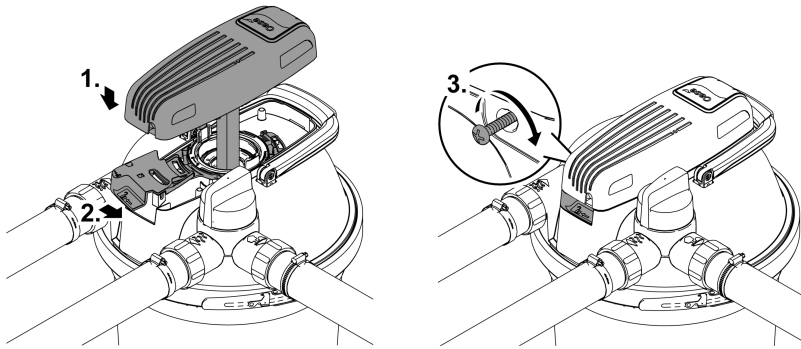
Proceda de la forma siguiente:

- Saque primero la clavija de red del clarificador UVC antes de sacar la cabeza del equipo UVC.
- Quite el tornillo de seguridad, suelte el anillo de apertura y saque la cabeza del equipo UVC.
- Si no se puede quitar la cabeza del equipo UVC se ha formado una depresión en el vidrio de cuarzo debido al enfriamiento de la lámpara UVC.
 - Acción correctora: Conecte el clarificador UVC. El calor de la lámpara UVC elimina la depresión y la cabeza del equipo UVC se empuja hacia arriba con un sonido plop. Saque la clavija de red del clarificador UVC y saque la cabeza del equipo UVC.



FCL0016

Montar la cabeza del equipo UVC



FCL007

ES

Sustitución de la lámpara UVC

La lámpara UVC es una pieza de desgaste. Sustituya la lámpara UVC cuando haya alcanzado las horas de servicio indicadas. De esta forma se garantiza un óptimo rendimiento del filtro.

FiltoClear	Potencia de la lámpara UVC	Sustituir la lámpara UVC después de
3400	24 W	8000 h (una temporada del estanque)
5200	42 W (opcional 36 W)	42 W / 60 W: 12000 h
8200	60 W (opcional 55 W)	36 W / 55 W: 8000 h

Condición:

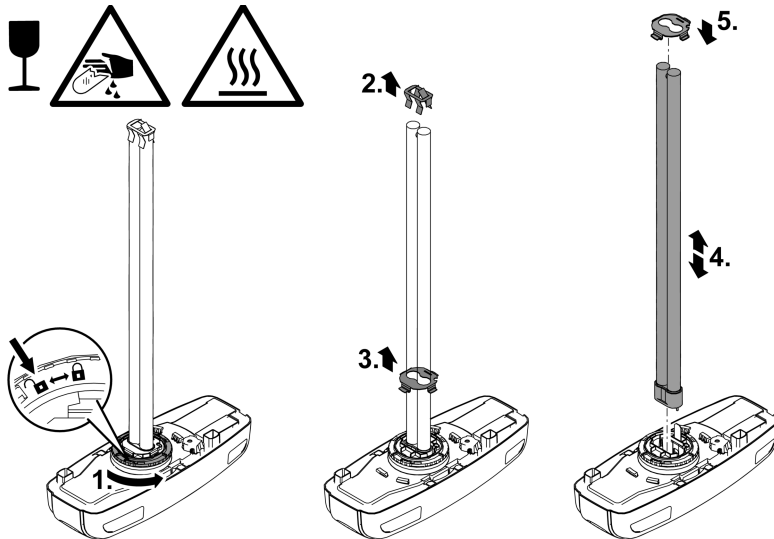
- La cabeza del equipo UVC está desmontada. (→ Desmontar la cabeza del equipo UVC)
- Emplee sólo lámparas UVC cuya denominación y especificación de potencia coincidan con las especificaciones en la placa de datos técnicos. (→ Datos técnicos)

Proceda de la forma siguiente:

- **Desmontaje:** Gire el anillo de bayoneta hasta el tope a "Abrir candado" para poder quitar la chapa de retención y la lámpara UVC.
- **Montaje:** Gire el anillo de bayoneta hasta el tope a "Cerrar candado". De lo contrario no se puede montar la cabeza del equipo UVC.
 - Al suministro está asentado en el bulbo de vidrio de la lámpara UVC una protección de lámpara como protección para el transporte. La protección de lámpara no es necesaria para el funcionamiento y no se necesita colocar de nuevo.

- ❗ Si fuera necesario, quite una protección de lámpara atascada en el vidrio de cuarzo de la forma siguiente:
 - Desmonte el vidrio de cuarzo. (→ Limpiar/ sustituir el vidrio de cuarzo)
 - Golpee la tapa del rotor junto con el vidrio de cuarzo cuidadosamente y de manera constante sobre una superficie firme. La protección de la lámpara se desliza gradualmente fuera del vidrio de cuarzo.

- ❗ Las lámparas UVC de OSRAM sólo se pueden emplear sin chapa de retención. OASE recomienda por eso emplear las lámparas UVC de Philips.



FCL0022

Limpiar/ sustituir el vidrio de cuarzo

El vidrio de cuarzo está fijado mediante la tapa del rotor en la cabeza del filtro de forma que no pueda salir el agua del interior del recipiente.

- Sustituya el vidrio de cuarzo cuando esté rayado o ciego. El rendimiento de limpieza de la lámpara UVC ya no es suficiente.

⚠ CUIDADO

El vidrio de cuarzo y la lámpara UVC se pueden romper y ocasionar lesiones de corte.

- ▶ Ejecute minuciosamente todos los trabajos en el clarificador UVC para evitar lesiones de corte.
- ▶ Evite sacudidas, golpes y movimientos bruscos para evitar la rotura del vidrio.

Condición:

- La cabeza del equipo UVC está desmontada. (→ Desmontar la cabeza del equipo UVC)

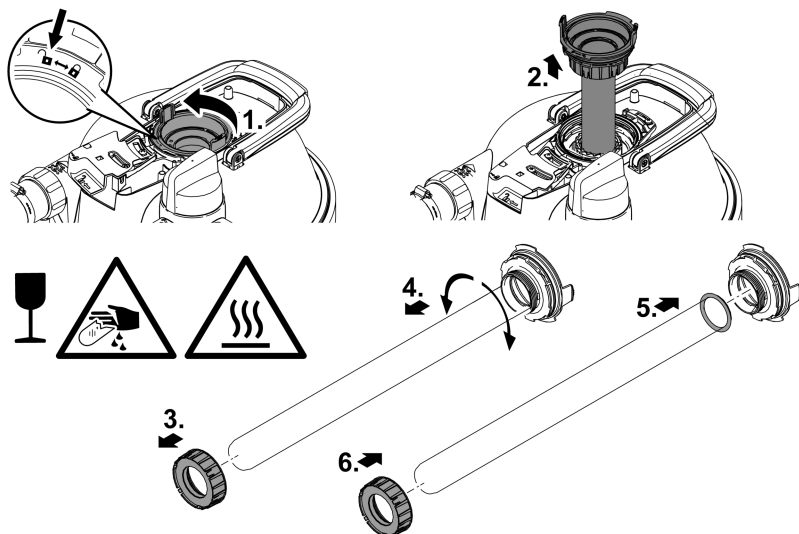
Proceda de la forma siguiente:

- Desconecte la bomba de filtro.
- Desenclave la tapa del rotor (cierre de bayoneta a "Abrir candado").
- Quite la tapa del rotor con el vidrio de cuarzo y el rotor de limpieza si existe.
 - Ponga la válvula giratoria en la salida de agua sucia para eliminar la depresión posiblemente producida en el recipiente.
- Limpie el vidrio de cuarzo.

En caso de sustitución del vidrio de cuarzo:

 - Suelte el tornillo de fijación y saque cuidadosamente el vidrio de cuarzo con un ligero movimiento de basculación y giro.
 - Limpie la junta tórica, sustitúyala si está dañada.
 - Engrase la junta tórica con grasa lubricante comercial.
 - Tire la junta tórica sobre el collar del vidrio de cuarzo. (No por encima del vidrio para evitar restos de grasa en el vidrio de cuarzo.).
 - Coloque el vidrio de cuarzo en la tapa del rotor y gire el tornillo de fijación hasta el tope, porque de lo contrario no se puede montar la tapa del rotor.
- Compruebe el desgaste del perfil en el rotor de limpieza. (→ Sustituir el rotor de limpieza)
- Al montaje del vidrio de cuarzo gire la tapa del rotor hasta el tope (cierre de bayoneta a "Cerrar candado"). De lo contrario no se puede montar la cabeza del equipo UVC.

i En el vidrio de cuarzo se puede formar agua condensada. La formación de agua condensada es inevitable y no influye en el funcionamiento ni la seguridad.



FCL0021

Sustituir el rotor de limpieza

En el FiltoClear 5200 und FiltoClear 8200 está asentado encima del vidrio de cuarzo adicionalmente un rotor de limpieza que se acciona por el flujo de agua y limpia el vidrio de cuarzo.

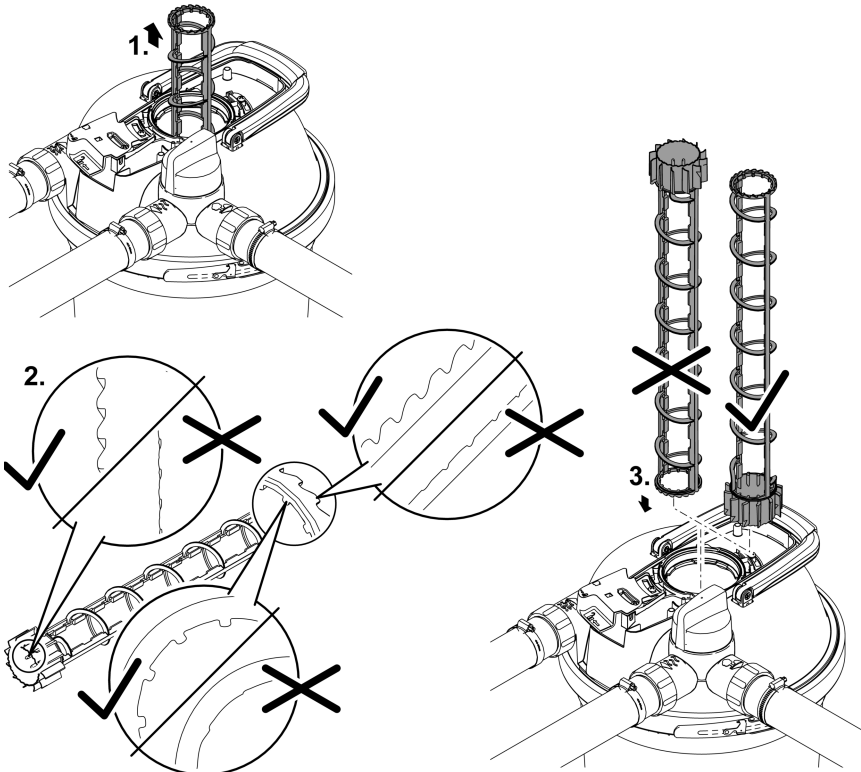
- Sustituya el rotor de limpieza cuando esté desgastado.

Condición:

- El vidrio de cuarzo está desmontado. (→ Limpiar/ sustituir el vidrio de cuarzo)

Proceda de la forma siguiente:

- Compruebe en el rotor de limpieza el desgaste del perfil en ambos lados frontales y en las superficies interiores.
 - Si está desgastado el perfil, el rotor de limpieza marcha con dificultad y se tiene que sustituir.
- Coloque el rotor de limpieza en la carcasa de agua UVC.



FCL0029

Piezas de desgaste

- Elementos de espuma filtrantes
- Lámpara UVC, vidrio cuarzoso y junta tórica para vidrio cuarzoso
- Rotor de limpieza
- Tornillo de fijación de recambio
- Empalme de tubos FiltoClear 5200, 8200

Puesta fuera de servicio/ almacenamiento durante el invierno

El equipo se tiene que poner fuera de servicio si la temperatura del agua baja por debajo de 46 °F (+8 °C) o a más tardar cuando se esperen heladas.

- Si fuera posible, elimine el agua del recipiente, las mangueras y las conexiones.
- Limpie minuciosamente todas las piezas, compruebe si el equipo está dañado y sustituya las piezas dañadas.
- Almacene la tapa del filtro, el clarificador UVC y los medios filtrantes en un lugar seco y exento de heladas.
 - El lugar de almacenamiento no debe estar accesible para los niños.
- Cubra el recipiente de forma que no pueda entrar agua de lluvia.
- Asegure el recipiente enterrado en el suelo de forma que no constituya ningún riesgo de accidente para las personas o animales.

Eliminación de fallos

Fallo	Causa probable	Acción correctora
En la salida de agua no sale agua.	La bomba de filtro no está conectada.	Conecte la bomba de filtro.
	Las líneas de alimentación están obstruidas.	Controle las líneas de alimentación y límpielas si fuera necesario.
	La válvula giratoria no está en "Filtrar el agua"	Ponga la válvula giratoria en "Filtrar el agua".
El caudal es muy poco.	Las esponjas de filtrado están obstruidas.	Limpie las esponjas de filtrado
	El rendimiento de la bomba de filtro es muy bajo.	Emplee una bomba de filtro con más potencia.
La lámpara de control en la cabeza del equipo UVC no se ilumina.	La conexión de red está defectuosa o la clavija de red no está enchufada.	Compruebe la conexión de red (clavija de red, fusible de red)
	El interruptor de temperatura desconectó la lámpara UVC.	Deje que se enfríe la lámpara UVC.
	La lámpara UVC está defectuosa.	Sustituya la lámpara UVC.
El rendimiento de filtrado no es satisfactorio	La válvula giratoria no está en "Filtrar el agua"	Ponga la válvula giratoria en "Filtrar el agua".
	El filtro está en funcionamiento desde hace poco tiempo.	Espere unos días/semanas
	El agua o el estanque está extremadamente sucio.	Limpie minuciosamente el estanque.
	La cantidad de peces y animales es demasiado alta.	Cumpla el valor orientativo
	Las esponjas de filtrado están sucias.	Limpie las esponjas de filtrado
	El vidrio de cuarzo está sucio.	Limpie el vidrio de cuarzo y el rotor de limpieza.
	El rotor de limpieza gira con dificultad.	Compruebe el desgaste del rotor de limpieza y sustitúyalo si fuera necesario.
	El rotor de limpieza no gira debido a la suciedad.	<ul style="list-style-type: none"> • Limpie el filtro • Limpie el rotor de limpieza. • Elimine la grava de la carcasa de agua UVC y las esponjas de filtrado. <p>Si el fallo se produce con más frecuencia:</p> <ul style="list-style-type: none"> • Emplace la bomba de filtro en un lugar elevado para reducir la aspiración de la suciedad gruesa. • Emplee la bolsa de protección de OASE para la bomba de filtro para evitar la aspiración de la suciedad gruesa.
	La lámpara UVC alcanzó su límite de desgaste (potencia de radiación demasiado baja).	Sustituya la lámpara UVC.

Datos técnicos

Datos de equipos

FiltroClear			3400	5200	8200
Clarificador UVC	Tensión de conexión	V CA	120	120	120
	Frecuencia de red	Hz	60	60	60
	Consumo de potencia	W	24	42	60
	Potencia UVC	W	24	42	60
	Lámpara UVC		24 W TC-L(UV-C)	36 W/42 W TC-L(UV-C)	55 W/60 W TC-L(UV-C)
	Categoría de protección		IP68	IP68	IP68
	Profundidad de inmersión máxima permisible en el agua	ft	0,3	0,3	0,3
		m	0,1	0,1	0,1
	Longitud cable de red	ft	16,5	16,5	16,5
		m	5,0	5,0	5,0
Caudal mínimo	gph	1200	1725	2250	
	l/h	4500	6500	8500	
Caudal máximo	gph	2400	3450	4500	
	l/h	9000	13000	17000	
Presión de la bomba máxima permisible	psi	8,7	8,7	8,7	
	bar	0,6	0,6	0,6	
Presión de servicio máxima permisible	psi	2,9	2,9	2,9	
	bar	0,2	0,2	0,2	
Entrada	Conexión		G2	G2	G2
	Boquilla de manguera	in	1½, 2	1½, 2	1½, 2
		mm	38, 50	38, 50	38, 50
Salida	Conexión		G2	G2	G2
	Boquilla de manguera transparente	in	1½, 2	1½, 2	1½, 2
		mm	38, 50	38, 50	38, 50
Salida de suciedad	Conexión		G2	G2	G2
	Boquilla de manguera transparente	in	1½, 2	1½, 2	1½, 2
		mm	38, 50	38, 50	38, 50
Cantidad esponjas de filtrado rojas		1	1	2	
Cantidad esponjas de filtrado azules		1	2	2	
Cantidad esponjas de filtrado lilas		1	1	1	
Se apropia para un volumen de estanque máx. de	gal	3400	5200	8200	
	l	13000	19000	31000	
Se apropia para el volumen de estanque máximo con peces	gal	1850	2650	4000	
	l	7000	10000	15000	
Se apropia para el volumen de estanque máximo con Koi	gal	-	1350	2000	
	l	-	5000	7500	

FiltoClear			3400	5200	8200
Temperatura ambiente permisible durante el funcionamiento		°F	+32 ... +95	+32 ... +95	+32 ... +95
		°C	0 ... +35	0 ... +35	0 ... +35
Dimensiones	Longitud	in	15,4	15,4	15,4
		mm	391	391	391
	Anchura	in	15,0	15,0	15,0
		mm	382	382	382
	Altura	in	19,3	24,1	28,8
		mm	490	611	732
Peso	sin agua	lbs	19,4	21,2	22,7
		kg	8,8	9,6	10,3
	con agua	lbs	79,4	103,6	125,7
		kg	36	47	57

Valores del agua permisibles

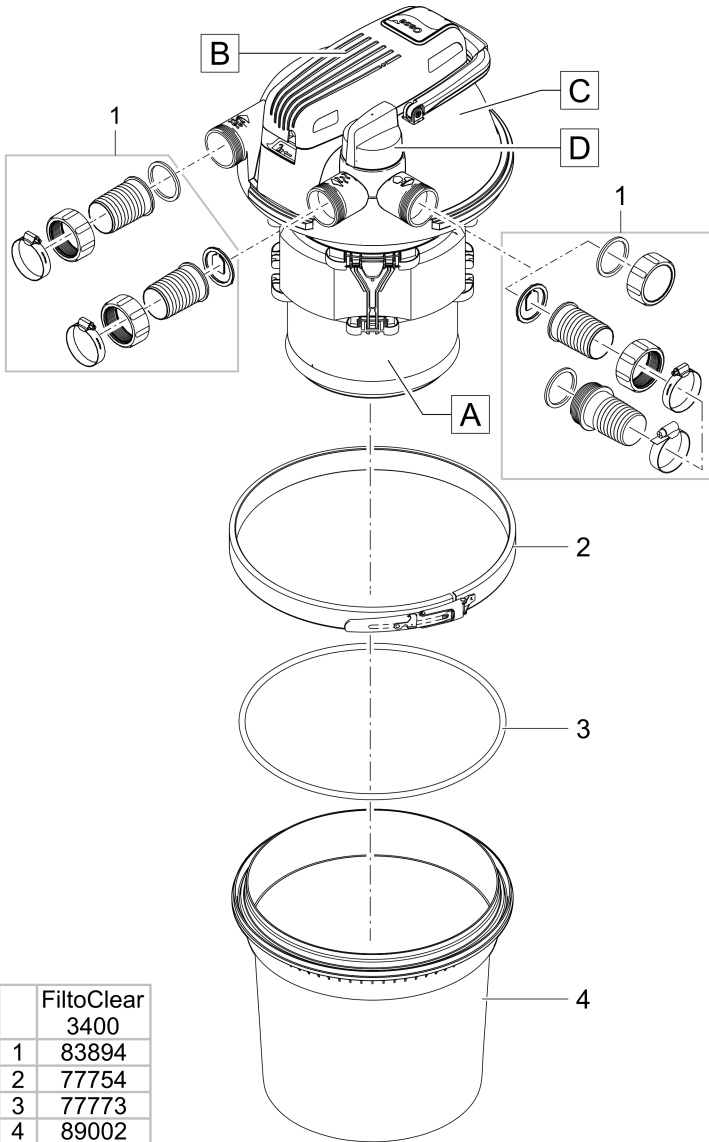
Agua fresca, agua de estanque		
Valor pH		6,0 ... 9,0
Dureza	ppm	0,45 ... 0,84
	°dH	8 ... 15
Cloro libre	moz/gal	<0,06
	mg/l	<0,5
Contenido de sal	%	<0,5
Temperatura	°F	+39 ... +95
	°C	+4 ... +35

Desecho

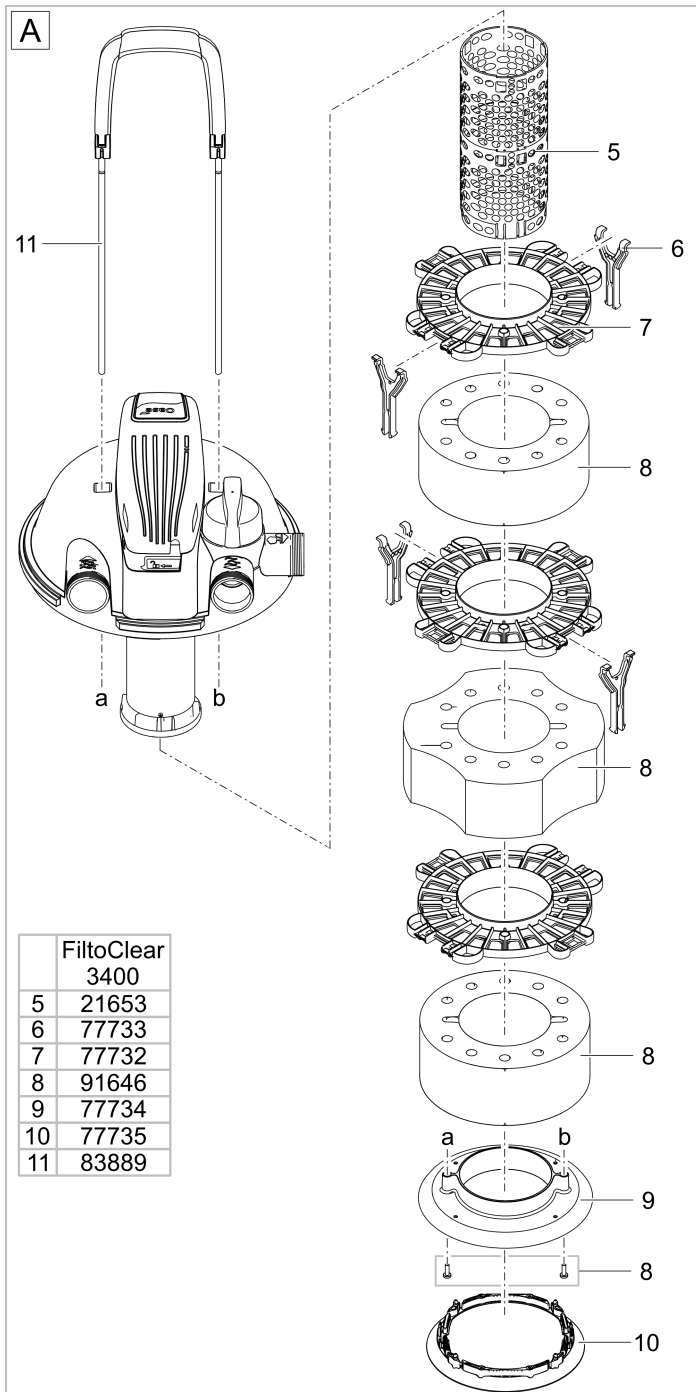
INDICACIÓN

Está prohibido desechar este equipo en la basura doméstica.

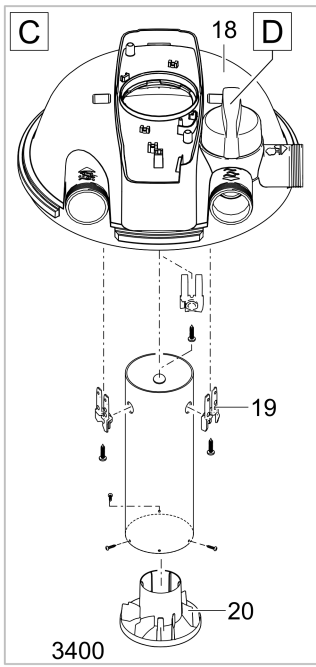
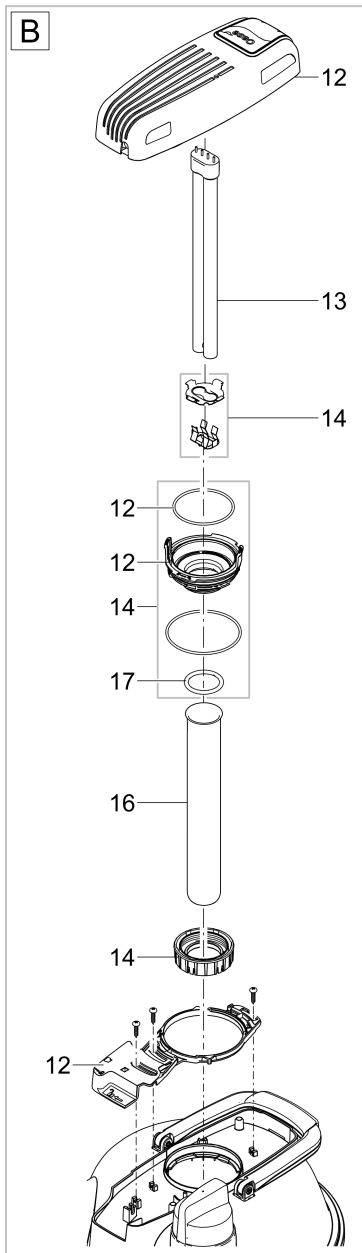
- ▶ Deseche el equipo a través del sistema de recogida previsto.
- ▶ Deseche la lámpara UVC a través del sistema de recogida previsto.
- ▶ Corte los cables para inutilizar el equipo.



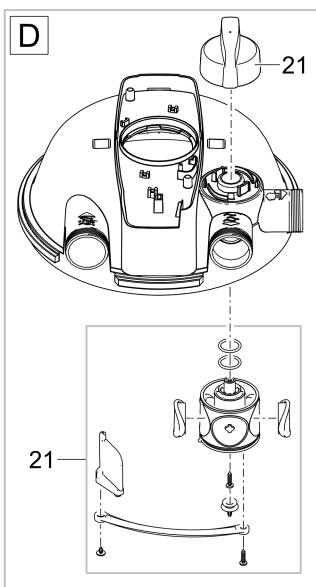
FCL0035



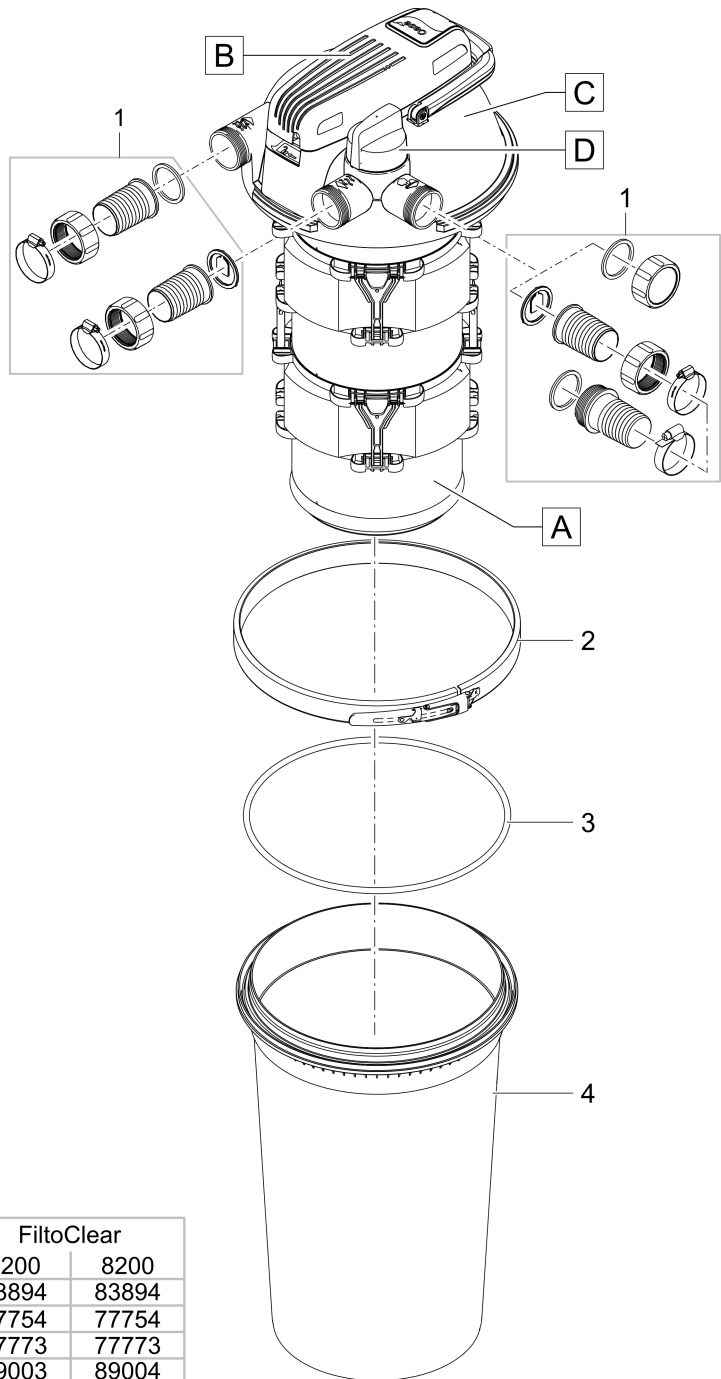
FCL0036



	FiltoClear 3400
12	92948
13	41011
14	74380
16	13332
17	73486
18	74381
19	86941
20	15480
21	74368

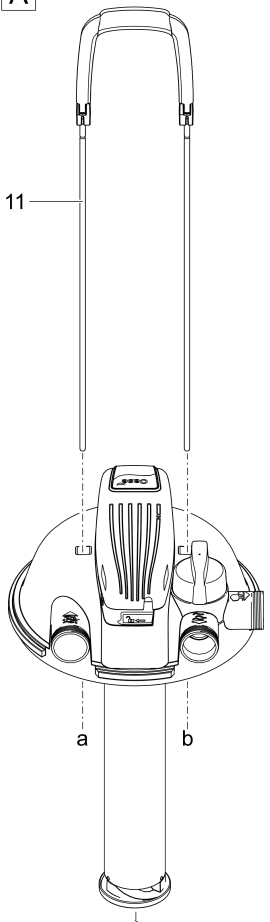


FCL0037

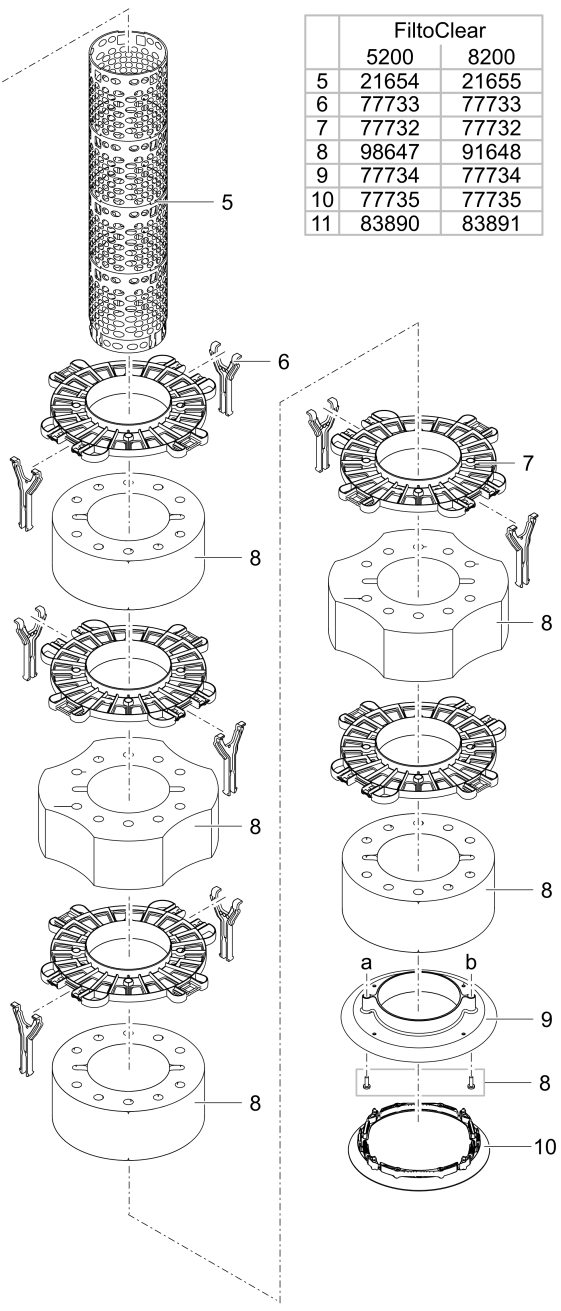


FiltoClear		
	5200	8200
1	83894	83894
2	77754	77754
3	77773	77773
4	89003	89004

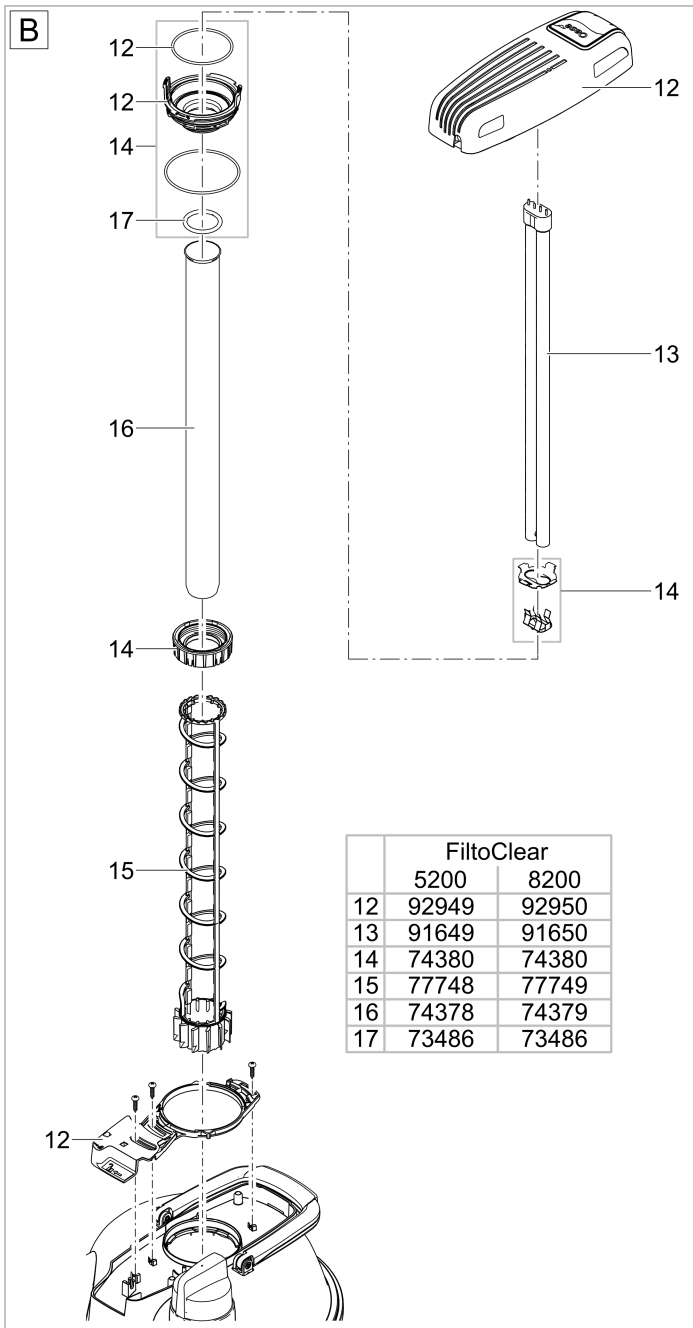
A



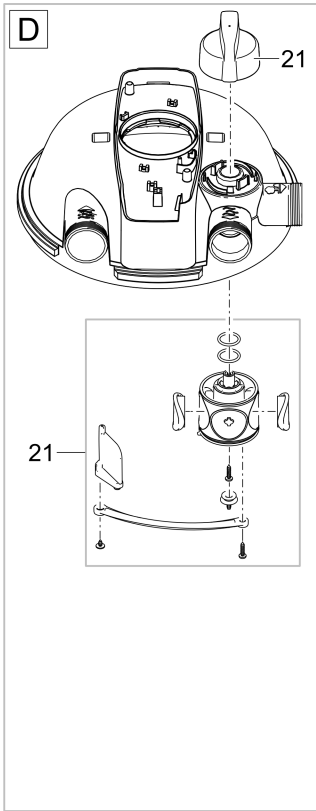
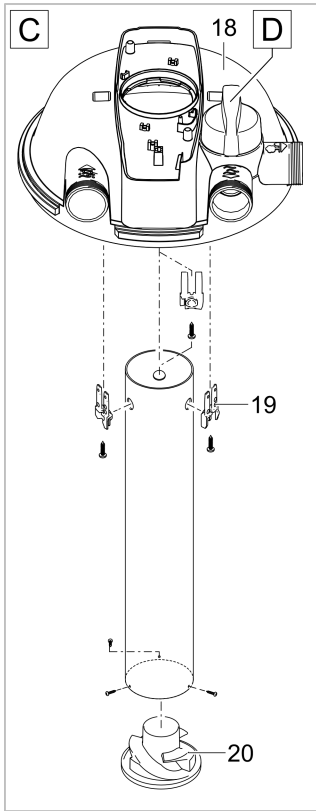
FiltroClear		
	5200	8200
5	21654	21655
6	77733	77733
7	77732	77732
8	98647	91648
9	77734	77734
10	77735	77735
11	83890	83891



FCL0032



FCL0033



	FiltoClear
	5200
18	74381
19	86941
20	77750
21	74368

	FiltoClear
	8200
18	74381
19	86941
20	77750
21	74368

FCL0034

OASE North America Inc.
125 Lena Drive | Aurora | Ohio 44202 | USA
 customer care@oase.com
www.atlantic-oase.com