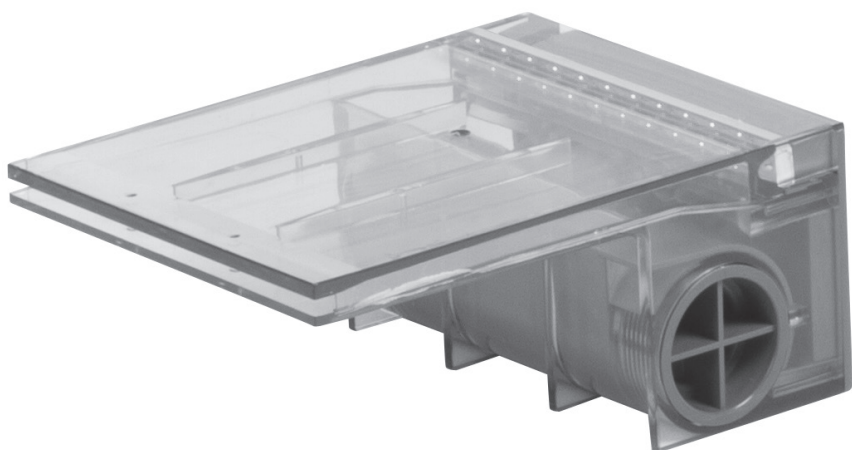




Atlantic™

Product Manual | Manuel du Produit | Manual del Producto



CC06 / CC12 / CC24 / CC36

1.330.274.8317

www.ATLANTICWATERGARDENS.com

Introduction

Thank you for choosing Atlantic's Color Changing Colorfalls. The Colorfalls are designed for use in Pond-free and fountain applications. The Color Changing Colorfalls feature a larger opening which produces a thicker water sheer and less clogging from debris in the water, a remote controlled Color Changing LED light bar, and a removable back plate that provides access to the interior of the spillway for easy maintenance and winterizing.

Prior to Operation and Installation

Caution:

- Colorfalls are designed for use in Pond-free and fountain applications. Colorfalls are not intended for use in water gardens or any pond with plant or aquatic life.
- DO NOT operate this product under any conditions other than those for which it is specified. Failure to observe these precautions can lead to electrical shock, product failure, or other problems.
- Follow all aspects of electrical codes when installing Color Changing Colorfalls.
- To reduce the risk of electrical shock, connect transformer to a 120 volt receptacle protected by a ground fault circuit interrupter (GFCI).
- Color Changing six wire quick-connect plugs carry both AC and DC current to the in-line driver. Moisture entering the connections will allow the AC and DC current to cross which can damage the lighting system.
- Six wire quick-connect plugs are gasketed for outdoor use and **must be fully tightened to prevent water infiltration**. Quick-connect plugs are not waterproof and should not be submerged. Dielectric grease (found in the electrical department of most home improvement stores) should also be used in all connections to eliminate water infiltration.
- The input power to the Color Changing Control Module is 12 volt AC.
- The Control Module can be connected to a larger outdoor lighting transformer; however this must be done on the 12 volt AC input side of Control Module. Removing the Control Module or tampering with the cord between the Control Module and the Colorfalls will damage the Light Bar and void warranty.
- The Control Module is weather resistant with an IP54 rating. Do not submerge the Control Module or expose it to heavy rainfall. It must be mounted off the ground close to the power source. Failure to do so will void the warranty.
- A rectangular driver labeled *DO NOT REMOVE* is attached to the end of the light bar cord by a quick-connect plug. The driver converts AC current from the transformer to DC current before it is sent to the light bar.
- The driver may be temporarily disconnected at this junction when pulling the light cord through a conduit sleeve or hardscape wall. Once the cord is pulled, the driver must be reattached before connecting the light to a power source. Failure to reattach the driver will damage the Light Bar and void the warranty. Be sure to align the arrows on the quick-connect plug when reconnecting the driver.
- Permanently removing the driver or cutting/shortening the cord between the driver and the Colorfalls will damage the light bar and void the warranty

The ColorFalls must be accessible for service and maintenance. Installing the ColorFalls so that the entire body is removable is highly recommended. Do not glue the cap stones above the ColorFalls or permanently mortar the ColorFalls in place.

The Colorfalls can support 40 lbs. per linear foot (e.g. a 24" Colorfalls can support 80 lbs.). If the weight on the weir exceeds that amount, you will need to provide a lintel support for the added weight. This support should still make contact with the weir to prevent it from shifting.

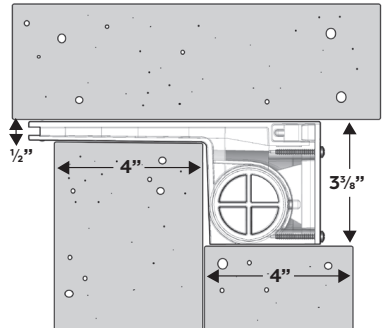
See the chart below for the recommended placement of the Colorfalls above the basin or pool. If the placement of the Colorfalls exceeds the recommended height, water loss will increase significantly due to splash and wind drift.

Colorfalls	Maximum Falls Height Above Basin	Flow Rate
CC06	18"	600 GPH
CC12	24"	1200 GPH
CC24	30"	2400 GPH
CC36	36"	3600 GPH

Installation of Color Changing Colorfalls

The opening in the wall where the Colorfalls will be placed is important to the function of the Colorfalls. If it is not level and free of debris the Colorfalls will not function properly. The base of Colorfalls body as well as the bottom of the spillway lip must be supported by the opening in which it is placed. The Colorfalls Spillway must protrude from the wall a minimum of 1/2" and maximum of 1". The top side of the opening must also be in contact with the Colorfalls to prevent it from shifting. See Figure 1 for the proper sizing of the opening for the Colorfalls.

Figure 1



Plumbing A Single Colorfalls

Each ColorFalls spillway is equipped with three convenient 1/2" threaded inlets to accommodate 1/2" Sch 40 MPT fittings. Choose one or more of the three inlets for plumbing; you can either plumb directly into the back center of the unit, or into both sides. (Plumbing the ColorFalls from one side only will produce an uneven water sheer. Feed lines must be connected to both sides to ensure an even water flow.) Close off the unused inlet(s) with the provided plugs. The plugs have O-ring seals and can be installed without thread sealant.

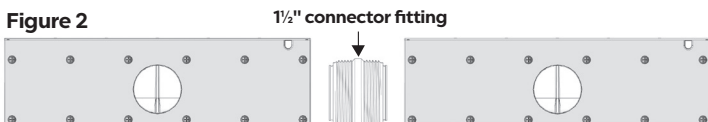
Installing a ball valve (not included) on the feed line between the pump and the Colorfalls is recommended for added control of water flow.

Plumbing Modular Colorfalls

Connect the Colorfalls together using the 1/2" threaded connector (included). Begin by installing one end of the connector into the side inlet of one Colorfalls. Align the second Colorfalls and spin it onto the threaded fitting (screwing the two units together). Before they are completely tightened, install the double sided gasket (included) at the end of the spillway between the units. This will create a watertight seal where the spillways meet. Pull the spillways of the Colorfalls apart while completing the final turn of the Colorfalls body. Once you have ensured proper alignment, press the spillways of the two units together (sandwiching the gasket) to ensure it is in contact with both units.

When plumbing multiple Color Changing Colorfalls together, use the back center inlet on each individual Colorfalls, plugging the side inlets, regardless if you are using one pump or multiple pumps. This will balance the flow of water going to the falls.

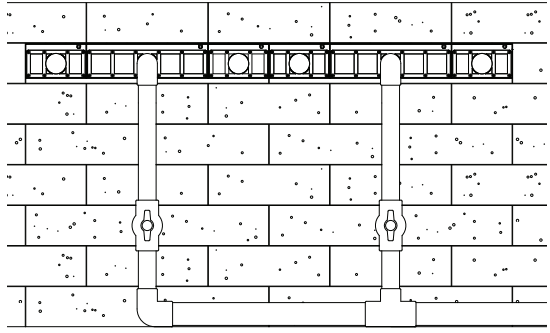
Figure 2



Note: If plumbing two different sized Colorfalls together, a ball valve must be added on each vertical feed line to balance the water flow into each unit.

The individual feed lines to each Colorfalls should be 1/2" PVC. If using one pump to feed multiple Colorfalls, the main feed line should be 2" or larger. The main feed line should be run horizontally along the back of the wall with vertical 1/2" feed lines branching off to each Colorfalls (Figure 3).

Figure 3



Connecting the Light Bar

All SOL Color Changing Colorfalls and wiring components are connected via a six wire quick-connect plug. SOL Color Changing Colorfalls will not operate if plugs are aligned incorrectly. The six pronged connectors have raised arrows that indicate proper alignment.

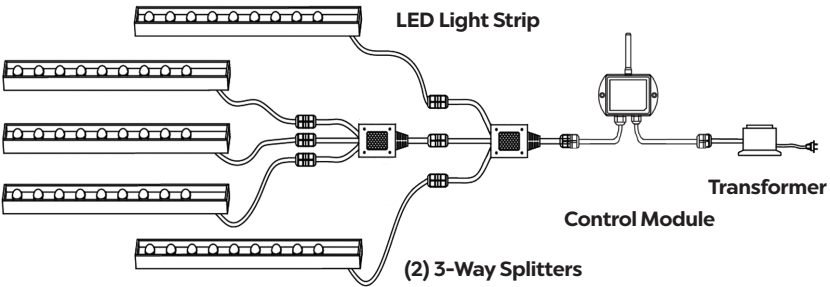
Color Changing six wire quick-connect plugs carry both AC and DC current to the in-line driver. Moisture entering the connections will allow the AC and DC current to cross which can damage the light bar.

Six wire quick-connect plugs are gasketed for outdoor use and must be fully tightened to prevent water infiltration. Quick-connect plugs are not waterproof and should not be submersed. Dielectric grease (found in the electrical department of most home improvement stores) should also be used in all connections to eliminate water infiltration.

The transformer must be plugged into a properly grounded GFCI outlet. Please follow the connection diagram below for proper installation.



The Atlantic CCCM05 Wiring Kit (sold separately) enables up to five Color Changing Colorfalls (any model) to be installed together and controlled by a single transformer, Control Module and remote. Follow the connection diagram below for proper installation of the CCCM05 Wiring Kit.



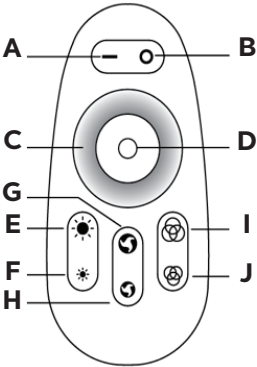
Control Module Installation

The Control Module is weather-resistant with an IP54 rating. Do not submerge it or expose it to heavy rainfall. It must be mounted off the ground with antenna positioned vertically, close to the power source. Failure to do so will void the warranty.

- Remove the red protective cap from the top of the control module and install the antenna. Thread the black antenna on until snug, making sure it seals against the gasket.
- Install the control box in a well-ventilated area to ensure that the module operates within its specified working temperature.
- Verify that the control module input voltage is 12 volt AC. We recommend that you use the transformer provided with this unit.
- Ensure that all cable connections are secure.
- Do not connect the power before the cord connections are finished.
- Do not cut or alter the cord between the Color Changing Colorfalls and the Control Module.
- The remote control requires two (2) AAA batteries (not included). **Do not touch the face of the remote while inserting batteries.**

Remote Control Functions

A	On Button Touch and release to turn the lights on. Touch for two seconds to switch between Color Wheel and Preset Light Changing Modes	F	Brightness (Down)
	B	Off Button	G
C		Color Wheel	H
D	Indicator Light	I	Preset Light Changing Mode Selection (Up)
E	Brightness (Up)		J



Preset Light Changing Modes

1	Continuous full spectrum fade change
2	Solid Crystal White
3	Solid Red
4	Solid Green
5	Solid Blue
6	Solid Aqua
7	Solid Purple
8	Solid Yellow
9	Red-Green-Blue jump change

10	7 color jump change
11	Red-Green-Blue dimmer change
12	7 color dimmer change
13	7 color dimmer then 7 color jump change
14	Crystal White fade on/off
15	Flashing Red
16	Flashing Green
17	Flashing Blue
18	Flashing Red and Blue

Mode Selection

- To switch to the Color Wheel: hold the A button for two seconds and the Colorfalls will return to the last color displayed while in the Color Wheel mode. Run your finger around the color wheel to select a new color.
- To switch to the Preset Light Changing Modes: hold the A button for two seconds, and the Colorfalls will return to the last preset mode displayed while in the Light Changing Modes. Press the I and J button to switch between the different preset modes.

Changing the Brightness and Speed

In all modes, you can use the E and F keys to change the brightness of the Colorfalls. In all modes, you can use the G and H keys to change the speed of the light transitions. There are 10 levels for each.

Synchronizing the Remote to the Control Unit

If the remote control stops working properly, please install fresh batteries. If problems persist, the remote may need to be re-synced to the control module.

Follow the instructions below to re-sync the remote control.

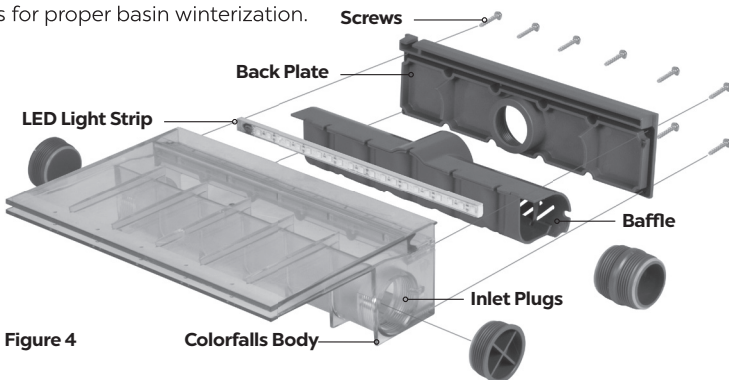
1. Unplug the transformer.
2. Hold the E button down (The red indicator lamp on the remote will be lit).
3. While still holding the E button down, plug in the transformer. The Colorfalls will start blinking.
 - If the Colorfalls blinks three times and stops, the remote and control unit are synchronized.
 - If the Colorfalls blinks six or more times, it is clearing all codes. Repeat steps 1-3.

Maintenance

Atlantic's Color Changing Colorfalls has a removable back plate for easy cleaning of the interior of the spillway. To clean the interior of the spillway, simply remove the screws on the back plate and remove the baffle (Figure 4). Remove any large obstructions that may be present and wipe down the interior with a non-abrasive cloth. Once finished, install the baffle and re-attach the back plate, making sure that the gasket is in place to ensure a water-tight seal.

Caution: Be extremely cautious when tightening the screws. It is strongly recommended that you tighten the screws with a hand held screwdriver. Overtightening the screws could crack the back plate or strip the screw holes. The screws need only be snug for the gasket to make a seal.

Atlantic Color Changing Colorfalls are self-draining for easy winterization. When the pump is turned off the water inside the Colorfalls will drain back through the supply line. Ensure that the supply line is fully drained. Remove the pump and store it indoors for the winter. If the Colorfalls is installed with an Atlantic Colorfalls Basin, please refer to the Basin Kit instructions for proper basin winterization.



Warranty

Colorfalls and all its components carry a one-year limited warranty. This limited warranty is extended solely to the original purchaser commencing from the date of the original purchase receipt and is void if any of the following apply:

- The cord has been cut or altered between the Colorfalls and the Control Module.
- The Colorfalls has been misused or abused.
- The Colorfalls has been disassembled or modified other than as described in this manual.
- The Control Module and/or Remote Control have not been adequately protected from moisture.

This warranty excludes labor/costs of labor for removal or installation of any product.

Troubleshooting Guide

Always turn off power before inspecting the Colorfalls. Failure to observe this precaution can result in a serious accident.

Before ordering repairs, carefully read through this instruction booklet. If the problem persists, contact your dealer.

Problem	Possible Cause	Possible Solution
Light bar will not turn on	No input power to the transformer	Verify power to the outlet is on / Check GFCI reset
	No outlet power from the transformer	Check the reset button / circuit breaker on the transformer Use a volt meter to verify transformer is producing 12 volt AC
Light bar color differs from remote control	Improper connection between Light Bar and control module	Inspect connection / align arrow on plugs
	Controller failure	Contact Dealer for repair / replacement
Individual Colorfalls within a larger system not working / displaying different colors	Improper connection to 3-way splitter / Control Module	Inspect connections / align arrows on plugs
	Defective 3-way splitter	Switch positions with a working Colorfalls on the same splitter to identify if the splitter is causing the issue.
	Loose connection. Moisture or corrosion in connections	Inspect quick-connected plugs for moisture, corrosion or missing gasket. Clean/dry/apply dielectric grease and reassemble.
	Failed Driver	If possible, switch out driver with one from a working Colorfalls of the same model to determine if the driver has failed. Replacement drivers are available.
	Failed Light Bar	If possible, switch out the Light Bar with one from a working Colorfalls of the same model to determine if the driver has failed. Replacement Light Bars are available.

Problem	Possible Cause	Possible Solution
Remote is not working (no indicator light)	No batteries / batteries dead	Put in new batteries.
Remote is not working (indicator light is on)	Remote is not synced with Control Module	Refer to synchronizing the remote instructions on page 6
Lights intermittently responding to remote	Loose connection. Moisture or corrosion in connections	Inspect quick-connected plugs for moisture or corrosion. Clean/ dry / apply dielectric grease and reassemble.
Water Leaking from Colorfalls body	Bad plumbing connection	Inspect all plumbing & plugs
	Gasket out of place	Ensure gasket in back plate is in proper position
	Screws in back plate are too loose	Ensure screws are fully tightened
Diminished water flow	Blocked pump intake	Clear debris from pump intake.
	Obstruction in plumbing line	Inspect plumbing line and clear any debris
	Debris in Colorfalls spillway	Refer to Maintenance section on page 6
Waterfall sheer is splitting	Debris in Colorfalls spillway	Refer to Maintenance section on page 6

Introduction

Merci d'avoir choisi les murs d'eau à couleurs changeantes modèles Colorfalls d'Atlantic. Les Colorfalls sont conçus pour s'utiliser dans des applications de Pond-free et fontaines. Les murs d'eau à couleurs changeantes modèles Colorfalls comportent une plus large ouverture qui produit une chute d'eau plus épaisse et moins de bourrage par des débris dans l'eau, une barre lumineuse à DEL à couleur changeante commandée à distance, une plaque arrière amovible pour donner accès à l'intérieur du déversoir afin de faciliter l'entretien et la préparation pour l'hiver.

Avant l'installation ou l'utilisation

Attention:

- Les Colorfalls sont conçus pour s'utiliser dans des applications de Pond-free et fontaines. Les Colorfalls ne sont pas prévus pour une utilisation dans des jardins d'eau ou toute mare comportant de la flore ou de la faune aquatique.
- N'utilisez PAS ce produit sous aucune autre condition que celles précisées. Ne pas respecter ces précautions peut entraîner des chocs électriques, la défaillance du produit ou d'autres problèmes.
- Suivez toutes les directives des codes de l'électricité au moment d'installer l'éclairage SOL.
- Pour réduire le risque de choc électrique, branchez le transformateur à une prise de 120 volts protégée par un disjoncteur de fuite de terre.
- Assurez-vous que le couvercle de lentille est bien serré avant d'immerger les murs d'eau à couleurs changeantes modèles Colorfalls.
- Les fiches à branchement rapide à six broches pour changement de couleur amènent le courant C.A. et C.C. au pilote en ligne. Si de l'humidité pénètre les raccords, les courants alternatifs et continus pourraient se croiser, ce qui pourrait endommager le système d'éclairage.
- Les fiches à branchement rapide à six broches sont équipées d'un joint d'étanchéité pour usage à l'extérieur et **doivent être bien serrées pour empêcher les infiltrations d'eau**. Les fiches à branchement rapide ne sont pas étanches et ne doivent pas être immergées. De la graisse diélectrique (que l'on peut trouver au rayon d'électricité de la plupart des quincailleries) doit aussi être utilisée dans tous les raccords pour éliminer les infiltrations d'eau.
- La puissance d'entrée du module de commande de changement de couleur est de 12 volts C.A.
- Le module de commande peut être branché à un transformateur d'éclairage extérieur plus gros; toutefois, ce doit être fait du côté entrée C.A.12 volts du module de commande. Retirer le module de commande ou altérer le cordon entre le module de commande et le Colorfalls endommagera barre d'éclairage et annulera la garantie.
- Le module de commande est à l'épreuve des intempéries et a une cote IP54. N'immergez pas le module de commande et ne l'exposez pas à une pluie abondante. Celui-ci doit être installé plus haut que le niveau du sol et à proximité de sa source d'alimentation. Ne pas respecter cette condition annulera la garantie.
- Un petit pilote rectangulaire identifié par la mention *DO NOT REMOVE* (ne pas enlever) est fixé à l'extrémité du cordon de barre d'éclairage grâce à une fiche à branchement rapide. Le pilote convertit le courant alternatif (C.A.) du transformateur en courant continu (C.C.) avant d'être acheminé à barre d'éclairage
- Le pilote peut être temporairement débranché au niveau de ce branchement lorsque le cordon de la lampe est tiré d'un manchon de conduit ou d'un mur de matériaux inertes. Une fois le cordon tiré, le pilote doit être rebranché avant que la lampe soit branchée à une source d'alimentation. Ne pas rebrancher le pilote endommagera la barre d'éclairage et annulera la garantie. Assurez-vous que les flèches sont bien alignées sur la fiche à branchement rapide lorsque vous reconnectez le pilote.

- Le retrait permanent du pilote et la coupe ou le raccourcissement du cordon entre l'entraîneur et le Colorfalls endommagera la barre d'éclairage et annulera la garantie.

Le ColorFalls doit être accessible pour les activités d'entretien et de maintenance. Installer le ColorFalls de façon à ce que le corps soit amovible en entier est vivement recommandé. Ne pas coller les pierres de couronnement au-dessus du ColorFalls ni cimenter le ColorFalls de façon permanente.

Le Colorfalls peut supporter 18,1 kg par 30 centimètres (c'est-à-dire qu'un Colorfalls de 24" pourra supporter 36,2 kg). Si le poids du déversoir dépassait ce niveau, il vous faudrait fournir un support par linteau pour le poids excédentaire. Ce support doit toujours rester en contact avec le déversoir pour éviter qu'il ne ripe.

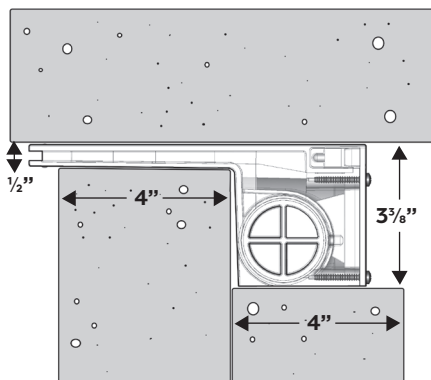
Consultez le tableau qui suit pour le positionnement du Colorfalls au-dessus du bassin ou de la mare. Si le positionnement du Colorfalls dépasse la hauteur recommandée, la perte d'eau augmentera sensiblement du fait des éclaboussures et de l'eau emportée par le vent.

Colorfalls	Hauteur max. de chute au-dessus du bassin	Débit
CC06	18"	600 GPH (37,85 L/min.)
CC12	24"	1200 GPH (75,70 L/min.)
CC24	30"	2400 GPH (151,40 L/min.)
CC36	36"	3600 GPH (227,10 L/min.)

Installation de chutes d'eau aux couleurs changeantes

L'ouverture dans le mur où la chute aux couleurs changeantes sera placée est importante pour son bon fonctionnement. Si elle n'est pas d'aplomb et exempte de débris la chute ne fonctionnera pas correctement. La base du corps de chute colorée ainsi que le bas de la lèvres de déversoir doivent être supportés par l'ouverture dans laquelle ils sont placés. Le déversoir de la chute colorée doit dépasser du mur entre 1/2" et 1" (12,7-25,4 mm). La partie du haut de l'ouverture doit aussi être en contact avec la chute colorée pour éviter qu'elle se décale. Voyez la Figure 1 pour la bonne taille de l'ouverture accueillant la chute colorée.

Figure 1



Plomberie pour un seul Colorfalls

Chaque déversoir de ColorFalls est équipé de trois ports d'admission filetés pratiques de 1-1/2" qui sont compatibles avec les raccords MPT Sch 40 de 1-1/2". Choisir une ou plusieurs des trois admissions pour la plomberie : vous pouvez la raccorder directement soit au milieu à l'arrière de l'appareil, soit sur les deux côtés.

(Raccorder le ColorFalls d'un côté seulement provoque une chute d'eau inégale. Les conduites d'alimentation doivent être connectées des deux côtés afin d'assurer un écoulement d'eau uniforme.) Obturer les admissions non utilisées à l'aide des bouchons qui sont fournis. Les bouchons, qui sont munis de joints toriques, peuvent être installés sans pâte d'étanchéité sur les filets.

L'installation d'un robinet à tournant sphérique (non inclus) dans la conduite d'alimentation entre la pompe et le Colorfalls est recommandée pour plus de contrôle sur l'écoulement de l'eau.

Plomberie pour un ensemble de Colorfalls Connecter les Colorfalls à l'aide du raccord fileté (inclus) de 1-1/2".

Commencez par installer une extrémité du raccord dans l'admission latérale de l'un des Colorfalls. Aligner le deuxième Colorfalls et le faire tourner sur le raccord fileté (visser ensemble les deux unités). Avant de les serrer complètement, installer le joint à double face (inclus) à l'extrémité du déversoir entre les unités. Ceci permet de créer un joint étanche au point de rencontre des déversoirs. Écarter les déversoirs des Colorfalls tout en effectuant le dernier tour du corps du Colorfalls. Après avoir assuré un alignement correct, presser ensemble les déversoirs des deux unités (intercaler le joint) afin d'assurer qu'il est en contact avec les deux unités.

Figure 2

Raccord de 1-1/2"

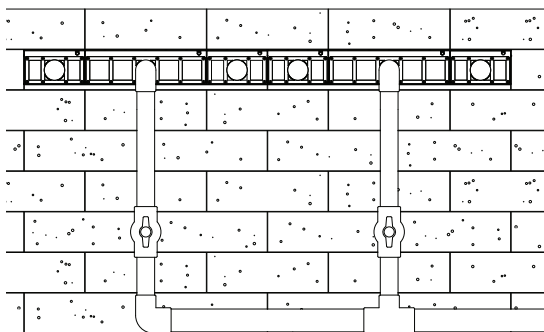


Quand vous reliez ensemble par la plomberie plusieurs Colorfalls à couleurs changeantes, utilisez l'entrée arrière centrale sur chaque Colorfalls individuel, en obturant les entrées de côté, que vous utilisiez une ou plusieurs pompes. Cela va équilibrer le débit de l'eau allant aux chutes.

Remarque: Si vous raccordez deux cascades Colorfalls de tailles différentes, des robinets à bille doivent être ajoutés sur chaque conduite d'alimentation verticale pour équilibrer l'écoulement de l'eau dans chaque unité.

Les conduites individuelles d'alimentation de chaque Colorfalls doivent être en PVC de 1/2". Si vous utilisez une seule pompe pour plusieurs Colorfalls, la conduite d'arrivée principale doit faire 2" ou plus. La conduite d'arrivée principale doit courir horizontalement le long de l'arrière du mur, avec des conduites d'alimentation verticales en 1/2" vers chacun des Colorfalls (Figure 3).

Figure 3



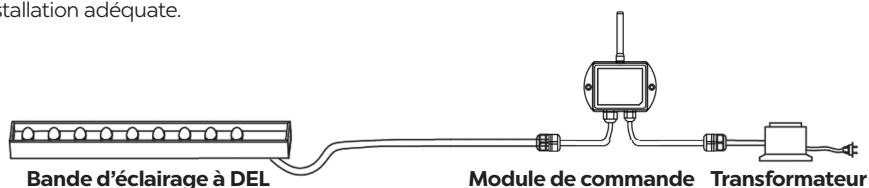
Raccordement de la barre lumineuse

Toutes les Colorfalls à couleur changeante les composants de câblage sont branchées grâce à une fiche à branchement rapide à six broches. Les Colorfalls à couleur changeante ne fonctionnent pas si les fiches ne sont pas correctement alignées. Les connecteurs à six broches sont équipés de flèches surélevées qui indiquent le bon alignement.

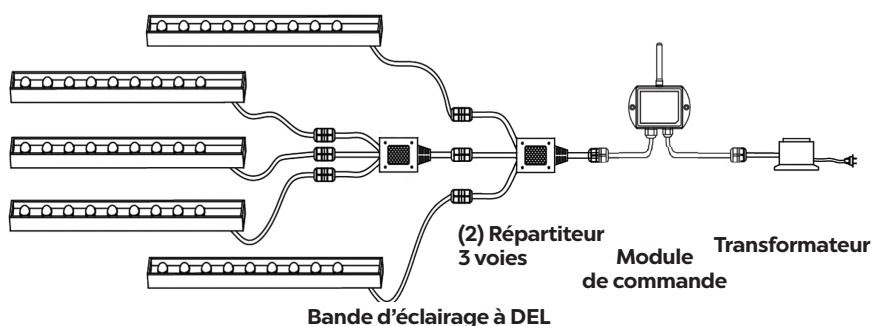
Les fiches à branchement rapide à six broches pour changement de couleur amènent le courant C.A. et C.C. au pilote en ligne. Si de l'humidité pénètre les raccords, les courants alternatifs et continus pourraient se croiser, ce qui pourrait endommager la barre d'éclairage.

Les fiches à branchement rapide à six broches sont équipées d'un joint d'étanchéité pour usage à l'extérieur et doivent être bien serrées pour empêcher les infiltrations d'eau. Les fiches à branchement rapide ne sont pas étanches et ne doivent pas être immergées. De la graisse diélectrique (que l'on peut trouver dans le département électrique de la plupart des quincailleries) doit aussi être utilisée dans tous les raccords pour éliminer les infiltrations d'eau.

Le transformateur doit être branché dans une prise à disjoncteur de fuite correctement mise à la terre. Veuillez suivre le schéma de connexion ci-dessous pour réaliser une installation adéquate.



L'ensemble de câblage Atlantic CCCM05 (vendu séparément) permet l'installation simultanée d'un maximum de cinq (5) lampes à couleur changeante (peu importe le modèle), contrôlées par un même transformateur, module de commande et télécommande. Suivre le schéma de connexion ci-dessous pour réaliser une installation adéquate de l'ensemble de câblage CCCM05.



Module de commande Installation

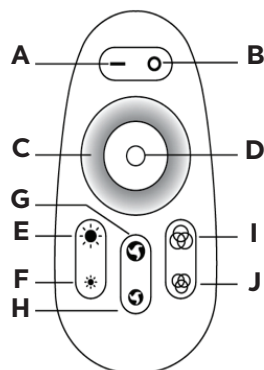
Le module de commande est à l'épreuve des intempéries et a une cote IP54. Ne l'immergez et ne l'exposez pas à une pluie abondante. Celui-ci doit être installé plus haut que le niveau du sol, à la verticale et à proximité de sa source d'alimentation. Ne pas respecter cette condition annulera la garantie.

- Retirez le capuchon protecteur rouge qui recouvre le module de commande, puis installez l'antenne. Vissez solidement l'antenne noire, en vous assurant qu'elle est bien appuyée contre le joint.
- Installez le boîtier de commande dans un lieu bien aéré afin de veiller à ce que le module fonctionne selon la température de fonctionnement spécifiée.
- Vérifiez si la tension d'entrée du module de commande est de 12 volts C.A. Nous vous recommandons d'utiliser le transformateur fourni avec ce module.
- Veillez à ce que tous les raccords de câble soient sécuritaires.

- Ne raccordez pas à l'alimentation avant que les raccords de cordon soient terminés.
- Ne coupez pas ou n'altérez pas le cordon entre l'éclairage SOL et le module de commande.
- La télécommande exige deux (2) piles AAA (non comprises). **Ne touchez pas la face de la télécommande lorsque vous insérez les piles.**

Fonctions de commande à distance

A	Bouton M (On) Appuyez puis relâchez pour activer les éclairages. Appuyez pendant deux secondes pour commuter entre les modes de changement de couleur par roue ou d'éclairage prédéterminé.
B	Bouton d'arrêt (Off)
C	Disque de couleurs
D	Voyant indicateur
E	Luminosité (augmentation)
F	Luminosité (diminution)
G	Vitesse (augmentation)
H	Vitesse (diminution)
I	Sélection de mode de changement d'éclairage prédéterminé (montant)
J	Sélection de mode de changement d'éclairage prédéterminé (descendant)



Modes de changements d'éclairage prédéterminés

1	Changement continu sur tout le spectre par fondu enchaîné	10	Changement par bond entre les 7 couleurs
2	Blanc pur cristallin	11	Changements par fondu enchaîné entre rouge, vert et bleu
3	Rouge franc	12	Changement par fondu enchaîné entre les 7 couleurs
4	Vert franc	13	Changement entre les 7 couleurs d'abord par fondus puis par bonds
5	Bleu franc	14	Établissement/enlèvement progressifs du blanc pur
6	Couleur eau	15	Rouge clignotant
7	Violet franc	16	Vert clignotant
8	Jaune franc	17	Bleu clignotant
9	Changements par bond entre rouge, vert et bleu	18	Rouge et bleu clignotants

Sélection des modes

- Pour passer au disque des couleurs : Maintenez le bouton A pendant 2 secondes et la barre d'éclairage va revenir à la dernière couleur affichée en étant dans le mode de disque des couleurs. Passez votre doigt autour du disque des couleurs pour sélectionner une nouvelle couleur.
- Pour passer en mode de changement de couleurs prédéterminés : Maintenez le bouton A pendant 2 secondes et la barre d'éclairage va revenir à la dernière couleur dans le mode de changement des couleurs prédéterminés. Actionnez les boutons I et J pour commuter entre les différents modes prédéterminés.

Changement de la luminosité et de la vitesse

Dans tous les modes, vous pouvez utiliser les touches E et F pour modifier la luminosité de l'éclairage. Dans tous les modes, vous pouvez utiliser les touches G et H pour modifier la vitesse des transitions d'éclairage. Il existe 10 niveaux pour chacun de ces réglages.

Synchronisation de la télécommande avec l'unité de commande

Si la commande à distance cesse de fonctionner correctement, pensez à y installer des piles neuves. Si le problème persiste, la télécommande peut avoir besoin d'être resynchronisée avec le module de commande.

Suivez ces instructions pour resynchroniser la télécommande:

1. Débranchez le transformateur.
2. Maintenez le bouton E enfoncé (le voyant indicateur rouge de la télécommande sera illuminé).
3. Tout en maintenant ce bouton E enfoncé, rebranchez le transformateur. La chute colorée va commencer à clignoter.
 - Si la chute colorée clignote trois fois et cesse, c'est que la télécommande et l'unité de commande sont synchronisés.
 - Si la chute colorée clignote six fois ou plus, c'est qu'il y a effacement de tous les codes. Recommencez alors les étapes 1 à 3.

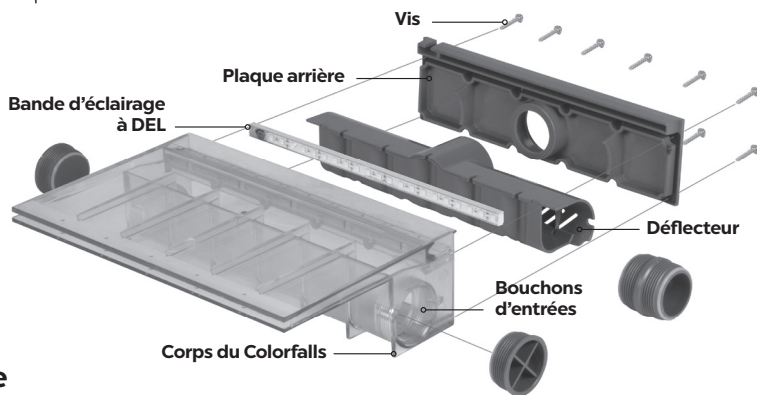
Entretien

Le Colorfalls à couleurs changeantes d'Atlantic comporte une plaque arrière amovible pour faciliter le nettoyage à l'intérieur du déversoir. Pour nettoyer l'intérieur du déversoir, enlevez simplement les vis de la plaque arrière et enlevez le déflecteur. Dégagez toutes les grosses obstructions qui peuvent être présentes et essuyez l'intérieur avec un chiffon non-abrasif. Une fois que c'est fait, remettez le déflecteur en place et refermez la plaque arrière, en vous assurant que le joint est en place afin d'assurer une bonne étanchéité.

Attention: Faites très attention en serrant les vis. Il est fortement recommandé de le faire en utilisant un tournevis à main. Un excès de serrage peut fissurer la plaque arrière ou endommager le filetage des trous pour vis. Les vis n'ont besoin que de comprimer suffisamment le joint pour assurer l'étanchéité.

Les cascades Colorfalls à changement de couleur d'Atlantic se purgent automatiquement, permettant une hivernisation facile. Lorsque la pompe est mise à l'arrêt, l'eau à l'intérieur de la cascade Colorfalls retourne vers la conduite d'alimentation. Assurez-vous que la conduite d'alimentation est complètement drainée. Retirez la pompe et rangez-la à l'intérieur durant l'hiver. Si la cascade Colorfalls est installée avec un bassin de cascade Colorfalls d'Atlantic, veuillez vous reporter aux instructions de cet ensemble afin d'assurer une hivernisation adéquate.

Figure 4



Garantie

Le Colorfalls et tous ses composants portent une garantie limitée d'un an. Cette garantie limitée est accordée seulement à l'acheteur d'origine, et commence à la date de la facture de l'achat d'origine, elle est caduque si un de ces points s'applique :

- Le cordon a été coupé ou altéré entre le Colorfalls et le module de commande.

- Il y a eu mésusage ou abus avec le Colorfalls.
- Le Colorfalls a été démonté ou modifié d'une façon autre que celle décrite dans ce manuel.
- Le module de commande et/ou la commande à distance n'ont pas été correctement protégés de l'humidité.
- Cette garantie exclut la main-d'œuvre et les coûts de la main-d'œuvre pour l'enlèvement ou l'installation d'un produit.

Guide de dépannage

Coupez toujours l'alimentation électrique avant d'inspecter le Colorfalls. Ne pas observer cette précaution peut entraîner un accident grave. Avant de demander des réparations, lisez attentivement ce tableau d'aide. Si le problème persiste, contactez votre revendeur.

Problème	Cause possible	Solution possible
Las barre d'éclairage ne s'allument pas	Aucune alimentation d'entrée vers le transformateur	Vérifier si l'alimentation à la prise est sous tension/ vérifier le bouton de réinitialisation du disjoncteur de fuite de terre
	Pas de puissance de sortie du transformateur	Vérifier le bouton de réinitialisation/ coupe-circuit du transformateur Vérifier si le transformateur est fonctionnel en déplaçant l'heure en position ON Utiliser un voltmètre pour vérifier si le transformateur produit du courant alternatif 12 volts
La couleur de barre d'éclairage est différente de celle de la télécommande	Branchement inadéquat entre barre d'éclairage et le module de commande	Inspecter le branchement/aligner la flèche sur les fiches
	Défaillance du contrôleur	Communiquer avec le détaillant afin d'obtenir une réparation ou un remplacement
Les Colorfalls à l'intérieur d'un système plus grand ne fonctionnent pas	Branchement inadéquat au répartiteur à 3 voies / module de commande	Inspecter le branchement/aligner la flèche sur les fiches
	Répartiteur 3 voies défectueux	Changer la lampe de place avec une Colorfalls fonctionnelle, sur le même répartiteur, pour déterminer si le répartiteur cause le problème.
	Connexion lâche Humidité ou corrosion dans les raccords	Inspecter les fiches à branchement rapide à la recherche d'humidité, de corrosion ou d'un joint d'étanchéité manquant. Nettoyer/assécher /Appliquer de la graisse diélectrique et réassembler.
	Pilote défectueux	Utiliser si possible un pilote couplé à une Colorfalls du même modèle afin de déterminer si le pilote est défectueux. Des pilotes de rechange sont disponibles.
	Barre d'éclairage défectueuse	Si possible, mettre hors circuit la barre d'éclairage avec une barre d'éclairage d'une lampe fonctionnelle du même modèle afin de déterminer si le pilote est défectueux. Des barres d'éclairage de rechange sont disponibles.

Problème	Cause possible	Solution possible
La télécommande ne fonctionne pas (pas de témoin)	Pas de piles/piles déchargées	Insérer des piles neuves.
La télécommande ne fonctionne pas (le témoin est allumé)	La télécommande n'est pas synchronisée avec le module de commande	Consulter les instructions de synchronisation de la télécommande en page 14.
Les lampes répondent à la télécommande de façon intermittente	Connexion lâche Humidité ou corrosion dans les raccords	Inspecter les fiches à branchement rapide à la recherche d'humidité, de corrosion ou d'un joint d'étanchéité manquant. Nettoyer/assécher /Appliquer de la graisse diélectrique et réassembler.
De l'eau fuit du corps de Colorfalls	Mauvais raccordement de plomberie	Inspectez toute la plomberie et les bouchons
	Joint pas en place	Vérifiez que le joint de la plaque arrière est bien placé
	Vis de plaque arrière pas assez serrées	Vérifiez le bon serrage des vis
Écoulement d'eau diminué	Admission de pompe obstruée	Éliminez les débris de l'admission de pompe
	Obstruction dans la conduite de plomberie	Inspectez la conduite et dégagez-la si nécessaire
	Débris dans le déversoir de Colorfalls	Référez-vous à la page 14 du manuel.
Le déversoir du Colorfalls se fend	Débris dans le déversoir de Colorfalls	Référez-vous à la page 14 du manuel.

Introducción

Gracias por elegir las cascadas Colorfalls que cambian de colores (Color Changing) de Atlantic. Las cascadas Colorfalls están diseñadas para utilizarse en aplicaciones sin estanque y como fuentes. Las cascadas Colorfalls que cambian de colores tienen una abertura más grande que produce una lámina de agua más gruesa y que se obstruye menos por suciedad en el agua, una barra de luz LED que cambia de colores controlada por control remoto, y una placa trasera removible que proporciona acceso al interior del vertedero para fácil mantenimiento y preparación para el invierno.

Antes de la instalación y puesta en funcionamiento

Precaución:

- Las cascadas Colorfalls están diseñadas para utilizarse en aplicaciones sin estanque y como fuentes. Las cascadas Colorfalls no están diseñadas para uso en jardines acuáticos o estanques con plantas o vida acuática.
- NO haga funcionar este producto en condiciones distintas de aquellas para las que está especificado. El incumplimiento de estas precauciones puede derivar en choque eléctrico, falla del producto u otros problemas.
- Siga todos los aspectos de los códigos eléctricos cuando instale las cascadas Colorfalls que cambian de colores.
- Para reducir el riesgo de choque eléctrico, conecte el transformador a un tomacorriente de 120 voltios protegido con interruptor de circuito por falla de conexión a tierra (ground fault circuit interrupter, GFCI).
- Siempre verifique que la cubierta del objetivo esté asegurada de manera firme antes de sumergir el artefacto
- Los enchufes de conexión rápida de seis cables con cambio de color llevan AC y DC al conductor en la línea. La entrada de humedad en las conexiones permitirá que la corriente AC y DC se crucen, lo cual puede dañar el sistema de iluminación.
- Los tapones de conexión rápida de seis cables están sellados herméticamente para su uso en exteriores y **deben ajustarse a tope para evitar la infiltración de agua**. Los enchufes de conexión rápida no son a prueba de agua y no deben sumergirse. Se debe usar grasa dieléctrica (se consigue en el departamento de electricidad de la mayoría de las tiendas de mejoras para el hogar) en todas las conexiones para eliminar la infiltración de agua.
- La entrada de energía al Módulo de control de cambio de color es de 12 voltios de AC.
- El Módulo de control puede conectarse a un transformador de iluminación exterior más grande; sin embargo, esto debe realizarse en el lado de la entrada de 12 voltios de AC del Módulo de control. Retirar el módulo de control o manipular el cable entre el Módulo de control y el artefacto des cascadas Colorfalls dañará la barra de luces y anulará la garantía.
- El Módulo de control es resistente al clima y tiene una clasificación IP54. No sumerja el Módulo de control ni lo exponga a fuertes lluvias. Lo debe montar sin apoyarlo en el suelo, cerca de la fuente de alimentación eléctrica. El incumplimiento de esta indicación anulará la garantía.
- Un pequeño conductor rectangular con la etiqueta *NO RETIRAR* se conecta al extremo del cable de barra de luces mediante un enchufe de conexión rápida. El conductor convierte la corriente AC del transformador en corriente continua (Direct Current, DC) antes de que sea enviada a la barra de luces.
- El conductor puede ser desconectado de esta distribución de forma temporaria al jalar del cable de la luz a través de un manguito de conducción o muro de paisajismo de piedra o concreto. Una vez que el cable se jaló, el conductor debe volver a unirse antes de conectar la luz a una fuente de alimentación. No volver a unir el conductor dañará el LED e invalidará la garantía. Asegúrese de alinear las flechas en el tapón de conexión rápida cuando vuelva a conectar el conductor.

- Retirar el conductor de forma permanente o cortar o acortar el cable entre el conductor y el artefacto des cascada Colorfalls dañará la barra de luces e invalidará la garantía.

Las ColorFalls deben estar accesibles para darles servicio y mantenimiento. Se recomienda instalar las ColorFalls de modo que el cuerpo entero se pueda extraer. No pegue con adhesivo las piedras superiores sobre las ColorFalls ni fije permanentemente con cemento las ColorFalls en su sitio.

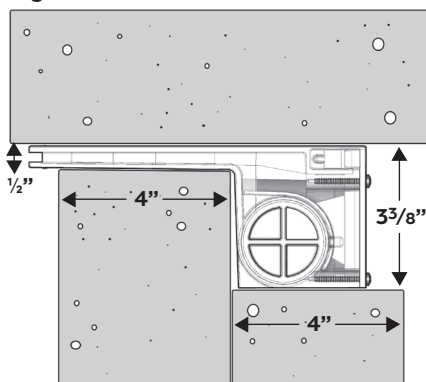
La cascada Colorfalls puede soportar 40 lbs. por pie lineal (ejemplo, una cascada Colorfalls de 24" puede soportar 80 lbs.). Si el peso sobre el vertedero excede esa cantidad, usted necesitará suministrar un soporte horizontal a lo largo del borde para el peso adicional. Este soporte deberá hacer contacto con el vertedero para evitar su desplazamiento. Vea la siguiente tabla para la ubicación recomendada de la cascada Colorfalls sobre el estanque o pileta. Si la ubicación de la cascada Colorfalls excede la altura recomendada, la pérdida de agua aumentará significativamente debido al salpicado y arrastre por el viento.

Colorfalls	Altura máxima de la cascada sobre el estanque	Velocidad de flujo
CC06	18"	600 GPH (37,85 L/min.)
CC12	24"	1200 GPH (75,70 L/min.)
CC24	30"	2400 GPH (151,40 L/min.)
CC36	36"	3600 GPH (227,10 L/min.)

Instalación de la cascada Colorfalls de colores cambiantes

La abertura de la pared en la que se coloca la Colorfalls es importante para su funcionamiento. Si no está nivelada y libre de desperdicios, la Colorfalls no funcionará correctamente. La base del cuerpo de la Colorfalls, así como el fondo del reborde del desagüe, deben estar sostenidos por la abertura en la que se la coloca. El desagüe de la Colorfalls debe sobresalir de la pared $\frac{1}{2}$ " como mínimo y 1" como máximo. El lado superior de la abertura debe estar también en contacto con la Colorfalls, para evitar que se desplace. Vea el tamaño adecuado de la abertura para la Colorfalls en la Figura 1.

Figura 1



Instalación de tubería para una (1) cascada Colorfalls

Cada aliviadero de ColorFalls está equipado con tres convenientes entradas roscadas de $1\frac{1}{2}$ " para aceptar conectores Sch 40 MPT de $1\frac{1}{2}$ ". Escoja una o más de las tres entradas para la tubería: puede conectar tubería directamente en el centro de la parte trasera de la unidad, o en ambos lados. (Conectar ColorFalls a la tubería sólo de un lado producirá una cortina de agua desigual. Las líneas de alimentación deben conectarse a ambos lados para asegurar un flujo de agua uniforme). Cerrar las entradas no utilizadas con los tapones suministrados. Los tapones tienen juntas tóricas y pueden instalarse sin sellador de roscas.

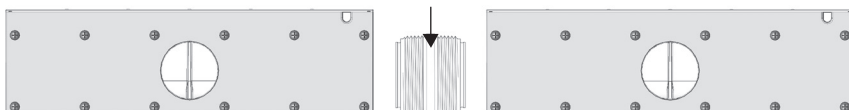
Se recomienda instalar una válvula de bola (no incluida) en el tubo de alimentación entre la bomba y la cascada Colorfalls para mayor control del flujo de agua.

Instalación de tubería para cascadas Colorfalls modulares

Conecte las Colorfalls entre sí con el conector roscado de 1-1/2" (incluido). Comience instalando un extremo del conector en la entrada lateral de una Colorfalls. Alinee la segunda Colorfalls y gírela para que entre en el conector roscado (atornillar las dos unidades juntas). Antes de que estén completamente apretadas, instale el empaque de cara doble (incluido) en el extremo del aliviadero entre las unidades. Esto creará un sello hermético donde se unen los aliviaderos. Separe los aliviaderos de las Colorfalls mientras lleva a cabo la última vuelta del cuerpo de las Colorfalls. Una vez que haya garantizado una alineación correcta, una presionando los aliviaderos de dos unidades (intercalando el empaque) para asegurarse de que esté en contacto con ambas unidades.

Figura 2

Accesorio conector de 1-1/2"



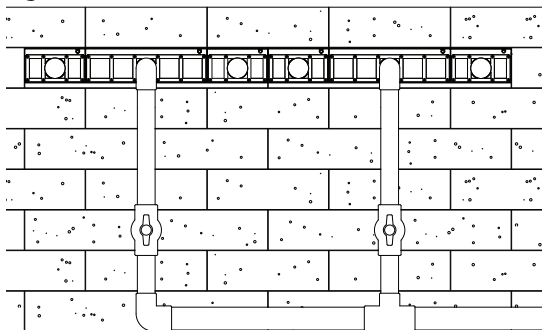
Al instalar la tubería de múltiples cascadas Colorfalls que cambian de colores, utilice la boca de entrada central trasera de cada cascada Colorfalls individual, tapando las entradas laterales, sin importar si usted está utilizando una (1) bomba o múltiples bombas. Esto equilibrará el flujo de agua que fluye hacia las cascadas.

Nota: Si conecta Colorfalls de dos tamaños diferentes, se debe agregar una válvula de bola en cada línea de alimentación vertical para equilibrar el flujo de agua en cada unidad.

Los tubos de alimentación individuales hacia cada cascada Colorfalls deben ser de 1/2" de PVC. Si se utiliza una (1) bomba para alimentar múltiples cascadas Colorfalls, el tubo de alimentación principal debe ser de 2" o superior.

El tubo de alimentación principal debe instalarse horizontalmente a lo largo de la parte trasera de la pared con tubos de alimentación verticales de 1/2" que se ramifican hacia cada cascada Colorfalls (Figura 3).

Figura 3



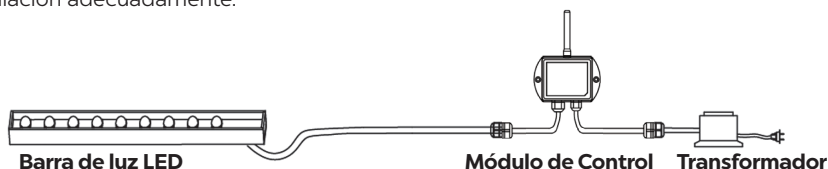
Conexión de la barra de luz

Todas las cascadas Colorfalls que cambian de color los componentes de cableado se conectan con un enchufe de conexión rápida de seis cables. Las luces LED que cambian de color de la línea SOL no funcionan si los enchufes no están bien alineados. Los conectores de seis clavijas tienen flechas en relieve que indican la alineación correcta.

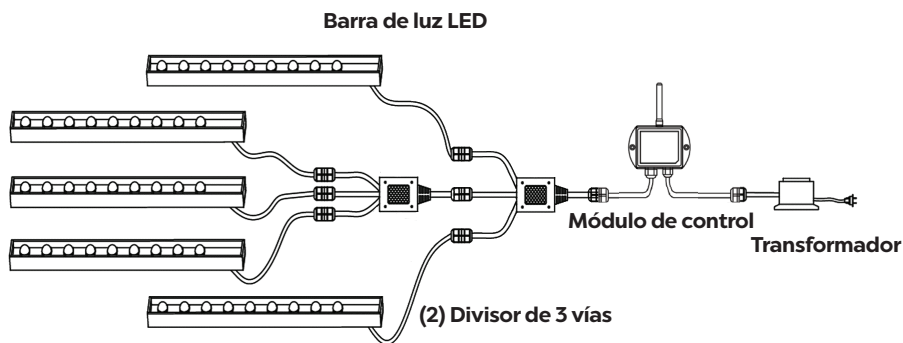
Los enchufes de conexión rápida de seis cables con cambio de color llevan AC y DC al conductor en la línea. La entrada de humedad en las conexiones permitirá que la corriente AC y DC se crucen, lo cual puede dañar el barra de luces.

Los tapones de conexión rápida de seis cables están sellados herméticamente para su uso en exteriores y deben ajustarse a tope para evitar la infiltración de agua. Los enchufes de conexión rápida no son a prueba de agua y no deben sumergirse. Se debe usar grasa dieléctrica (se consigue en el departamento de electricidad de la mayoría de las tiendas de mejoras para el hogar) en todas las conexiones para eliminar la infiltración de agua.

El transformador debe estar conectado a una toma interruptor de circuito de falla conectado a tierra (Ground Fault Circuit Interrupter, GFCI) correctamente conectada a tierra. Siga el diagrama de conexión que aparece a continuación para realizar la instalación adecuadamente.



El kit de cableado CCCM05 (se vende por separado) permite que se instalen en conjunto hasta cinco luces que cambian de color (Color Changing Colorfalls) (cualquier modelo) y que se les controle con un único transformador, módulo de control y control remoto. Siga el diagrama de conexión que aparece a continuación para realizar la instalación del kit de cableado CCCM05 adecuadamente.

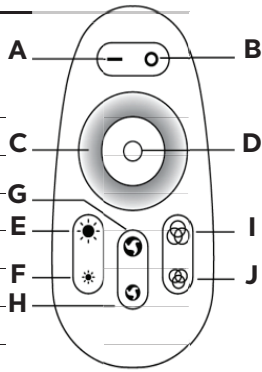


Módulo de control Instalación

El Módulo de control es resistente al clima y tiene una clasificación IP54. No lo sumerja ni lo exponga a fuertes lluvias. Lo debe montar sin apoyarlo en el suelo con la antena en posición vertical, cerca de la fuente de alimentación eléctrica. El incumplimiento de esta indicación anulará la garantía.

- Retire la capa roja protectora de la parte superior del módulo de control e instale la antena. Inserte la antena negra hasta que quede ajustada, asegúrese de que quede sellado en la junta.
- Instale la caja de controles en un área bien ventilada para asegurar que el módulo opera dentro de su temperatura de funcionamiento especificada.
- Verifique que el voltaje de entrada del módulo de control sea de 12 voltios AC. Recomendamos que use el transformador provisto con esta unidad.
- Asegúrese de que todas las conexiones de cables sean seguras.
- No conecte la energía antes de que las conexiones de los cables estén completas.
- No corte ni altere el cable entre la luz SOL y el Módulo de control.
- El control remoto requiere dos (2) pilas AAA (no incluidas). **No toque la cara del control remoto mientras inserta las baterías.**

Funciones del Control Remoto

A	Botón Encendido (I) Toque y suelte para encender las luces. Toque durante dos segundos para conmutar entre la Rueda de colores y los Modos de cambio de luces preseleccionados.	A		B
B	Botón Apagado (O)	C		D
C	Rueda de colores	G		
D	Luz indicadora	E		I
E	Brillo (subir)	F		J
F	Brillo (bajar)	H		
G	Velocidad (subir)			
H	Velocidad (bajar)			
I	Selección del Modo de cambio de luces preseleccionado (subir)			
J	Selección del Modo de cambio de luces preseleccionado (bajar)			

Preajuste Luz Cambio de modos

1	Espectro completo continuo, cambio gradual	10	7 colores, cambio brusco
2	Blanco cristal continuo	11	Rojo-verde-azul, cambio con atenuador
3	Rojo continuo	12	7 colores, cambio con atenuador
4	Verde continuo	13	7 colores, cambio con atenuador, seguido de 7 colores, cambio brusco
5	Azul continuo	14	Blanco cristal, encendido/apagado gradual
6	Aguamarina continuo	15	Rojo destellante
7	Púrpura continuo	16	Verde destellante
8	Amarillo continuo	17	Azul destellante
9	Rojo-verde-azul, cambio brusco	18	Rojo y azul destellantes

Selección de modo

- Para conmutar a la Rueda de colores: retenga el botón A durante dos segundos. La barra de luces volverá al último color exhibido cuando estaba en el modo Rueda de colores. Recorra la rueda de colores con su dedo para seleccionar un nuevo color.
- Para conmutar a los Modos de cambio de Luces preseleccionados: retenga el botón A durante dos segundos. La barra de luces volverá al último modo preseleccionado exhibido cuando estaba en los modos de cambio de luces. Oprima los botones I y J para conmutar entre los diferentes modos preseleccionados.

Cambio del brillo y de la velocidad

En todos los modos, puede utilizar las teclas E y F para cambiar el brillo de la luz. En todos los modos, puede utilizar las teclas G y H para cambiar la velocidad de las transiciones de la luz. Existen 10 niveles para cada uno.

Sincronización del control remoto con la unidad de control

Si el control remoto deja de funcionar correctamente, instale baterías nuevas. Si los problemas persisten, es posible que se necesite volver a sincronizar el control remoto con el módulo de control.

Observe las instrucciones siguientes para volver a sincronizar el control remoto.

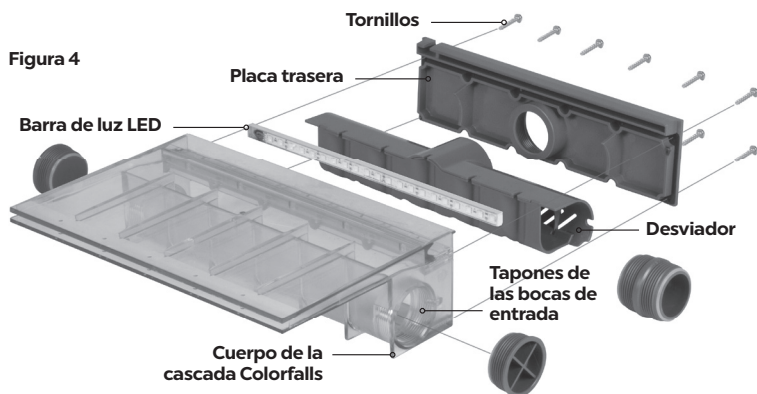
1. Desenchufe el transformador.
2. Mantenga el botón E oprimido (la luz indicadora roja del control remoto será prendida).
3. Mientras mantiene el botón E oprimido, enchufe el transformador. La Colorfalls comenzará a destellar.
 - Si la Colorfalls destella tres veces y se interrumpe, significa que el control remoto y la unidad de control están sincronizados.
 - Si la Colorfalls destella seis veces o más, significa que está borrando todos los códigos. Repita los pasos 1 a 3.

Mantenimiento

La cascada Colorfalls que cambia de colores de Atlantic tiene una placa trasera removible para fácil limpieza del interior del vertedero. Para limpiar el interior del vertedero, simplemente remueva los tornillos de la placa trasera y remueva el desviador (Figura 4). Quite cualquier obstrucción grande que pudiera haber y limpie el interior con un trapo no abrasivo. Después de terminar, instale el desviador y sujete nuevamente la placa trasera, verificando que la empaquetadura quede en su sitio para garantizar un sellado hermético.

Precaución: Tenga extremo cuidado al apretar los tornillos. Se recomienda encarecidamente que usted apriete los tornillos con un destornillador de mano. El apriete excesivo de los tornillos podría agrietar la placa trasera o desgastar los orificios para tornillo. Los tornillos sólo deben apretarse de manera ceñida para que la empaquetadura obtenga el sellado hermético.

Colorfalls de colores cambiantes de Atlantic cuentan con autodrenaje para la fácil preparación para el invierno. Cuando se apaga la bomba, el agua en el interior de Colorfalls se drena a través de la línea de suministro. Asegúrese de que la línea de suministro se haya drenado por completo. Quite la bomba y guárdela en un área interior durante el invierno. Si se ha instalado Colorfalls con una cuenca Atlantic Colorfalls, consulte las instrucciones del kit para cuencas para preparar apropiadamente la cuenca para el invierno.



Garantía

Las cascadas Colorfalls y todos sus componentes tienen una garantía limitada de un (1) año. Esta garantía limitada sólo se otorga al comprador original a partir de la fecha indicada en el recibo de compra original y se anula si ocurre algo de lo siguiente:

- El cable de alimentación eléctrica ha sido cortado o alterado entre la cascada Colorfalls y el Módulo de Control.
- La cascada Colorfalls se ha utilizado de manera incorrecta o ha sido maltratada.

- La cascada Colorfalls ha sido desensamblada o modificada de manera diferente a como se describe en este manual.
- El Módulo de Control y/o el Control Remoto no ha sido protegidos adecuadamente contra la humedad.
- Esta garantía excluye la mano de obra y los costos de mano de obra por la retirada o instalación de cualquier producto.

Guía para solución de problemas

Siempre desconecte la energía antes de inspeccionar la cascada Colorfalls. No seguir esta precaución puede resultar en un accidente grave. Antes de solicitar reparaciones, lea cuidadosamente este manual de instrucciones. Si el problema persiste, comuníquese con su distribuidor.

Problem	Possible Cause	Possible Solution
La barra de luces no se encienden	No hay alimentación eléctrica de entrada al transformador	Verifique que haya alimentación eléctrica hacia el tomacorriente/Revise el botón de restablecimiento del GFCI
	Sin potencia de salida del transformador	Revise el botón de restablecimiento/disyuntor del transformado Verifique si el transformador funciona: lleve el interruptor de tiempo a la posición ON (encendido) Utilice un voltímetro para verificar si el transformador está produciendo 12 voltios de AC
El color de la barra de luces difiere del control remoto	Conexión incorrecta entre la barra de luces y el módulo de control	Inspeccionar la conexión y alinear las flechas en los enchufes
	Falla del controlador	Comuníquese con el distribuidor para reparación o reemplazo
Las cascada Colorfalls individuales dentro de un sistema más grande no están funcionando	Conexión incorrecta al divisor de 3 vías o al módulo de control	Inspeccionar la conexión y alinear las flechas en los enchufes
	El divisor de 3 vías es defectuoso	Cambie posiciones con una cascada Colorfalls que funcione en el mismo divisor para identificar si el divisor está causando el problema.
	Conexión suelta debido a humedad o corrosión en las conexiones	Inspecciones los enchufes de conexión rápida para saber si hay humedad, corrosión o si falta una junta. Limpie, seque, aplicar grasa dieléctrica y vuelva a armar.
	Conductor fallado	De ser posible, cambie el conductor por otro de una cascada Colorfalls que funcione del mismo modelo para determinar si el conductor ha fallado. Hay conductores de reemplazo disponibles.
	Barra de luces fallada	De ser posible, cambie el conductor de la barra de luces (Light Bar) por otro que funcione del mismo modelo para determinar si el conductor ha fallado. Hay barras de luces de reemplazo disponibles.

Problem	Possible Cause	Possible Solution
El control remoto no está funcionando (no hay luz indicadora)	No hay pilas o las pilas están agotadas	Poner pilas nuevas
El control remoto no está funcionando (la luz indicadora está encendida)	El control remoto no está sincronizado con el módulo de control	Consultar las instrucciones sobre cómo sincronizar el control remoto en la página 21.
Se ilumina intermitentemente respondiendo al control remoto	Conexión suelta debido a humedad o corrosión en las conexiones	Inspeccione los enchufes de conexión rápida para saber si hay humedad, corrosión o si falta una junta. Limpie, seque, aplicar grasa dieléctrica y vuelva a armar.
El agua se fuga a través del cuerpo de la cascada Colorfalls	Mala conexión de la tubería	Inspeccione toda la tubería y tapones.
	Empaquetadura fuera de sitio	Verifique que la empaquetadura en la placa trasera está en su posición apropiada.
	Los tornillos en la placa trasera están demasiado flojos	Revise que todos los tornillos están totalmente apretados.
Flujo de agua disminuido	Entrada de la bomba está obstruido	Elimine la suciedad de la entrada de la bomba.
	Obstrucción en la tubería	Inspeccione la tubería y remueva cualquier suciedad.
	Suciedad en el vertedero de la cascada Colorfalls	Consulte la sección de Mantenimiento en la página 232
La lámina de agua de la cascada se está dividiendo	Suciedad en el vertedero de la cascada Colorfalls	Consulte la sección de Mantenimiento en la página 22.



1.330.274.8317

www.ATLANTICWATERGARDENS.com