



EN

FR

ES



AquaMax Eco Premium

2500, 3500, 4500, 5500

EN Operating instructions

FR Notice d'emploi

ES Instrucciones de uso

Original operating manual. This operating manual belongs with the unit and must always be handed over together with the unit.

Table of Contents

Questions, problems, missing parts?	3
Safety information	3
Intended use	5
Product description	6
Overview	6
Installation variants	7
Seasonal Flow Control (SFC)	8
Installation and connection	9
Connecting the control system	9
Submerged installation of the unit	12
Dry installation of the unit	14
Commissioning/start-up	17
Switching ON/OFF	17
Environmental Function Control (EFC)	17
Maintenance and cleaning	17
Dismantling the unit	18
Cleaning the unit	18
Replacing the impeller unit	19
Storage/overwintering	20
Troubleshooting	20
Technical data	21
Unit data	21
Permissible water values	23
Wear parts	23
Disposal	23

Questions, problems, missing parts?

Before returning the unit to your dealer, call us at 330-274-8317, Monday-Friday, 8:30 am to 5:00 pm, or email us at customerservice@atlantic-oase.com.

Safety information

Electrical connection

- Special regulations apply to electrical installation in outdoor areas. Only allow a qualified electrician to perform the electrical installation.
 - The qualified electrician has the required professional training, knowledge and skills to perform electrical installations in outdoor areas. The qualified electrician can detect potential risks and adheres to regional and national standards, regulations and directives.
 - For your own safety, please consult a qualified electrician.
- Only connect the unit if the electrical data of the unit and the power supply match.
- Extension cables and power distributors (e.g. outlet strips) must be suitable for outdoor use (splash-proof).
- Protect open plugs and sockets from moisture.

Safe operation

- This unit can be used by children aged 8 and above and by persons with reduced physical, sensory or mental capabilities or lack of experience and knowledge if they are supervised or have been instructed on how to use the unit in a safe way and they understand the hazards involved. Do not allow children to play with the unit. Only allow children to carry out cleaning and user maintenance under supervision.
- Do not use the unit, if electrical lines or the housing are damaged.
- Dispose of the unit if its power connection cable is damaged. The power connection cable cannot be replaced.
- The impeller unit in the pump contains a magnet with a strong magnetic field that may affect the operation of pacemakers or implantable cardioverter defibrillators (ICDs). Always keep a distance of at least 8 in (0.2 m) between the implant and the magnet.
- Never pull on electric cables. In particular, never carry units on their cables.
- Route lines so that they are protected from damage and nobody can trip over them.
- Never make technical modifications to the unit.
- Only carry out work on the unit that is described in this manual.
- Only use original spare parts and accessories.
- Should problems occur, please contact the authorized customer service or OASE.

⚠ WARNING

Serious injury or death due to dangerous electrical voltage is possible with an electrical device in water operated with a voltage $U > 12 \text{ V AC}$ or $U > 30 \text{ V DC}$.

- ▶ Disconnect all electrical devices in the water from the power supply before reaching into the water.
 - ▶ Disconnect the device from the power supply before starting work on the unit.
-

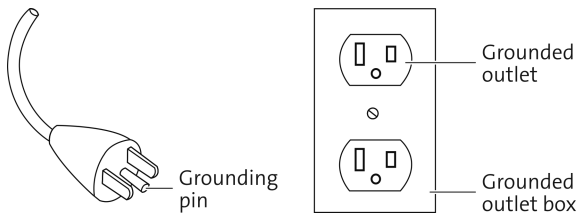
⚠ WARNING

In the event of improper connection of the unit grounding, there is a risk of electric shock.

The unit must be grounded in order for the electrical current to be dissipated via the grounding and to reduce the risk of electric shock in the event of a malfunction or failure.

Instructions for grounding:

- ▶ The unit is equipped with a mains cable with grounding conductor and a plug with grounding pin. The plug must be plugged into a suitable socket, which is installed and grounded according to local regulations and ordinances and is protected by a FI protection switch (GFCI).
 - ▶ Do not modify the plug. Have a suitable socket installed by an electrician if the plug does not fit into the socket.
 - ▶ Contact an electrician if you have any doubts as to whether the appliance is properly grounded.
-



Intended use

Only use the product described in this manual as follows:

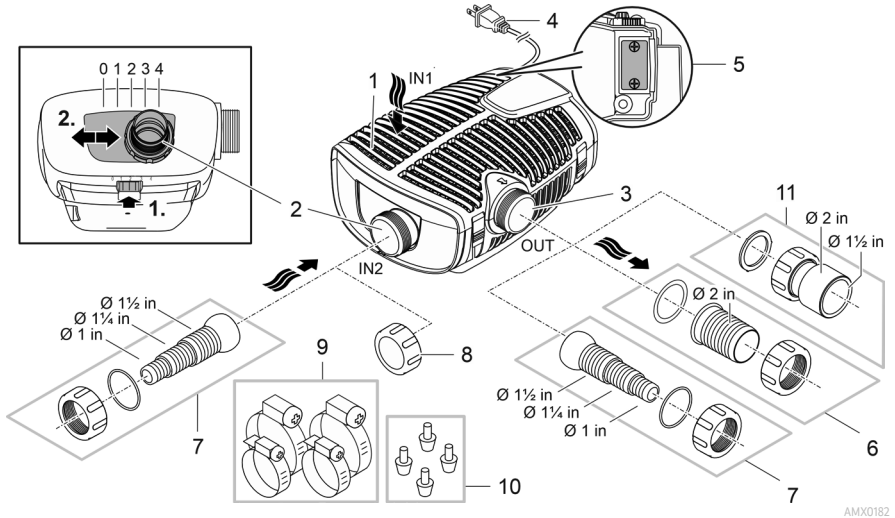
- For pumping normal pond water for filter systems, waterfall systems and water course systems.
- In compliance with the technical specifications. (→ Technical data)
- Only subject to adherence to the permissible water quality values. (→ Permissible water values)

The following restrictions apply to the unit:

- Do not use in swimming ponds.
- Never use the unit with fluids other than water.
- Never run the unit without water.
- Do not use in conjunction with chemicals, food, easily flammable or explosive substances.
- Do not connect to the domestic water supply.
- Do not use for industrial purposes.
- According to EMC (Electromagnetic Compatibility), this is a class A unit. The unit may cause malfunctions in living environments. It is the user's responsibility to take suitable countermeasures.

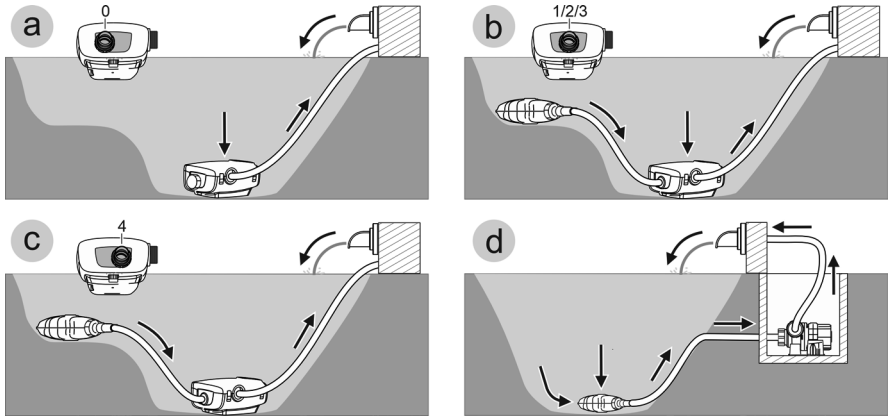
Product description

Overview



AMX0182

- | | |
|----|----------------------------------------------------------------------------------------------------------------------------------------------------------------------------------------------------------------------------------------------------------------------------------------------------------------------------------------------------------------------------------------------------------------------------------------------------------------------------------------------------------------------------------------------------------------------------------------------------------------------------------|
| 1 | Inlet 1 (suction side) |
| | <ul style="list-style-type: none"> • Filter housing |
| 2 | Inlet 2 (suction side) |
| | <ul style="list-style-type: none"> • Connection of a satellite filter or skimmer. • The flow rate on inlet 2 and with it the flow ratio of inlet 1 and 2 is adjustable. To do so, undo the locking mechanism and push the connection to one of the following positions: <ul style="list-style-type: none"> – Position 0: Inlet 2 is closed, water flow only via inlet 1. – Position 1/2/3: Inlet 2 is opened by approx. 25/50/75 %; this means water flow via inlet 1 and 2 based on the set flow ratio. – Position 4: Inlet 1 is closed, water flow only via inlet 2. |
| 3 | Outlet (pressure side) |
| | <ul style="list-style-type: none"> • Connection of the return flow to the pond (e.g. via a water course). |
| 4 | Power cable |
| 5 | Control system connection (optional) |
| | <ul style="list-style-type: none"> • The control system can be used to regulate the pump capacity. • Without the control system, the activated pump will always run at full capacity. |
| 6 | Hose sleeve for outlet (recommendation). |
| 7 | Stepped hose adapter for inlet 2 and outlet (alternative). |
| 8 | Cover cap for closing inlet 2 when it is not in use. |
| 9 | Hose clips for fastening hoses on the hose sleeves. |
| 10 | Rubber feet |
| | <ul style="list-style-type: none"> • Only for dry installation. |
| 11 | Pipe adapter for inlet 2 (alternative) |
| | <ul style="list-style-type: none"> • For connecting pipes with a diameter of 2 in (50 mm) or 1½ in (40 mm) |



AMX0200

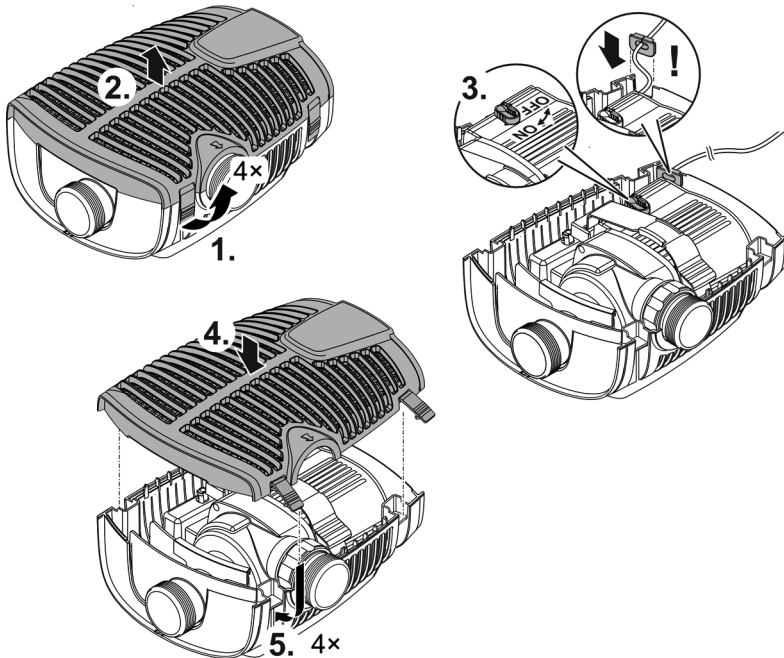
- Variant (a): Water flow only via the filter housing (inlet 1).
 - Set inlet 2 to position "0".
 - Close inlet 2 using the cover cap. (→ Overview)
- Variant (b): Water flow via the filter housing (inlet 1) and additionally via a satellite filter or a skimmer on inlet 2.
 - Set inlet 2 to position "1", "2" or "3", depending on the desired flow ratio (25/50/75 %).
- Variant (c): Water flow only via a satellite filter or a skimmer on inlet 2.
 - Set inlet 2 to position "4".
- Variant (d): Dry pump installation.
 - This variant requires the pump to be installed without a filter housing.
 - The pump is installed outside of the pond but lower than the water level.
 - If larger particles ($\varnothing > 0.4$ in) may be drawn in, we recommend installing a satellite filter or a skimmer on the intake side.

Seasonal Flow Control (SFC)

The SFC function intelligently controls the water volume or pump head based on the water temperature. This means the pump adapts to the individual pond ecology throughout the year and supports the pond biology through temperature-dependent circulation (winter mode, transition mode and summer mode).

- If the SFC function is active, the pump differentiates between ...
 - winter mode (water temperature lower than +50 °F)
 - transition mode (water temperature +50 ... +63 °F)
 - summer mode (water temperature greater than +63 °F)You can find the specific parameters at www.atlantic-oase.com.
- The SFC function may only be activated if the pump is submersed!
- If a skimmer or satellite filter is used, it may, depending on the system, be advisable to deactivate the SFC function.
- The SFC function is deactivated on delivery.

Switching on/switching off



AMX0183

Installation and connection

The pump can be installed submerged (in water) or dry (outside the water).

WARNING

Severe injuries or death from operation of the unit in a swimming pond. Faulty electric components will apply dangerous electric voltage to the water.


- ▶ Never operate the unit in a swimming pond.

CAUTION

Rotating components in the area of the intake connection and the pressure connection. Reaching into the connections can lead to injuries.

Please note in particular: If a unit has stopped due to overload, it can start up unexpectedly!

- ▶ Do not reach into the opening of the inlet connection or outlet connection while the power plug is connected.
- ▶ If the connections are freely accessible, e.g. if no hoses are connected, secure the connections with a finger guard. The finger guard is available as an accessory.

-  Avoid exposing any unit components to direct sunlight for extended periods of time, as this can lead to damage. If necessary, use a protective cover.

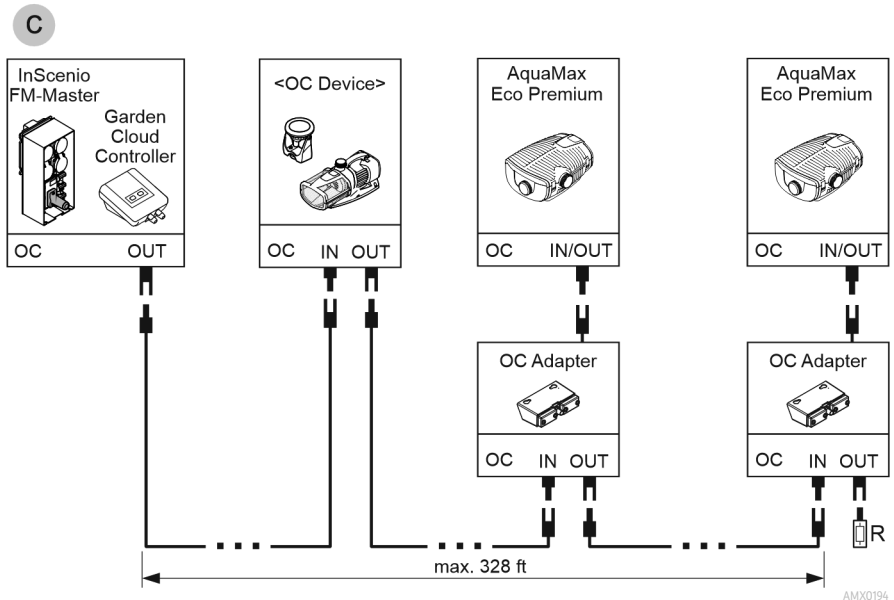
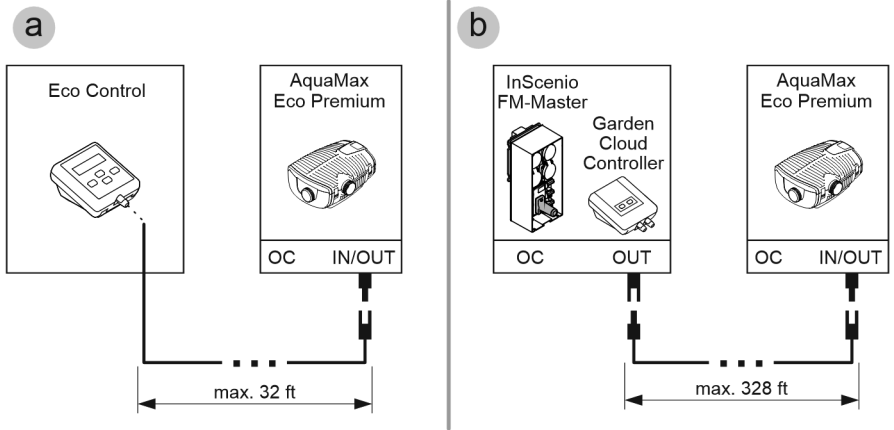
Connecting the control system

The pump can be operated with and without a control system.

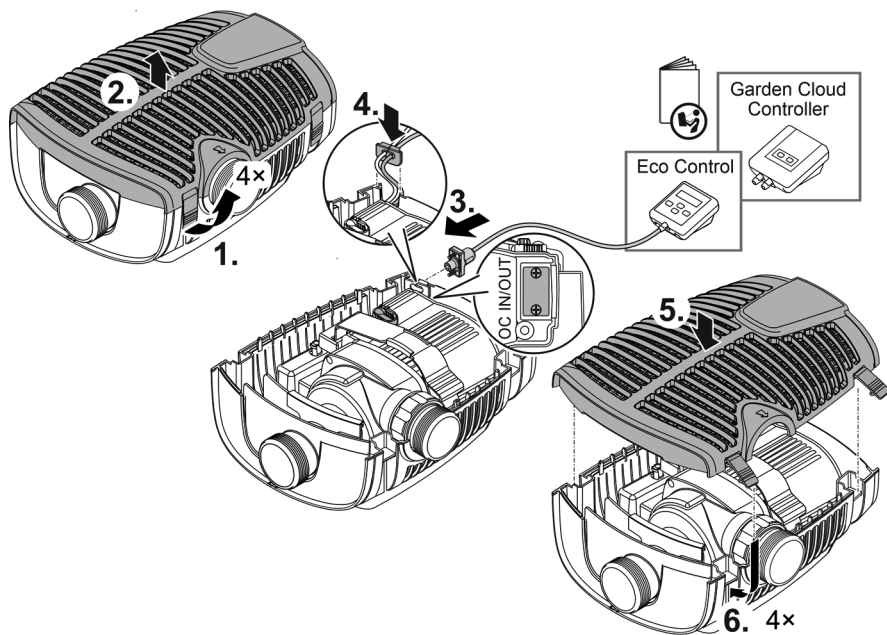
- The control system can be used to regulate the pump capacity.
- Without the control system, the activated pump will always run at full capacity.

Compatible control systems (accessories):

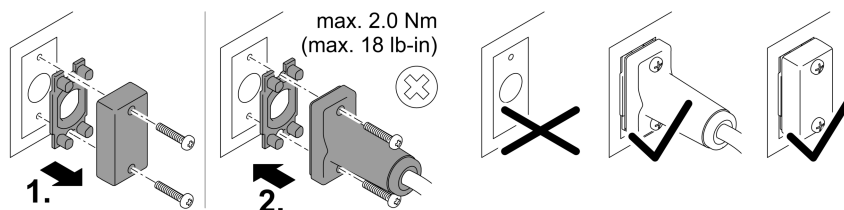
- Eco Control
Intelligent control system for a pump.
- Garden Cloud Controller
Up to 10 OASE Control-compatible devices (pumps, filters, lights) can be controlled via the "OASE Control" app.
For information on this topic, visit www.atlantic-oase.com (→ "OASE Control").



- An OASE Control network (variant C) must be terminated with terminal resistance R. This is included with the Garden Cloud Controller. In this case you need the accessory OASE Control adapter (item number 88443).
 - If only one AquaMax Eco Premium pump is connected to the Garden Cloud Controller (variant b), the terminal resistance and the OASE Control adapter are not required.
- i** Keep the terminal resistance in a safe place for potential later expansion of the OASE Control system.



AMX0193



NOTE

The unit will be destroyed if water penetrates the plug connector.

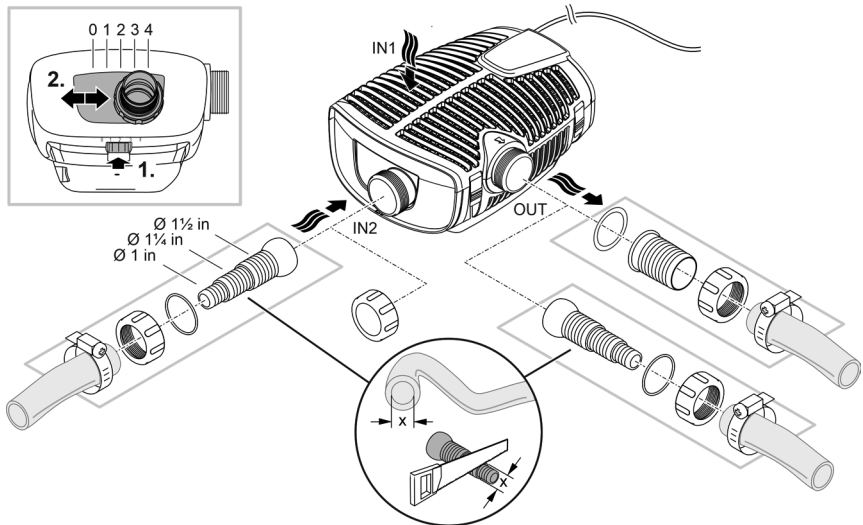
- ▶ Connect the plug connector or place the protective cap on it.
- ▶ Ensure that the rubber seal is clean and fits exactly.
- ▶ If the rubber seal is damaged, it must be replaced. When the plug connector is disconnected, the rubber seal must be replaced if it is older than 2 years.
- ▶ Always secure the plug connector or the protective cap with the two screws.

Submerged installation of the unit

Connection

Connect the pump as required by the desired installation variant. (→ Installation variants)

- Hoses or pipes can be connected at the inlet (IN) and at the outlet (OUT). A variety of connection adapters are provided. Additional adapters are available as accessories.
- The line on the intake side (IN) should not have a smaller diameter than the line on the pressure side (OUT).
- The greater the line diameter, the smaller the friction losses in the line and the better the flow rate.
- The line diameter must not be restricted unnecessarily by a hose sleeve. If necessary, shorten the hose sleeve based on the hose diameter.



AMX0184

Do not plug the power plug into the outlet yet!

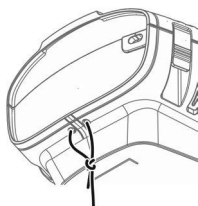
Installation

- Place the pump horizontally on a stable surface.
- Ensure secure and stable positioning of the pump.
- For muddy or soiled water, we recommend installing the pump or intake-side components (skimmer, satellite filter, base outlet, etc.) above ground level. This decreases intake of particles and increases the service life of the impeller unit.
- Operate the pump only when it is covered with at least 4 in (10 cm) of water. Otherwise, it may draw air.



AMX0202

- ① A pull rope allows you to simply pull the pump out of the water.
 - Pull the pull rope through the round openings on the bottom pan of the filter and make a knot.

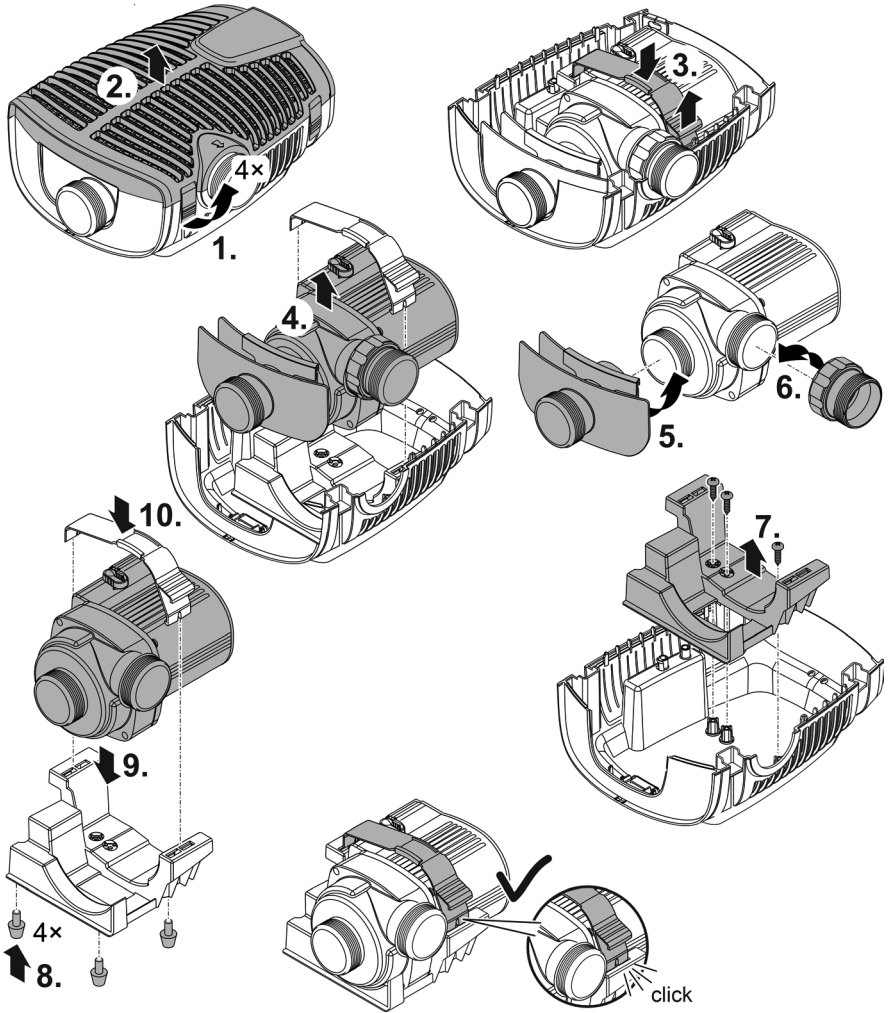


AMX0201

Dry installation of the unit

For dry installation, install the pump without a filter casing.

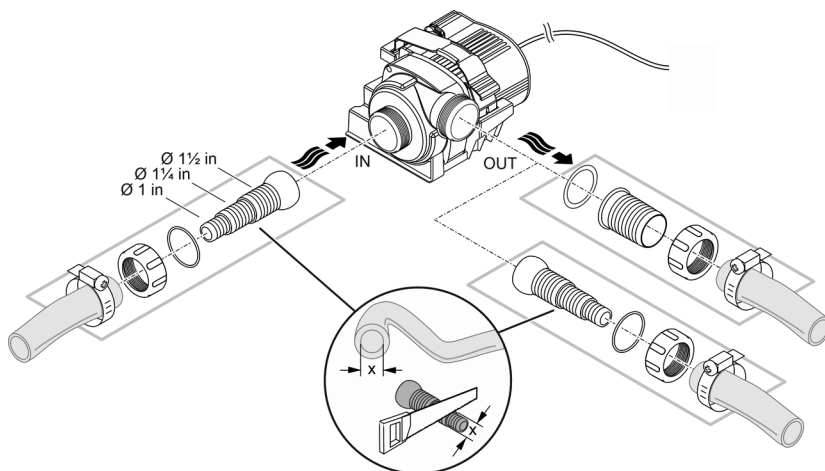
Conversion



AMX0185

Connection

- Hoses or pipes can be connected at the inlet (IN) and at the outlet (OUT). A variety of connection adapters are provided. Additional adapters are available as accessories.
- The line on the intake side (IN) should not have a smaller diameter than the line on the pressure side (OUT).
- The greater the line diameter, the smaller the friction losses in the line and the better the flow rate.
- The line diameter must not be restricted unnecessarily by a hose sleeve. If necessary, shorten the hose sleeve based on the hose diameter.
- The pump can handle particles with a size of up to 0.4 in (11 mm). Larger particles will clog the pump. We recommend installing a filter or skimmer on the intake side.

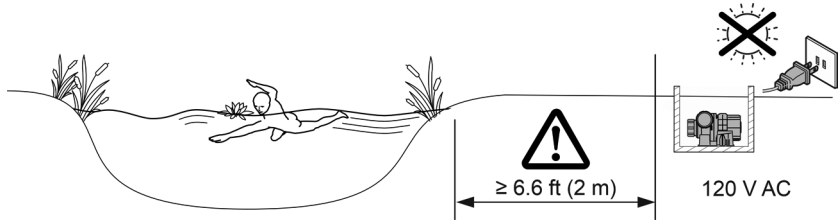


AMX0186

Do not plug the power plug into the outlet yet!

Installation

- Place the pump horizontally on a stable surface.
- Ensure secure and stable positioning of the pump.
- Do not expose the pump to direct sunlight.
- Ensure that the installation site is sufficiently ventilated to prevent overheating of the pump.



AMX0153

Commissioning/start-up

NOTE

The unit will be destroyed if it is operated with a dimmer. It contains sensitive electrical components.

► Do not connect the unit to a dimmable power supply.

NOTE

Never allow the pump to run dry. This will destroy the pump.

► Only operate the pump when it is submerged or flooded.

Switching ON/OFF

- **Switching on:** Plug the power plug into the outlet.
 - The unit is switched on after a brief starting phase.
- **Switching off:** Pull the power plug from the outlet.

Environmental Function Control (EFC)

When started up and then every 20 ... 40 minutes the pump automatically performs a pre-programmed self-test (**Environmental Function Control (EFC)**). The pump detects if it is running dry / clogged or submerged. The pump shuts down automatically after 60 to 120 seconds if it runs dry/is blocked. In the event of a malfunction, disconnect the power supply and “flood the pump” or remove the obstacle. Afterwards, the unit can be restarted.

Maintenance and cleaning

CAUTION

Risk of injury due to unforeseeable start-up. Internal monitoring functions can shut down the unit and reactivate it automatically.

► Disconnect the power plug before carrying out any work on the unit.

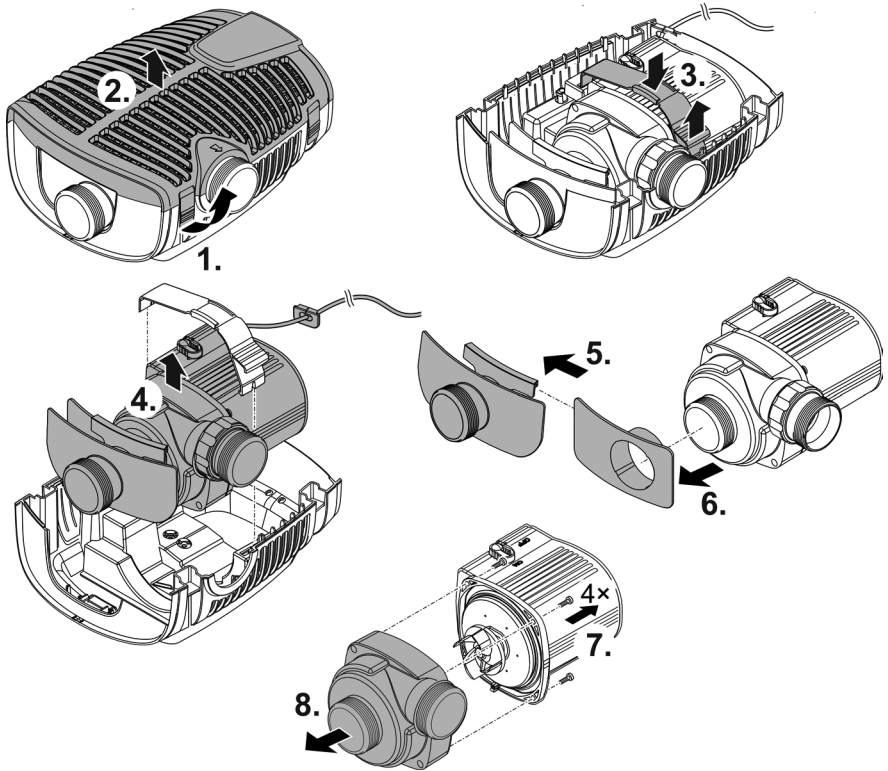
NOTE

Do not use aggressive cleaning agents or chemical solutions. These agents can damage the housing, impair the function of the device and harm animals, plants and the environment.

► Clean the unit with clean water and a soft brush or sponge wherever possible. Remove stubborn dirt with the aid of the recommended cleaning agents.

Dismantling the unit

- Pull the power plug and remove all connections.
- Dismantle the unit as shown in the figure.



AMX0187

- After cleaning or maintenance, reassemble the unit in reverse order.
- During reassembly, ensure that
 - the clamp fastening the pump in the holder is securely engaged.
 - the connection lines are guided out of the housing with the cable sleeve and that they are not kinked or crushed.

Cleaning the unit

- ① Clean the unit as required, but at least twice a year.
 - When cleaning the pump, pay particular attention to the impeller unit and the pump housing.
- Recommended cleaning agent for removing stubborn limescale deposits:
 - Vinegar- and chlorine-free household cleaning agent.
- After cleaning, thoroughly rinse all parts in clean water.

NOTE

The impeller unit contains strong magnets that attract magnetic particles (e.g. iron filings). Any remaining particles can cause irreparable damage to the impeller unit and motor block.

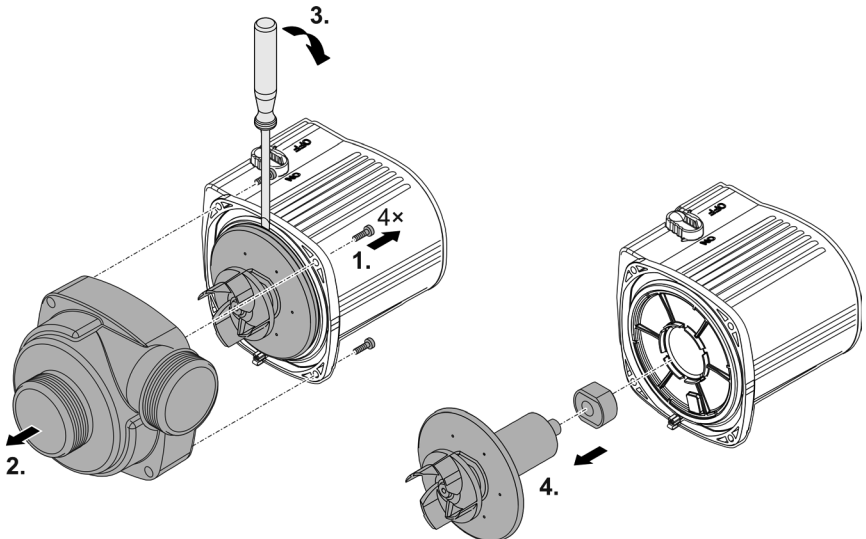
- Carefully remove all adhering particles from the impeller unit before installation.

NOTE

The impeller unit has a strong magnet that abruptly pulls the impeller unit into the motor block when the impeller unit is inserted. If the impeller unit jams during this process, this can cause irreparable damage to the impeller unit and the motor block.

- Hold the impeller unit tightly and carefully guide it into the motor block, while ensuring it remains straight.

- ❗ The impeller unit is guided through a bearing in the motor block. This bearing is a wear part and should be changed at the same time as the impeller unit. Changing the bearing requires specialist knowledge and tools. Have the bearing changed by the OASE specialist dealer or send the pump to OASE North America Inc.
- ❗ When the impeller is pulled out, the bearing in the motor block may come loose. During re-assembly, check that it is positioned correctly. If necessary, push the bearing into the motor block with the wide grooves first.
- Dismantle the motor block as shown in the figure.
- Use a brush under clear water to clean the components.
- Check all components for damage. Replace damaged or worn components.
- Reassemble the motor block in reverse order.



AMX0189

Storage/overwintering

The unit is frost-proof down to temperatures of -4 °F (-20 °C). If you wish to store the unit outside of the pond, clean it thoroughly with a soft brush and water, check it for damage, then store it submerged or filled with water. Do not immerse the power plug in water!

Troubleshooting

Malfunction	Cause	Remedy
Pump does not start	No mains voltage	Check the mains voltage.
	No control voltage (only with optional external controls)	Check connection to OASE Eco Control or OASE Control network; if necessary switch on pump via these networks
	Supply lines kinked	Route the supply lines without kinks
	Supply lines blocked.	Check/clean the supply lines
	Impeller unit is blocked	Remove blockage, check impeller unit for ease of movement
Pump does not transport fluid Insufficient delivered quantity	Filter housing clogged	Clean strainer casings
	Excessive loss in the supply lines	Reduce hose length to the necessary minimum, remove unnecessary connection parts, use larger hose diameters
	Impeller unit is running sluggishly	Check impeller unit for ease of movement
Pump switches off after operating briefly	Water heavily soiled	Clean pump
	Impeller unit is blocked	Remove blockage, check impeller unit for ease of movement
	Pump has run dry	Check/clean supply lines, increase immersion depth (min. 4 in under water surface)
	Water temperature too high	Adhere to the maximum permissible water temperature. (→ Technical data)

Technical data

Unit data

AquaMax Eco Premium			2500	3500
Connection voltage		V AC	120	120
Mains frequency		Hz	60	60
Power consumption		W	14 ... 60	16 ... 100
Max. pump capacity		gph	2500	3500
		l/h	9400	13200
Max. pump head		ft	14.7	16.4
		m	4.5	5.0
Protection type			IP68	IP68
Max. immersion depth		ft	13	13
		m	4	4
Inlet port	Thread	in	2	2
Outlet port			G2	G2
	Connection, hose (inner diameter)	in	1, 1¼, 1½, 2	1, 1¼, 1½, 2
		mm	25, 32, 38, 50	25, 32, 38, 50
Connection, pipe (outer diameter)		in	2	2
		mm	50	50
Connection, pipe (inner diameter)		in	1½	1½
		mm	40	40
Max. particle size, coarse dirt particles		in	0.43	0.43
		mm	11	11
Filter supply surface area		in ²	155	155
		cm ²	1000	1000
Water temperature (submerged installation)	During operation	(→ Permissible water values)		
	Out of operation	°F	-4 ... +95	-4 ... +95
		°C	-20 ... +35	-20 ... +35
Ambient temperature (dry installation)	Operating with natural con- vection	°F	+39 ... +95	+39 ... +95
		°C	+4 ... +30	+4 ... +30
	During operation and forced cooling	°F	+39 ... +104	+39 ... +104
		°C	+4 ... +40	+4 ... +40
Dimensions	Length	in	13.4	13.4
		mm	340	340
	Width	in	11.0	11.0
		mm	280	280
	Width	in	6.5	6.5
		mm	165	165
Connection cable length		ft	20	20
		m	6	6

AquaMax Eco Premium		2500	3500	
Weight	lbs	13.7	15.2	
	kg	6.2	6.9	
AquaMax Eco Premium		4500	5500	
Connection voltage	V AC	120	120	
Mains frequency	Hz	60	60	
Power consumption	W	18 ... 140	20 ... 160	
Max. pump capacity	gph	4500	5500	
	l/h	17000	21000	
Max. pump head	ft	18.0	18.0	
	m	5.5	5.5	
Protection type		IP68	IP68	
Max. immersion depth	ft	13	13	
	m	4	4	
Inlet port	Thread	in	2	
Outlet port		G2	G2	
	Connection, hose (inner diameter)	in	1, 1¼, 1½, 2	1, 1¼, 1½, 2
mm		25, 32, 38, 50	25, 32, 38, 50	
Connection, pipe (outer diameter)	in	2	2	
	mm	50	50	
Connection, pipe (inner diameter)	in	1½	1½	
	mm	40	40	
Max. particle size, coarse dirt particles	in	0.43	0.43	
	mm	11	11	
Filter supply surface area	in ²	155	155	
	cm ²	1000	1000	
Water temperature (submerged installation)	During operation	(- Permissible water values)		
	Out of operation	-4 ... +95	-4 ... +95	-4 ... +95
		-20 ... +35	-20 ... +35	-20 ... +35
Ambient temperature (dry installation)	Operating with natural convection	+39 ... +95	+39 ... +95	+39 ... +95
		+4 ... +30	+4 ... +30	+4 ... +30
	During operation and forced cooling	+39 ... +104	+39 ... +104	+39 ... +104
		+4 ... +40	+4 ... +40	+4 ... +40
Dimensions	Length	13,4	13.4	13.4
		340	340	340
	Width	11,0	11.0	11.0
		280	280	280
	Width	6,5	6.5	6.5
		165	165	165

AquaMax Eco Premium		4500	5500
Connection cable length	ft	20	20
	m	6	6
Weight	lbs	15.2	15.2
	kg	6.9	6.9

Permissible water values

		Fresh water	Pool water	Salt water
pH value		6.8 ... 8.5	7.2 ... 8.3	7.5 ... 8.5
Hardness	ppm	142 ... 267 CaCO ₃	142 ... 267 CaCO ₃	256 ... 534 CaCO ₃
	°dH	8 ... 15	8 ... 15	14 ... 30
Free chlorine	ppm	<0.3	<0.6	<0.3
	mg/l	<0.3	<0.6	<0.3
Chloride content	ppm	<250	<250	<22000
	mg/l	<250	<250	<22000
Salt content	%	<0.4	<0.4	<4
Overall dry residue	ppm	<50	<50	<50
	mg/l	<50	<50	<50
Temperature	°F	+39 ... +95	+39 ... +86	+39 ... +82
	°C	+4 ... +35	+4 ... +30	+4 ... +28

Wear parts

- Impeller unit
- Bearing in the motor block

Disposal

NOTE

Do not dispose of this unit with household waste.

- ▶ Contact your local waste disposal company for instructions on proper disposal of the unit.
- ▶ Render the unit unusable by cutting the cables.

Traduction de la notice d'emploi d'origine. La notice d'emploi fait partie de l'appareil et doit par conséquent lui être toujours jointe lorsqu'il est transféré.

Table des matières

Des questions, des problèmes, des pièces manquantes ?	25
Consignes de sécurité	25
Utilisation conforme à la finalité	27
Description du produit	28
Vue d'ensemble.....	28
Variantes d'installation.....	29
Seasonal Flow Control (SFC).....	30
Mise en place et raccordement.....	31
Brancher la commande.....	31
Mise en place en immergé de l'appareil.....	34
Mise en place de l'appareil au sec.....	36
Mise en service	39
Mise en circuit / mise hors circuit.....	39
Environmental Function Control (EFC).....	39
Nettoyage et entretien.....	39
Démonter l'appareil.....	40
Nettoyage de l'appareil.....	40
Remplacer l'unité de fonctionnement.....	41
Stockage / entreposage pour l'hiver	43
Dépannage	43
Caractéristiques techniques	44
Données d'appareils	44
Valeurs admissibles de l'eau.....	46
Pièces d'usure.....	46
Recyclage	46

Des questions, des problèmes, des pièces manquantes ?

Avant de retourner l'appareil à votre revendeur, appelez-nous au 330-274-8317, du lundi au vendredi, de 8h30 à 17h00, ou envoyez-nous un e-mail à customerservice@atlantic-oase.com.

FR

Consignes de sécurité

Raccordement électrique

- Des dispositions particulières s'appliquent aux installations électriques en extérieur. Seul un électricien qualifié peut réaliser l'installation électrique.
 - En raison de sa formation professionnelle, de ses connaissances et de son expérience, l'électricien qualifié possède les connaissances nécessaires et a le droit de réaliser des installations électriques en extérieur. Il est capable d'identifier d'éventuels dangers et respecte les normes, règlements et dispositions régionaux et nationaux en vigueur.
 - En cas de questions et de problèmes, prière de vous adresser à un électricien qualifié.
- Ne brancher l'appareil que lorsque les caractéristiques électriques de l'appareil et de l'alimentation correspondent.
- Les câbles de rallonge et le distributeur de courant (p. ex. blocs multiprises) doivent être conçus pour une utilisation en extérieur (protégé contre les projections d'eau).
- Protégez les fiches et les douilles ouvertes contre l'humidité.

Exploitation sécurisée

- Dans le cas où cet appareil serait utilisé par des mineurs de moins de 8 ans ainsi que par des personnes souffrant d'un handicap mental ou plus généralement par des personnes manquant d'expérience, un adulte averti devra être présent, qui renseignera le mineur ou la personne fragilisée concernée sur le bon emploi de ce matériel. Les enfants ne doivent pas jouer avec cet appareil. Ne pas laisser un enfant sans surveillance pour le nettoyage ou l'entretien.
- Ne pas utiliser l'appareil en cas d'endommagement des câbles électriques ou du boîtier.
- Jetez l'appareil si son câble de raccordement au secteur est endommagé. Le câble de raccordement au secteur ne peut pas être remplacé.
- L'unité de fonctionnement dans l'appareil contient un aimant à champ magnétique puissant qui risque d'avoir un impact sur les stimulateurs cardiaques ou les défibrillateurs implantés (ICD). Maintenir une distance d'au moins 8 pouces (0,20 m) entre l'implant et l'aimant.
- Ne tirez jamais sur les câbles électriques. En particulier, ne portez pas d'appareils par leur câble.
- Poser les câbles de manière à éviter tout risque d'endommagement et de trébuchement.
- Ne jamais procéder à des modifications techniques sur l'appareil.
- Exécuter des travaux sur l'appareil uniquement si ces derniers sont décrits dans la notice d'emploi.
- N'utiliser que des pièces de rechange et des accessoires d'origine.
- En cas de problèmes, adressez-vous au service après-vente autorisé ou contactez OASE.

⚠ AVERTISSEMENT

Dans l'eau, tout appareil électrique alimenté par une tension $U > 12$ VCA ou $U > 30$ VCC peut entraîner des blessures graves voire mortelles dues à une tension électrique dangereuse.

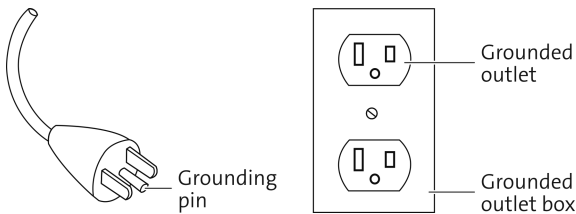
- ▶ Avant d'entrer dans l'eau, débranchez tous les appareils électriques.
 - ▶ Avant d'entamer tout travail sur l'appareil, débrancher ce dernier du réseau électrique.
-

⚠ AVERTISSEMENT

En cas de raccordement non conforme de l'appareil à la terre, il existe un risque d'électrocution. L'appareil doit être mis à la terre afin qu'en cas de dysfonctionnement ou de panne, le courant électrique soit évacué par la terre. Le risque d'électrocution est ainsi réduit.

Instructions concernant la mise à la terre :

- ▶ L'appareil est doté d'un câble réseau pourvu d'une prise de terre et d'un connecteur avec fiche de terre. Le connecteur doit être branché sur une prise électrique adaptée, installée et mise à la terre conformément aux prescriptions et réglementations locales, et protégée par un disjoncteur FI (GFCI).
 - ▶ Ne pas apporter de modification au connecteur. Si le connecteur ne convient pas à la prise, confier l'installation d'une prise adaptée à un électricien.
 - ▶ En cas de doutes concernant la mise à la terre correcte de l'appareil, s'adresser à un électricien.
-



Utilisation conforme à la finalité

Utilisez le produit décrit dans cette notice uniquement de la manière suivante :

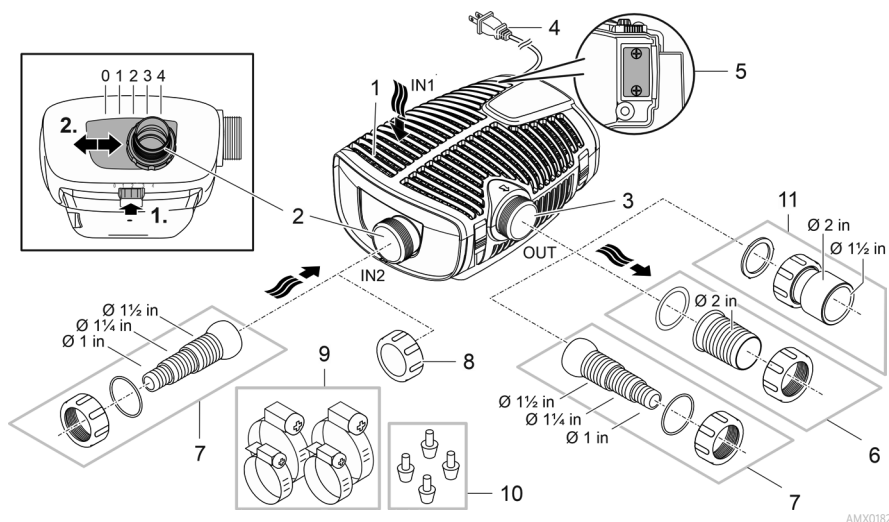
- Pour le pompage d'eau normale d'étang pour filtres, cascades et cours d'eau.
- Dans le respect des caractéristiques techniques. (→ Caractéristiques techniques)
- Dans le respect des valeurs d'eau admissibles. (→ Valeurs admissibles de l'eau)

Les restrictions suivantes sont valables pour l'appareil :

- Ne pas utiliser dans des piscines naturelles.
- Ne jamais utiliser dans d'autres liquides que de l'eau.
- Ne jamais utiliser sans débit d'eau.
- Ne pas utiliser en relation avec des produits chimiques, des produits alimentaires, des matériaux facilement inflammables ou explosifs.
- A ne pas raccorder à l'alimentation en eau potable.
- A ne pas utiliser à des fins industrielles.
- Selon la classification de la compatibilité électromagnétique, la pompe est un appareil de catégorie A. Dans les logements, l'appareil peut causer des interférences. L'utilisateur doit prendre des mesures appropriées.

Description du produit

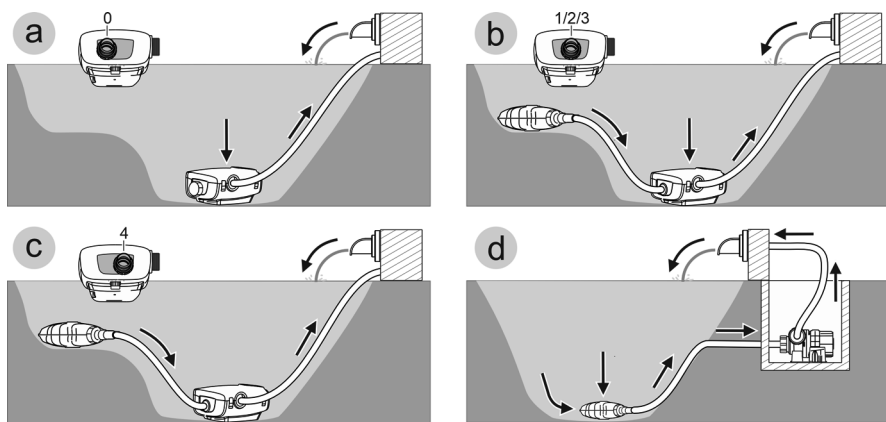
Vue d'ensemble



AMX0182

- | | |
|----|--------------------------------------------------------------------------------------------------------------------------------------------------------------------------------------------------------------------------------------------------------------------------------------------------------------------------------------------------------------------------------------------------------------------------------------------------------------------------------------------------------------------------------------------------------------------------------------------------------------------------------------------------------------------------------------------------------------------------------------------------|
| 1 | Entrée 1 (côté aspiration) <ul style="list-style-type: none">• Boîtier de filtre |
| 2 | Entrée 2 (côté aspiration) <ul style="list-style-type: none">• Raccordement pour filtre satellite ou skimmer.• Le débit à l'entrée 2, et donc le rapport de débit entre les entrées 1 et 2, est réglable. Pour cela, desserrez le verrouillage et faites glisser le raccordement sur l'une des positions suivantes :<ul style="list-style-type: none">– Position 0 : L'entrée 2 est fermée ; l'eau n'est pompée que par l'entrée 1.– Position 1/2/3 : L'entrée 2 est ouverte à environ 25/50/75 % ; cela signifie que le pompage est effectué par les entrées 1 et 2 conformément au rapport de débit réglé.– Position 4 : L'entrée 1 est fermée ; l'eau n'est pompée que par l'entrée 2. |
| 3 | Sortie (côté refoulement) <ul style="list-style-type: none">• Raccordement de la conduite de retour dans le bassin (par ex. via un cours d'eau). |
| 4 | Câble secteur |
| 5 | Raccordement de la commande (en option) <ul style="list-style-type: none">• La commande permet de réguler le régime de la pompe.• Sans commande, la pompe activée fonctionne en permanence à plein régime. |
| 6 | Embout à olive pour la sortie (recommandation). |
| 7 | Embout à étages pour l'arrivée 2 et la sortie (alternative). |
| 8 | Capuchon pour fermer l'entrée 2 lorsqu'elle n'est pas utilisée. |
| 9 | Collier de serrage pour la fixation des tuyaux sur les embouts à olive. |
| 10 | Pieds en caoutchouc <ul style="list-style-type: none">• Uniquement pour l'installation à sec. |
| 11 | Adaptateur pour l'arrivée 2 (autre possibilité) <ul style="list-style-type: none">• Pour le raccordement de tubes de 2 pouces (50 mm) ou d'1½ pouce (40 mm) de diamètre. |

Variantes d'installation



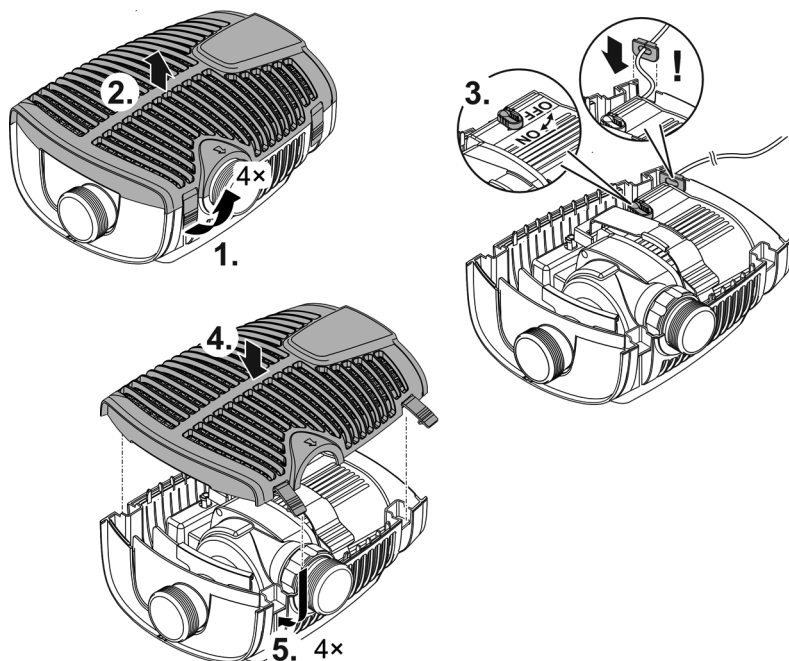
- Variante (a) : eau pompée uniquement par le boîtier de filtre (entrée 1).
 - Réglez l'entrée 2 sur la position « 0 ».
 - Fermez l'entrée 2 avec le capuchon. (→ Vue d'ensemble)
- Variante (b) : eau pompée par le boîtier de filtre (entrée 1) et en outre par un filtre satellite ou un skimmer au niveau de l'entrée 2.
 - Réglez l'entrée 2 sur la position « 1 », « 2 » ou « 3 » en fonction du rapport de débit souhaité (25/50/75 %).
- Variante (c) : eau pompée uniquement par un filtre satellite ou un skimmer au niveau de l'entrée 2.
 - Réglez l'entrée 2 sur la position « 4 ».
- Variante (d) : installer la pompe hors de l'eau.
 - Pour cette variante, la pompe doit être installée sans boîtier de filtre.
 - La pompe est placée à l'extérieur du bassin, mais en dessous du niveau de l'eau.
 - Si des particules plus grosses ($\varnothing > 0.4$ in) risquent d'être aspirées, nous recommandons d'installer un filtre satellite ou un skimmer côté aspiration.

Seasonal Flow Control (SFC)

La fonction SFC régule intelligemment le débit d'eau ou la hauteur de refoulement en fonction de la température de l'eau. Ainsi, le rendement de la pompe s'adapte toute l'année à l'écologie du bassin concerné et soutient la biologie du bassin grâce à la circulation de l'eau en fonction de la température (mode hiver, mode intersaison et mode été).

- Lorsque la fonction SFC est active, la pompe fait la distinction entre ...
 - Mode hiver (température de l'eau inférieure à +50 °F)
 - Mode intersaison (température de l'eau +50 ... +63 °F)
 - Mode été (température de l'eau supérieure à +63 °F)Vous trouverez les courbes caractéristiques respectives sur www.atlantic-oase.com.
- La fonction SFC ne doit être activée que lorsque l'appareil est immergé !
- En cas d'utilisation d'un skimmer ou d'un filtre satellite, il peut être recommandé de désactiver la fonction SFC en fonction de l'installation.
- La fonction SFC est désactivée à la livraison.

Mise sous tension / hors tension



AMX0183

Mise en place et raccordement

La pompe peut être installée en immersion (dans l'eau) ou au sec (hors de l'eau).

AVERTISSEMENT

Blessures graves voire mortelles en cas d'utilisation de l'appareil dans un étang de baignade. Les pièces défectueuses d'un appareil électrique soumettent l'eau à une tension électrique dangereuse.


- ▶ Ne pas utiliser l'appareil dans une piscine naturelle.

PRUDENCE

Composants rotatifs au niveau de la tubulure d'aspiration et de la tubulure de refoulement. Des blessures sont possibles si vous introduisez vos mains dans les tubulures.

Notez en particulier : Un appareil arrêté en raison d'une surcharge peut redémarrer de manière inattendue !

- ▶ N'introduisez pas vos doigts dans l'ouverture de la tubulure d'aspiration ou de refoulement lorsque la fiche de secteur est branchée.
- ▶ Si les tubulures sont librement accessibles pendant le fonctionnement, par exemple si aucun tuyau n'est raccordé, sécurisez les tubulures avec une protection contre le contact. La protection contre le contact est disponible dans les accessoires.

-  Tous les composants de l'appareil ne doivent pas être exposés de manière prolongée à la lumière directe du soleil, car cela pourrait les endommager. Utilisez éventuellement une ouverture de protection.

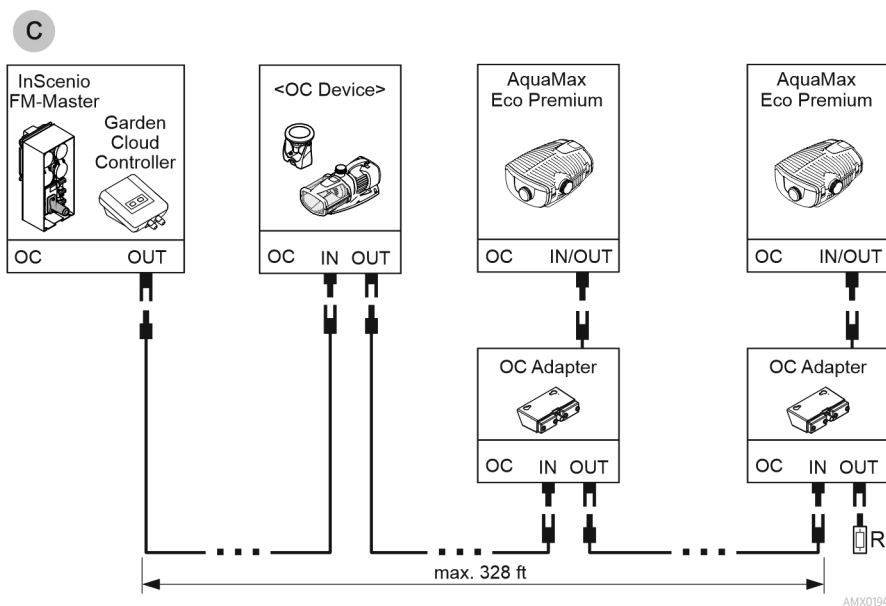
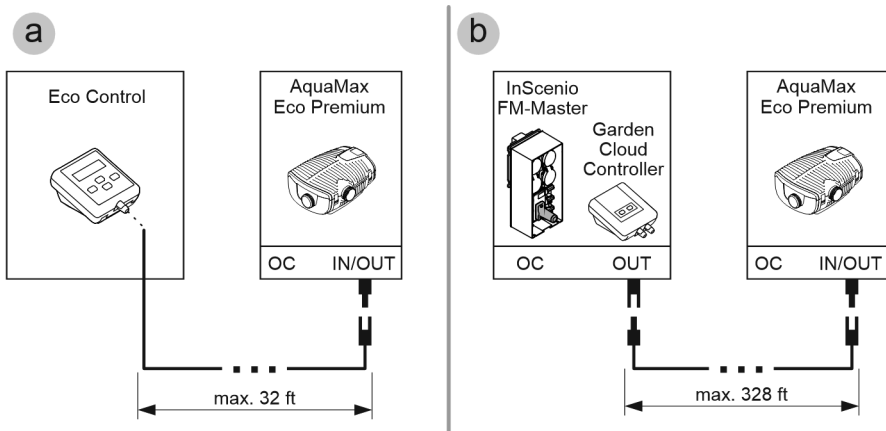
Brancher la commande

La pompe peut être utilisée avec ou sans commande.

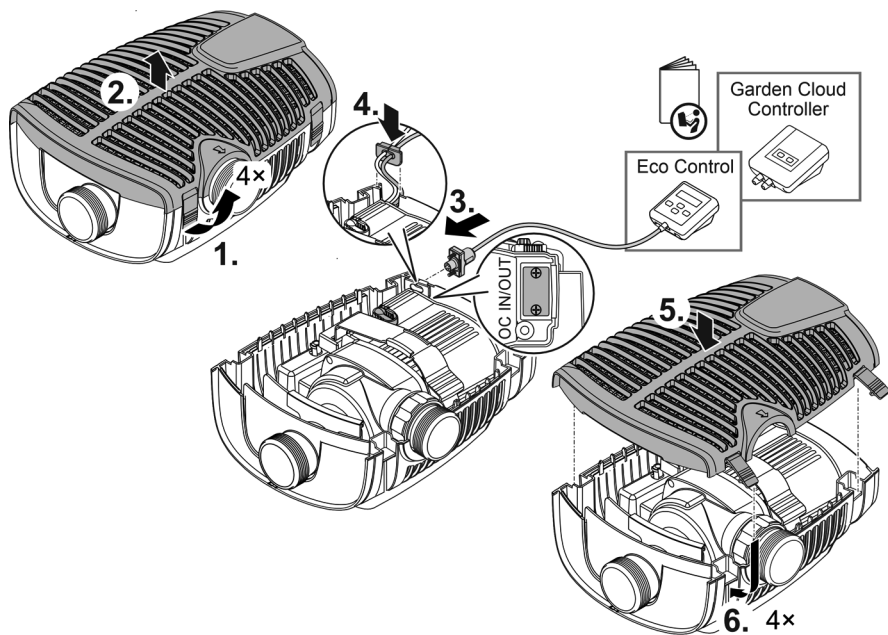
- La commande permet de réguler le régime de la pompe.
- Sans commande, la pompe activée fonctionne en permanence à plein régime.

Commandes compatibles (accessoires) :

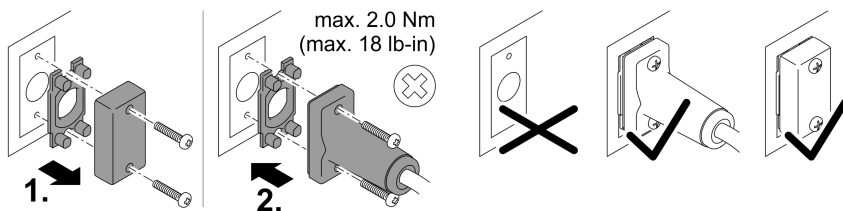
- Eco Control
Commande intelligente pour une pompe.
- Garden Cloud Controller
Jusqu'à 10 appareils compatibles OASE Control (pompes, filtres, luminaires) peuvent être contrôlés via l'application "OASE Control".
Vous trouverez des informations à ce sujet sur www.atlantic-oase.com (→ « OASE Control »).



- Un réseau OASE Control (variante c) doit se terminer par la résistance finale R. Celle-ci est fournie avec le Garden Cloud Controller. Dans ce cas, vous aurez besoin de l'accessoire Adaptateur OASE Control (référence 88443).
 - Si une seule pompe AquaMax Eco Premium est raccordée au Garden Cloud Controller (variante b), la résistance terminale et donc l'adaptateur OASE Control ne sont pas nécessaires.
- i** Conservez la résistance terminale en lieu sûr pour une éventuelle extension ultérieure du système OASE Control.



AMX0193



REMARQUE

Une infiltration d'eau dans la fiche de raccordement entraîne un endommagement de l'appareil.

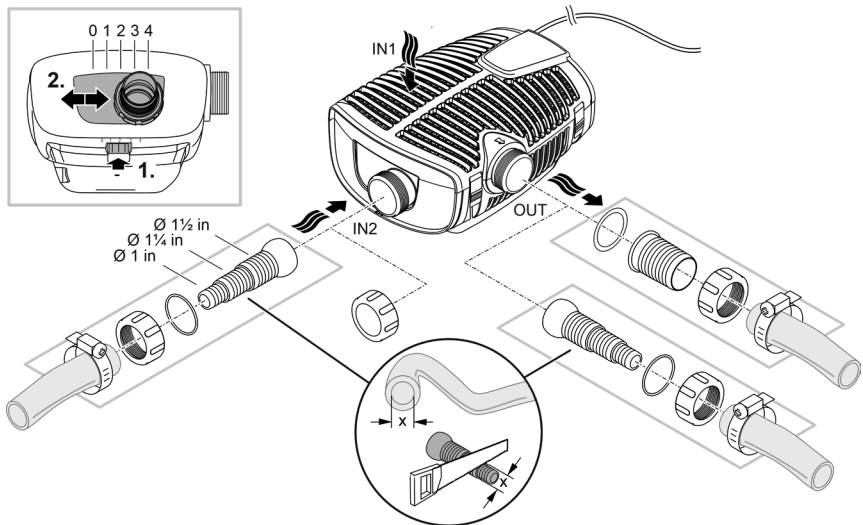
- ▶ Affectez le connecteur ou mettez le capuchon de protection.
- ▶ Le joint en caoutchouc doit être propre et parfaitement en place.
- ▶ Il faut remplacer un joint en caoutchouc endommagé. Si le connecteur est détaché, un joint en caoutchouc ancien (> 2 ans) doit être remplacé.
- ▶ Fixez toujours le connecteur ou le capuchon de protection à l'aide des deux vis.

Mise en place en immergé de l'appareil

Raccordement

Raccordez la pompe en fonction de la variante d'installation souhaitée. (→ Variantes d'installation)

- Des tuyaux ou des tubes peuvent être raccordés à l'entrée (IN) et à la sortie (OUT). Différents adaptateurs de raccordement sont fournis. D'autres adaptateurs sont disponibles en option.
- Le diamètre de la conduite côté aspiration (IN) ne doit pas être inférieur à celui de la conduite côté refoulement (OUT).
- Plus le diamètre de la conduite est grand, plus les pertes par frottement dans les conduites sont faibles et meilleur est le débit.
- Le diamètre de la conduite ne doit pas être inutilement limité par un embout à olive. Si nécessaire, raccourcissez l'embout à olive en fonction du diamètre du tuyau.



AMX0184

Ne branchez pas encore la fiche de secteur dans la prise de courant !

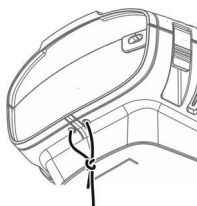
Mise en place

- Installer la pompe à l'horizontale sur un support fixe.
- Veillez à la bonne stabilité de la pompe.
- Nous recommandons de surélever la pompe ou les composants raccordés à l'aspiration (skimmer, filtre satellite, siphon de sol, etc.) en cas d'eau boueuse ou polluée. Cela permet de réduire l'aspiration de particules, ce qui augmente la durée de vie du bloc rotor.
- Ne faites fonctionner la pompe que si elle est recouverte d'au moins 4 pouces (10 cm) d'eau. Dans le cas contraire, elle risque d'aspirer de l'air.



AMX0202

- ⓘ Le câble de retrait permet de sortir facilement la pompe de l'eau.
- Faites passer le câble de retrait par les ouvertures rondes de la coque inférieure du filtre et le fixer.

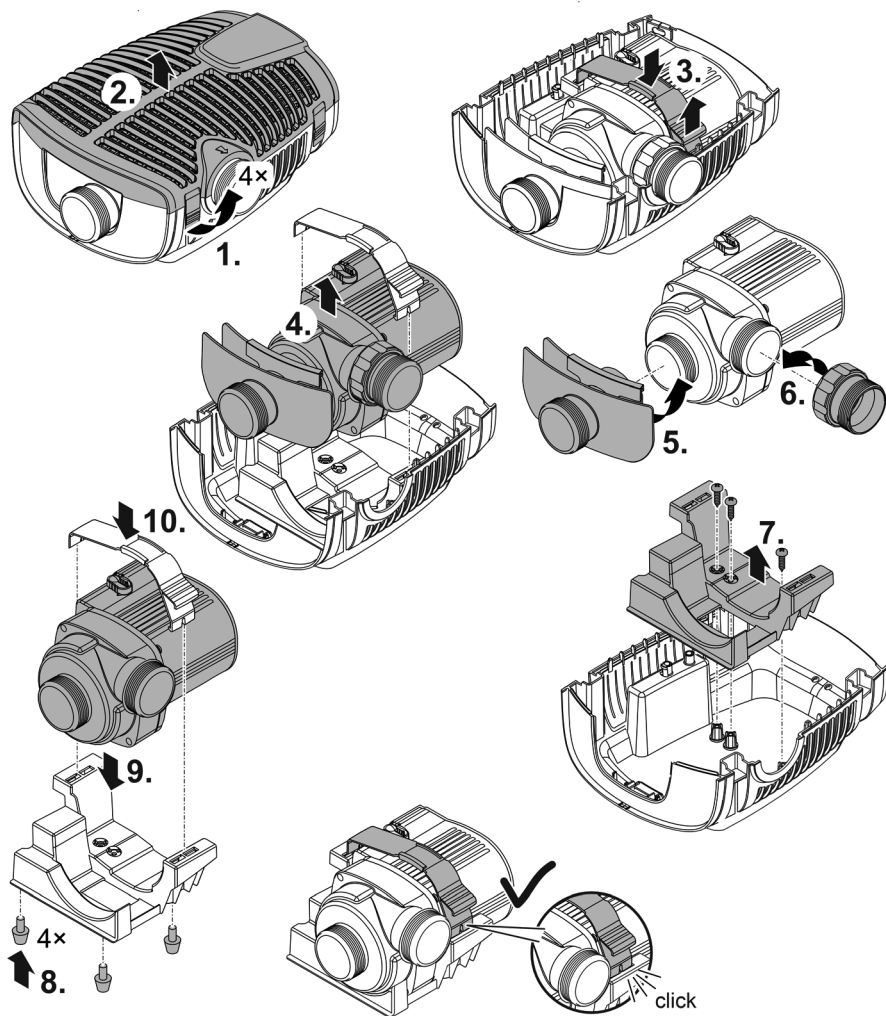


AMX0201

Mise en place de l'appareil au sec

Pour une installation à sec, la pompe doit être installée sans boîtier de filtre.

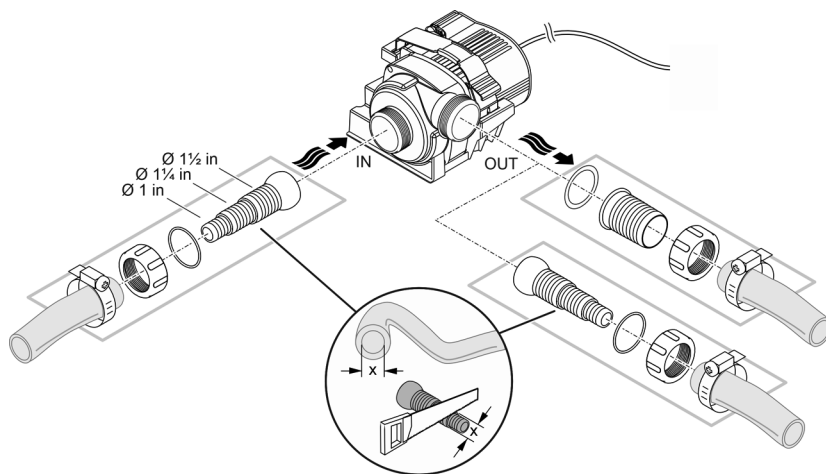
Conversion



AMX0185

Raccordement

- Des tuyaux ou des tubes peuvent être raccordés à l'entrée (IN) et à la sortie (OUT). Différents adaptateurs de raccordement sont fournis. D'autres adaptateurs sont disponibles en option.
- Le diamètre de la conduite côté aspiration (IN) ne doit pas être inférieur à celui de la conduite côté refoulement (OUT).
- Plus le diamètre de la conduite est grand, plus les pertes par frottement dans les conduites sont faibles et meilleur est le débit.
- Le diamètre de la conduite ne doit pas être inutilement limité par un embout à olive. Si nécessaire, raccourcissez l'embout à olive en fonction du diamètre du tuyau.
- La pompe est en mesure de faire passer des particules jusqu'à 0,4 in (11 mm). Si les particules sont plus grosses, la pompe se bloque. Nous recommandons d'installer un filtre ou un skimmer côté aspiration.

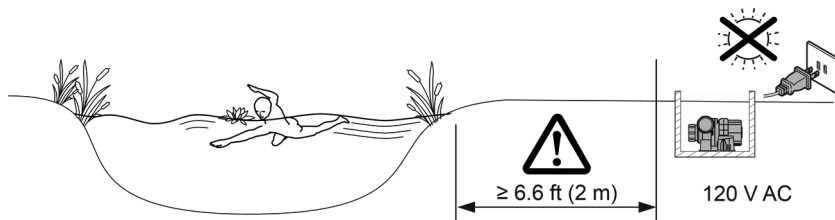


AMX0186

Ne branchez pas encore la fiche de secteur dans la prise de courant !

Mise en place

- Installer la pompe à l'horizontale sur un support fixe.
- Veillez à la bonne stabilité de la pompe.
- La pompe ne doit pas être exposée à la lumière directe du soleil.
- Le lieu d'installation doit être suffisamment aéré pour que la pompe ne surchauffe pas.



AMX0153

Mise en service

REMARQUE

L'appareil est détérioré lorsqu'il est utilisé avec un variateur. Il contient des composants électriques fragiles.

- ▶ Ne pas raccorder l'appareil à une alimentation en courant avec variateur.

REMARQUE

La pompe ne doit pas fonctionner en marche à sec. Dans le cas contraire, la pompe pourrait être détériorée.

- ▶ Ne faites fonctionner la pompe que lorsqu'elle est immergée.

Mise en circuit / mise hors circuit

- **Mise en circuit :** Branchez la fiche de secteur dans la prise de courant.
 - L'appareil est allumé après une courte phase de démarrage.
- **Mettre hors circuit :** retirer la fiche secteur de la prise de courant.

Environmental Function Control (EFC)

La pompe exécute un test automatique au démarrage, puis tous les 20 ... 40 minutes, la pompe effectue automatiquement un autotest préprogrammé (**Environmental Function Control (EFC)**). La pompe reconnaît si elle se trouve en marche à sec / à l'état bloqué ou immergé. En cas de marche à sec / de blocage, la pompe se met automatiquement hors circuit après 60 à 120 secondes. Lors d'un dérangement, interrompez l'alimentation électrique, « immergez la pompe dans l'eau » ou bien retirez l'obstacle. Vous pouvez ensuite remettre l'appareil en service.

Nettoyage et entretien

⚠ PRUDENCE

Risque de blessure découlant d'un démarrage imprévu. Les fonctions de surveillance internes de l'appareil peuvent l'éteindre puis le rallumer automatiquement.

- ▶ Débrancher la prise de secteur avant d'exécuter des travaux sur l'appareil.

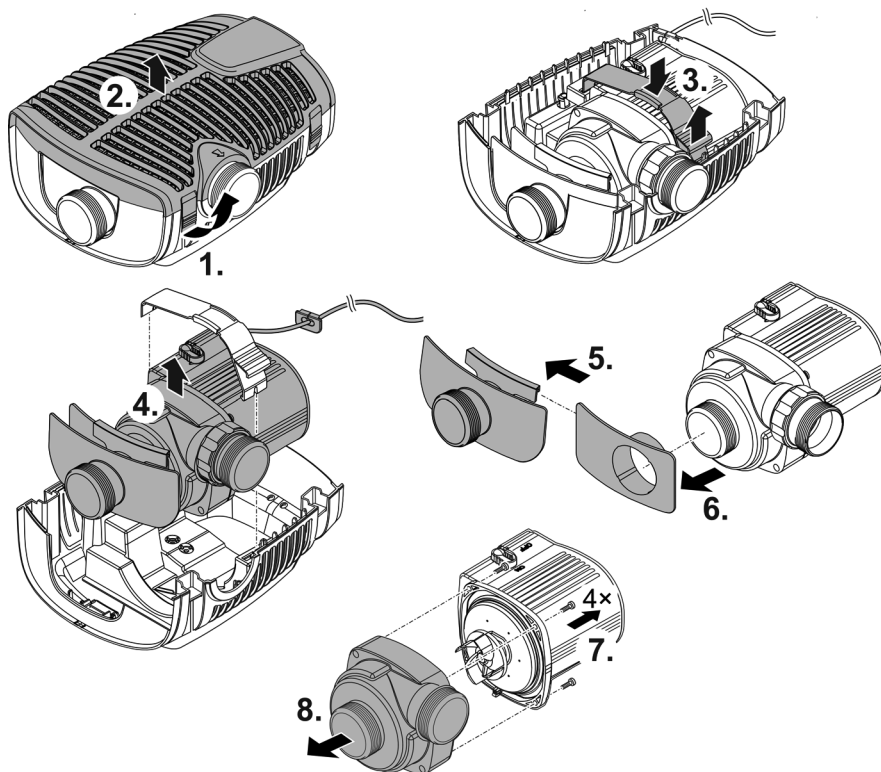
REMARQUE

N'utiliser ni produits de nettoyage agressifs ni solutions chimiques. En effet, ces produits peuvent endommager le boîtier, altérer le fonctionnement de l'appareil et nuire aux animaux, aux plantes et à l'environnement.

- ▶ Nettoyez l'appareil si possible avec de l'eau claire et une brosse douce ou une éponge ; pour éliminer des encrassements tenaces, employez les produits de nettoyage recommandés.

Démonter l'appareil

- Débranchez la fiche de secteur et déconnectez tous les raccordements.
- Démontez l'appareil comme indiqué sur l'illustration.



AMX0187

- Après le nettoyage ou l'entretien, remontez l'appareil dans l'ordre inverse.
- Lors de l'assemblage, assurez-vous que ...
 - la pince qui fixe la pompe dans le support est bien enclenchée.
 - les câbles de raccordement sortent du boîtier avec le passe-câble et qu'ils ne soient pas pliés ou coincés.

Nettoyage de l'appareil

- ① Nettoyez l'appareil selon les besoins et au moins 2 fois par an.
 - Nettoyer en particulier l'unité de fonctionnement et le corps de pompe.
- Produits de nettoyage recommandés en cas d'entartrages tenaces :
 - Détergents ménagers exempts de vinaigre et de chlore.
- Après le nettoyage, rincer méticuleusement toutes les pièces à l'eau claire.

Remplacer l'unité de fonctionnement

REMARQUE

L'unité de fonctionnement contient un puissant aimant qui attire les particules magnétiques (p. ex. les copeaux de fer). Les particules qui restent risquent d'être à l'origine de dommages irréparables sur l'unité de fonctionnement et le bloc moteur.

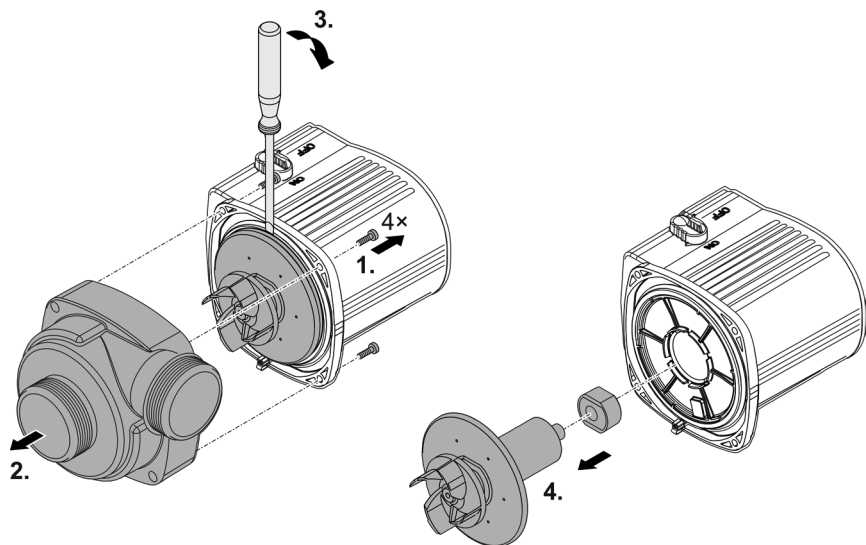
- ▶ Avant le montage de l'unité de fonctionnement, éliminer soigneusement toutes traces de particules adhérentes.

REMARQUE

Le bloc rotor est doté d'un aimant puissant qui, lorsque le bloc rotor est inséré dans le bloc moteur, attire brusquement le bloc rotor dans le bloc moteur. Si le bloc rotor se coince lors de cette opération, cela peut provoquer des dommages irréparables sur le bloc rotor et le bloc moteur.

- ▶ Tenez fermement le bloc rotor et introduisez-le avec précaution en ligne droite dans le bloc moteur.

- ❗ L'unité de fonctionnement est guidé dans le bloc moteur par un palier. Ce palier est une pièce d'usure et doit être remplacé en même temps que l'unité de fonctionnement. Le remplacement du palier demande des connaissances et des outils spéciaux. Confier le remplacement du palier au distributeur spécialisé OASE ou envoyer la pompe à OASE North America Inc.
- ❗ Lors du retrait du bloc rotor, le palier peut se détacher dans le bloc moteur. Lors du montage, vérifiez qu'il est bien en place. Le cas échéant, enfoncez le palier dans le bloc moteur, les rainures larges en premier.
 - Démontez le bloc moteur comme indiqué sur l'illustration.
 - Nettoyer les composants à l'eau propre avec une brosse.
 - Vérifiez l'absence d'endommagement de toutes les pièces. Remplacez les pièces endommagées ou usées.
 - Remontez le bloc moteur dans l'ordre inverse.



AMX0189

Stockage / entreposage pour l'hiver

L'appareil résiste au gel jusqu'à -4 °F (-20 °C). Si vous stockez l'appareil en dehors du bassin, procédez à un nettoyage complet avec une brosse douce et de l'eau, vérifiez qu'il n'est pas endommagé et conservez-le immergé ou rempli d'eau. Ne pas immerger la fiche de secteur dans l'eau !

Dépannage

Dérangement	Cause	Solution
La pompe ne démarre pas	Absence de tension secteur	Vérifier la tension secteur
	Tension de commande absente (uniquement pour la commande externe en option)	Vérifiez la connexion à OASE Eco Control ou au réseau OASE Control; mettez la pompe en marche par ce biais si nécessaire.
	Conduites d'alimentations pliées	Poser les conduites d'alimentation sans les plier
	Conduites d'alimentation bouchées	Contrôler/nettoyer les conduites d'alimentation
	Le bloc rotor est bloqué	Éliminer le blocage, vérifier la liberté de mouvement du bloc rotor
La pompe ne refoule pas Débit de pompe insuffisant	Corps de filtre colmaté	Nettoyer les enveloppes filtrantes
	Pertes excessives dans les conduites d'amenée	Raccourcir les tuyaux au minimum nécessaire, enlever les raccords inutiles, utiliser des tuyaux de plus grand diamètre.
	Bloc rotor grippé	Contrôler la liberté de mouvement du bloc rotor
La pompe s'arrête après une courte période de marche	L'eau est très sale	Nettoyer la pompe
	Le bloc rotor est bloqué	Éliminer le blocage, vérifier la liberté de mouvement du bloc rotor
	La pompe a marché à sec	Contrôler/nettoyer les conduites d'alimentation, augmenter la profondeur d'immersion (au moins 4 in sous la surface de l'eau)
	Température d'eau excessive	Respecter la température d'eau maximale autorisée. (→ Caractéristiques techniques)

Caractéristiques techniques

Données d'appareils

AquaMax Eco Premium			2500	3500
Tension de raccordement		V AC	120	120
Fréquence du réseau		Hz	60	60
Puissance absorbée		W	14 ... 60	16 ... 100
Capacité de refoulement max		gph	2500	3500
		l/h	9400	13200
Hauteur de refoulement max.		ft	14,7	16,4
		m	4,5	5,0
Indice de protection			IP68	IP68
Profondeur d'immersion max		ft	13	13
		m	4	4
Côté aspiration	Filetage	in	2	2
Côté refoulement			G2	G2
	Raccordement du tuyau (Diamètre intérieur)	in	1, 1¼, 1½, 2	1, 1¼, 1½, 2
		mm	25, 32, 38, 50	25, 32, 38, 50
	Raccordement du tube (Diamètre extérieur)	in	2	2
		mm	50	50
	Raccordement du tube (Dia- mètre intérieur)	in	1½	1½
		mm	40	40
	Diamètre des grains maximal des impuretés gros- sières	in	0,43	0,43
mm		11	11	
Surface d'entrée du filtre	in ²	155	155	
	cm ²	1000	1000	
Température de l'eau (installation immergée)	En service	(- Valeurs admissibles de l'eau)		
	Hors service	°F	-4 ... +95	-4 ... +95
		°C	-20 ... +35	-20 ... +35
Température ambiante (installation à sec)	En service avec convection naturelle	°F	+39 ... +95	+39 ... +95
		°C	+4 ... +30	+4 ... +30
	En service et refroidisse- ment forcé	°F	+39 ... +104	+39 ... +104
		°C	+4 ... +40	+4 ... +40
Dimensions	Longueur	in	13,4	13,4
		mm	340	340
	Largeur	in	11,0	11,0
		mm	280	280
	Hauteur	in	6,5	6,5
		mm	165	165
Longueur du câble de connexion		ft	20	20
		m	6	6

AquaMax Eco Premium		2500	3500	
Poids	lbs	13,7	15,2	
	kg	6,2	6,9	
AquaMax Eco Premium		4500	5500	
Tension de raccordement	V AC	120	120	
Fréquence du réseau	Hz	60	60	
Puissance absorbée	W	18 ... 140	20 ... 160	
Capacité de refoulement max	gph	4500	5500	
	l/h	17000	21000	
Hauteur de refoulement max.	ft	18,0	18,0	
	m	5,5	5,5	
Indice de protection		IP68	IP68	
Profondeur d'immersion max	ft	13	13	
	m	4	4	
Côté aspiration	Filetage	in	2	
Côté refoulement		G2	G2	
	Raccordement du tuyau (Diamètre intérieur)	in	1, 1¼, 1½, 2	1, 1¼, 1½, 2
		mm	25, 32, 38, 50	25, 32, 38, 50
Raccordement du tube (Diamètre extérieur)	in	2	2	
	mm	50	50	
Raccordement du tube (Dia- mètre intérieur)	in	1½	1½	
	mm	40	40	
Diamètre des grains maximal des impuretés grossières	in	0,43	0,43	
	mm	11	11	
Surface d'entrée du filtre	in ²	155	155	
	cm ²	1000	1000	
Température de l'eau (installation immergée)	En service	(-- Valeurs admissibles de l'eau)		
	Hors service	-4 ... +95	-4 ... +95	-4 ... +95
		-20 ... +35	-20 ... +35	-20 ... +35
Température ambiante (installation à sec)	En service avec convection naturelle	+39 ... +95	+39 ... +95	+39 ... +95
		+4 ... +30	+4 ... +30	+4 ... +30
	En service et refroidissement forcé	+39 ... +104	+39 ... +104	+39 ... +104
		+4 ... +40	+4 ... +40	+4 ... +40
Dimensions	Longueur	13,4	13,4	13,4
		340	340	340
	Largeur	11,0	11,0	11,0
		280	280	280
	Hauteur	6,5	6,5	6,5
		165	165	165

AquaMax Eco Premium		4500	5500
Longueur du câble de connexion	ft	20	20
	m	6	6
Poids	lbs	15,2	15,2
	kg	6,9	6,9

Valeurs admissibles de l'eau

		Eau douce	Eau de piscine	Eau de mer
pH		6,8 ... 8,5	7,2 ... 8,3	7,5 ... 8,5
Dureté	ppm	142 ... 267 CaCO ₃	142 ... 267 CaCO ₃	256 ... 534 CaCO ₃
	°dH	8 ... 15	8 ... 15	14 ... 30
Chlore libre	ppm	<0,3	<0,6	<0,3
	mg/l	<0,3	<0,6	<0,3
Teneur en chlore	ppm	<250	<250	<22000
	mg/l	<250	<250	<22000
Teneur en sel	%	<0,4	<0,4	<4
Résidu sec total	ppm	<50	<50	<50
	mg/l	<50	<50	<50
Température	°F	+39 à +95	+39 à +86	+39 à +82
	°C	+4 à +35	+4 à +30	+4 à +28

Pièces d'usure

- Unité de fonctionnement
- Palier dans le bloc moteur

Recyclage

REMARQUE

Il est interdit d'éliminer cet appareil avec les déchets ménagers.

- ▶ Contactez votre entreprise locale de traitement des déchets. Elle vous fournira les informations relatives à l'élimination réglementaire de l'appareil.
- ▶ Mettez l'appareil hors d'usage en sectionnant les câbles.

Instrucciones originales. Las instrucciones pertenecen al equipo y siempre se tienen que entregar junto con el equipo a la otra persona.

Índice

ES

¿Preguntas, problemas, piezas que faltan?	48
Indicaciones de seguridad	48
Uso conforme a lo prescrito	50
Descripción del producto.....	51
Vista sumaria.....	51
Variantes de instalación	52
Seasonal Flow Control (SFC).....	53
Emplazamiento y conexión	54
Conexión del control.....	54
Emplazamiento del equipo sumergido	57
Emplazamiento del equipo en seco	59
Puesta en marcha	62
Conexión / desconexión.....	62
Environmental Function Control (EFC).....	62
Limpieza y mantenimiento.....	62
Desmontar el equipo.....	63
Limpieza del equipo.....	63
Sustitución de la unidad de rodadura.....	64
Almacenamiento/ conservación durante el invierno	66
Eliminación de fallos	66
Datos técnicos.....	67
Datos de equipos.....	67
Valores del agua permisibles	69
Piezas de desgaste.....	69
Desecho.....	69

¿Preguntas, problemas, piezas que faltan?

Antes de devolver el equipo a su distribuidor llámenos al número de teléfono 330-274-8317, de lunes a viernes, de 8:30 am a 5:00 pm, o envíenos un mensaje electrónico a customerservice@atlantic-oase.com.

Indicaciones de seguridad

Conexión eléctrica

- Para la instalación eléctrica en el exterior se aplican prescripciones especiales. Sólo un electricista especializado puede ejecutar la instalación eléctrica.
 - El electricista especializado está cualificado por su formación profesional, conocimientos y experiencias, y facultado para realizar instalaciones eléctricas en el exterior. El electricista especializado puede reconocer posibles peligros y cumple las normas, prescripciones y disposiciones regionales y nacionales.
 - En caso de preguntas y problemas póngase en contacto con un electricista especializado.
- Conecte el equipo sólo cuando los datos eléctricos del equipo coinciden con los datos de la alimentación de corriente.
- Las líneas de prolongación y distribuidores de corriente (p. ej. enchufes múltiples) deben ser apropiados para el empleo a la intemperie (protegido contra salpicaduras de agua).
- Proteja los enchufes y conectores abiertos de la humedad.

Funcionamiento seguro

- Este equipo puede ser utilizado por niños a partir de 8 años y mayores así como por personas con capacidades físicas, sensoriales o mentales reducidas o que no dispongan de la experiencia y los conocimientos necesarios, si se les supervisan o instruyen sobre el uso seguro del equipo y los peligros resultantes. Los niños no deben jugar con el equipo. Está prohibido que los niños ejecuten la limpieza y el mantenimiento sin supervisión.
- No emplee el equipo cuando las líneas eléctricas o la caja están dañadas.
- Deseche el equipo si está dañado el cable de conexión de red. El cable de conexión de red no se puede sustituir.
- La unidad de rodadura en el equipo incluye un imán con un fuerte campo magnético que puede influir en marcapasos o desfibriladores implantados (ICD). Mantenga una distancia mínima de 8 in (0,2 m) entre el implante y el imán.
- No tire nunca de los cables eléctricos. En particular, no transporte ningún equipo por la línea eléctrica.
- Tienda las líneas de forma que estén protegidas contra daños y lesiones por tropiezo de personas.
- No realice nunca modificaciones técnicas en el equipo.
- Ejecute en el equipo sólo los trabajos descritos en estas instrucciones.
- Emplee sólo piezas de recambio originales y accesorios originales.
- En caso de problemas póngase en contacto con el servicio al cliente autorizado o con OASE.

⚠ ADVERTENCIA

Lesiones graves o la muerte por tensión eléctrica peligrosa son posibles en un equipo eléctrico en el agua que se opera con una tensión $U > 12 \text{ V CA}$ o $U > 30 \text{ V CC}$.

- ▶ Desconecte todos los equipos eléctricos en el agua antes de entrar en ella.
- ▶ Separe el equipo de la red de corriente antes de comenzar los trabajos en el equipo.

ES

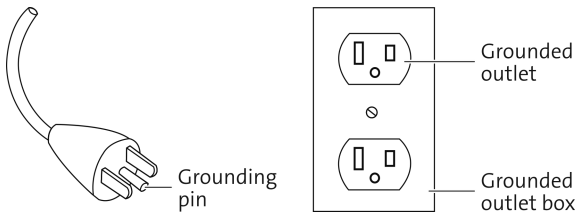
⚠ ADVERTENCIA

En caso de una conexión inadecuada de la puesta a tierra del equipo existe el peligro de una descarga eléctrica.

El equipo tiene que estar puesto a tierra para que en caso de un funcionamiento erróneo o fallo la corriente eléctrica se derive a través de la puesta a tierra y se reduzca el riesgo de una descarga eléctrica.

Instrucciones para la puesta a tierra:

- ▶ El equipo tiene un cable de red con conductores de puesta a tierra y una clavija con perno de tierra. La clavija se tiene que enchufar en un tomacorriente apropiado que esté instalado y puesto a tierra conforme a las prescripciones y reglamentos locales y asegurado mediante un interruptor diferencial (GFCI).
- ▶ Está prohibido modificar la clavija. Encargue a un electricista especializado la instalación de un tomacorriente apropiado si la clavija no encaja en el tomacorriente.
- ▶ Póngase en contacto con un electricista especializado si tiene dudas que el equipo está correctamente puesto a tierra.



Uso conforme a lo prescrito

Emplee el producto descrito en estas instrucciones sólo de la forma siguiente:

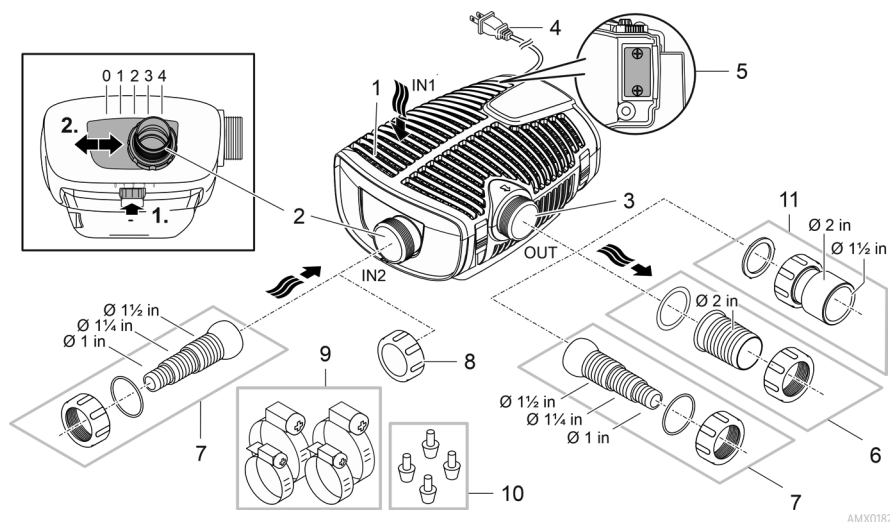
- Para bombear el agua de estanque normal para sistemas de filtros, cascadas y riachuelos.
- De acuerdo con los datos técnicos. (→ Datos técnicos)
- De acuerdo con los valores del agua permisibles. (→ Valores del agua permisibles)

Para el equipo son válidas las siguientes limitaciones:

- No emplee en piscinas.
- Está prohibido operar con otros líquidos distintos del agua.
- No opere nunca sin circulación de agua.
- No emplee el equipo en combinación con productos químicos, alimentos y sustancias fácilmente inflamables o explosivos.
- No conectar a la línea de alimentación de agua potable.
- No emplee el equipo para fines industriales.
- Según CEM (compatibilidad electromagnética) se trata de un equipo de la clase A. El equipo puede ocasionar interferencias de radio en entornos residenciales. El usuario tiene que tomar las medidas adecuadas.

Descripción del producto

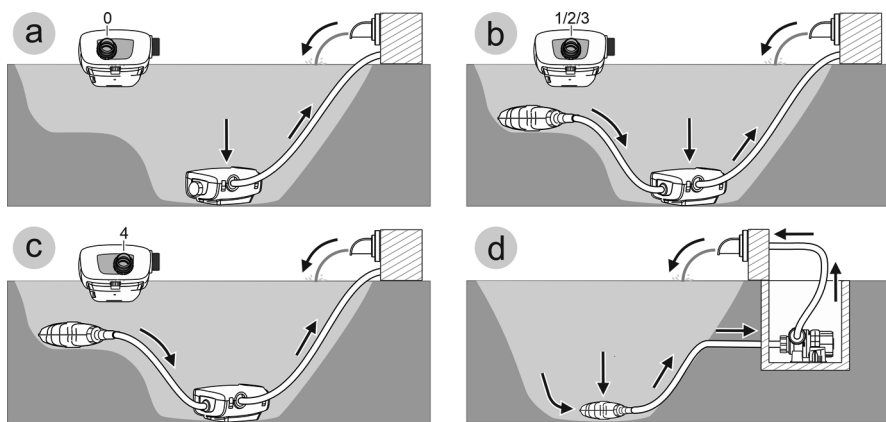
Vista sumaria



- | | |
|----|-------------------------------------------------------------------------------------------------------------------------------------------------------------------------------------------------------------------------------------------------------------------------------------------------------------------------------------------------------------------------------------------------------------------------------------------------------------------------------------------------------------------------------------------------------------------------------------------------------------------------------------------------------------------------------------------------------------------------------------------------------|
| 1 | Entrada 1 (lado de aspiración) <ul style="list-style-type: none">• Carcasa del filtro |
| 2 | Entrada 2 (lado de aspiración) <ul style="list-style-type: none">• Conexión de un filtro satélite o skimmer• El caudal en la entrada 2 y, por lo tanto, la relación del caudal entre la entrada 1 y la 2 se puede ajustar. Suelte para ello el enclavamiento y deslice la conexión a una de las siguientes posiciones:<ul style="list-style-type: none">– Posición 0: La entrada 2 está cerrada; bombeo de agua sólo a través de la entrada 1.– Posición 1/2/3: La entrada 2 está abierta aprox. 25/50/75 %; es decir bombeo de agua a través de la entrada 1 y 2 según la relación del caudal ajustada.– Posición 4: La entrada 1 está cerrada; bombeo de agua sólo a través de la entrada 2. |
| 3 | Salida (lado de presión) <ul style="list-style-type: none">• Conexión del retorno al estanque (p. ej. a través de un riachuelo). |
| 4 | Cable de red |
| 5 | Conexión del control (opcional) <ul style="list-style-type: none">• Con el control se puede regular la potencia de la bomba.• Sin el control, la bomba conectada funciona constantemente a plena potencia. |
| 6 | Boquilla de manguera para la salida (recomendación). |
| 7 | Boquilla de manguera escalonada para la entrada 2 y la salida (alternativa). |
| 8 | Tapa para cerrar la entrada 2 si no se utiliza. |
| 9 | Abrazaderas de manguera para fijar las mangueras en las boquillas de manguera. |
| 10 | Pies de goma <ul style="list-style-type: none">• Sólo para el emplazamiento en seco. |
| 11 | Adaptador de tubo para entrada 2 (alternativa) <ul style="list-style-type: none">• Para conectar tubos con un diámetro de 2 pulgadas (50 mm) o 1½ pulgadas (40 mm) |

AMX0182

Variantes de instalación



AMX0200

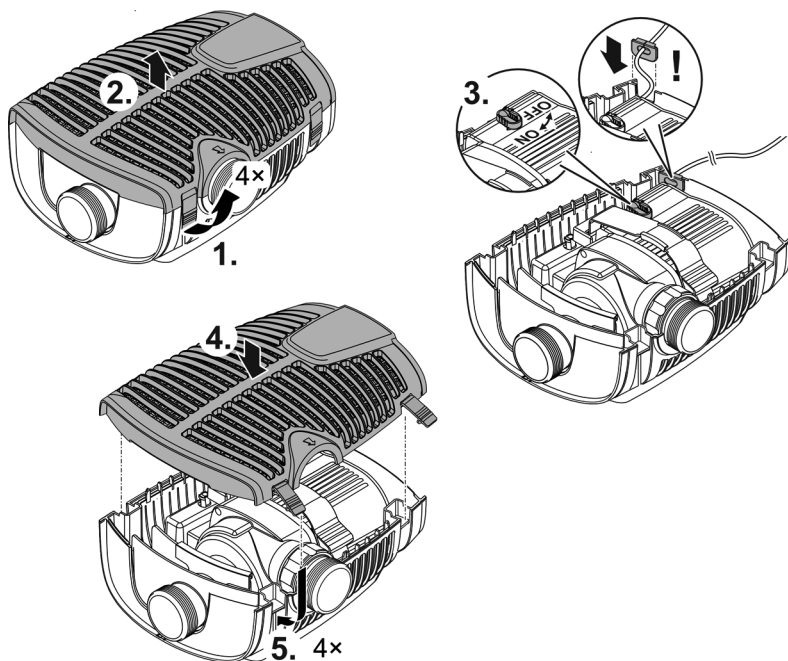
- Variante (a): Bombeo de agua sólo a través de la carcasa del filtro (entrada 1).
 - Ponga la entrada 2 en la posición "0".
 - Cierre la entrada 2 con la tapa protectora. (→ Vista sumaria)
- Variante (b): Bombeo de agua a través de la carcasa del filtro (entrada 1) y adicionalmente a través de un filtro satélite o un skimmer en la entrada 2.
 - Ponga la entrada 2 en la posición "1", "2" o "3", en dependencia de la relación del caudal deseada (25/50/75 %).
- Variante (c): Bombeo de agua sólo a través de un filtro satélite o un skimmer en la entrada 2.
 - Ponga la entrada 2 en la posición "4".
- Variante (d): Emplazamiento en seco de la bomba.
 - La bomba se tiene que emplazar para esta variante sin la carcasa del filtro.
 - La bomba se emplaza fuera del estanque, pero por debajo de la superficie del agua.
 - En caso que se puedan aspirar partículas de mayor tamaño ($\varnothing > 0.4$ in) se recomienda instalar un filtro satélite o un skimmer en el lado de aspiración.

Seasonal Flow Control (SFC)

La función SFC regula de forma inteligente la cantidad de agua o la altura de bombeo en dependencia de la temperatura del agua. De este modo se adapta la potencia de la bomba durante el año completo a la correspondiente ecología del estanque y se apoya la biología del estanque gracias a la circulación del agua en dependencia de la temperatura (funcionamiento de invierno, funcionamiento de transición y funcionamiento de verano).

- Si está activa la función SFC, la bomba diferencia entre...
 - funcionamiento de invierno (temperatura del agua inferior a +50 °F)
 - funcionamiento de transición (temperatura del agua +50 ... +63 °F)
 - funcionamiento de verano (temperatura del agua superior a +63 °F)Las correspondientes curvas características se encuentran en www.atlantic-oase.com.
- La función SFC sólo se puede activar en el emplazamiento sumergido.
- En caso que se emplee un skimmer o filtro satélite puede ser recomendable en dependencia de la instalación desconectar la función SFC.
- La función SFC está desactivada al suministro.

Conexión / desconexión



AMX0183

Emplazamiento y conexión

La bomba se puede emplazar sumergida (en el agua) o en seco (fuera del agua).

ADVERTENCIA

Lesiones graves o la muerte si el equipo se opera en un estanque de natación. Piezas eléctricas defectuosas del equipo generan una tensión eléctrica peligrosa en el agua.


- ▶ No emplee el equipo en estanques para nadar.

CUIDADO

Componentes giratorios en el área de la tubuladura de aspiración y la tubuladura de presión. Son posibles que se produzcan lesiones si se introduce la mano en las tubuladuras.

Tenga especialmente en cuenta: ¡Un equipo parado por sobrecarga puede arrancar inesperadamente!

- ▶ No toque en la abertura de la tubuladura de aspiración o la tubuladura de presión cuando esté conectada la clavija de red.
- ▶ Si las tubuladuras están libremente accesibles durante el funcionamiento, por ejemplo, si no hay mangueras conectadas, asegure las tubuladuras con un protector contra contacto. La protección contra contacto está disponible como accesorio.

-  Está prohibido exponer todos los componentes del equipo a la radiación solar directa durante largos períodos de tiempo, porque se podrían dañar. Emplee una cubierta de protección si fuera necesario.

Conexión del control

La bomba se puede operar con o sin control.

- Con el control se puede regular la potencia de la bomba.
- Sin el control, la bomba conectada funciona permanentemente a plena potencia.

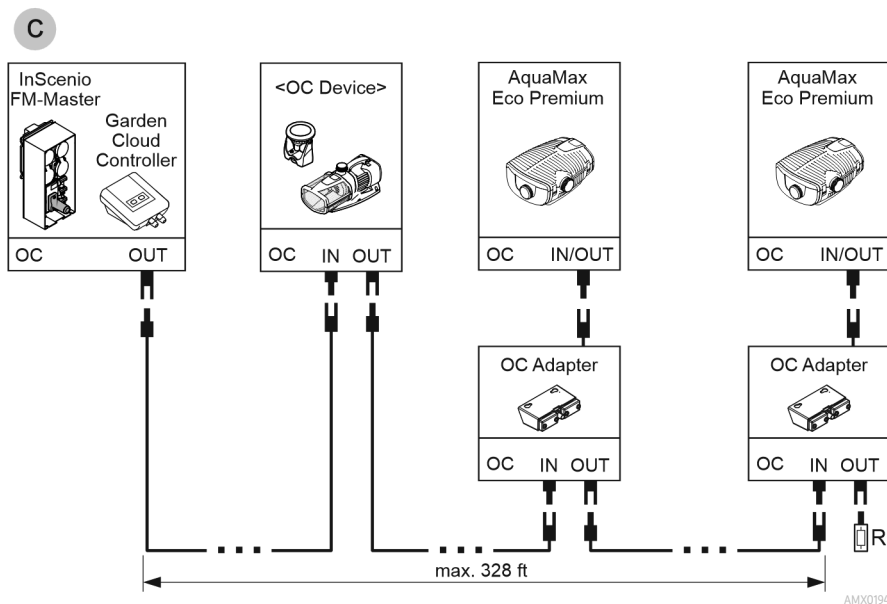
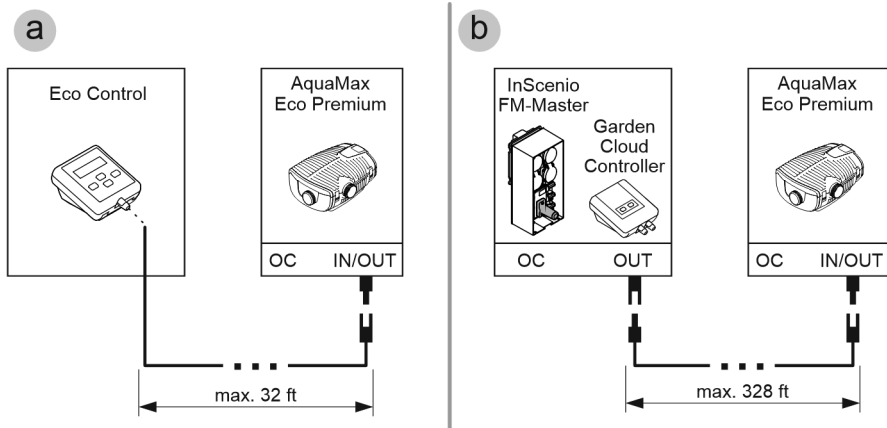
Controles compatibles (accesorio):

- Eco Control
Control inteligente para una bomba.

- Garden Cloud Controller

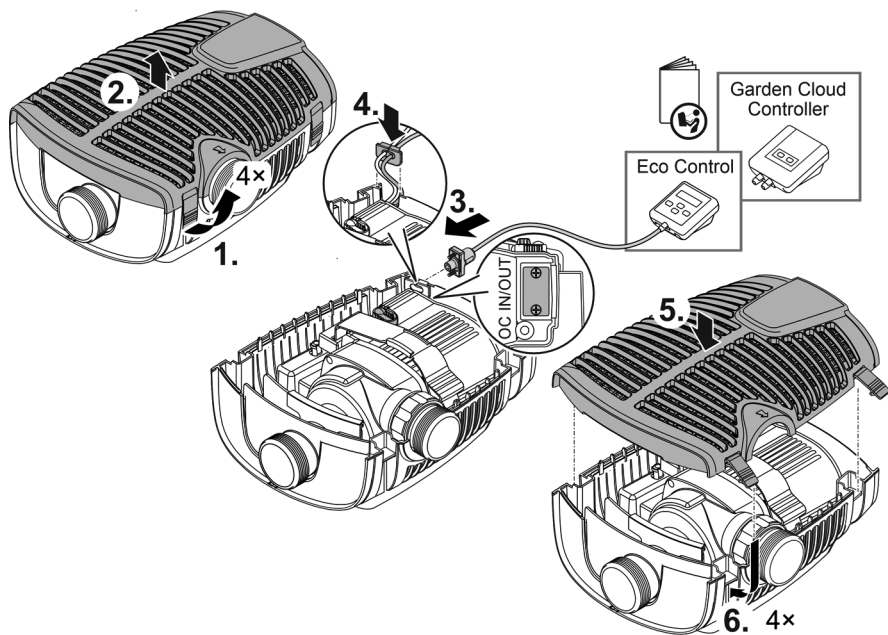
A través de la aplicación "OASE Control" se pueden controlar hasta 10 equipos compatibles con el control de OASE (bombas, filtros, lámparas).

Consulte las informaciones al respecto en www.atlantic-oase.com (→ "OASE Control").

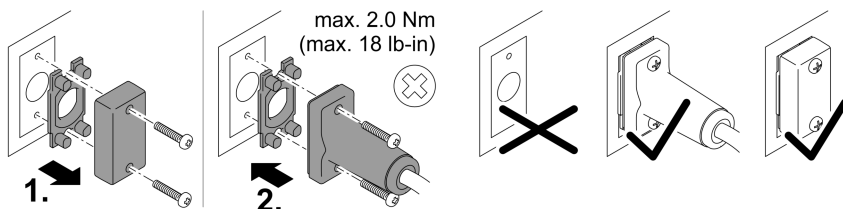


AMX0194

- Una red OASE Control (variante c) tiene que terminar con la resistencia terminal R. Está incluida en el suministro Garden Cloud Controller. En este caso se requiere el accesorio: adaptador de OASE Control (número de artículo 88443).
 - Si sólo se conecta una bomba AquaMax Eco Premium en el Garden Cloud Controller (variante b) no se requiere la resistencia terminal y, por lo tanto, tampoco el adaptador de OASE Control.
- i** Guarde de forma segura la resistencia terminal para una posible ampliación posterior del sistema OASE Control.



AMX0193



PLX0004

INDICACIÓN

El equipo se daña si entra agua en el conector.

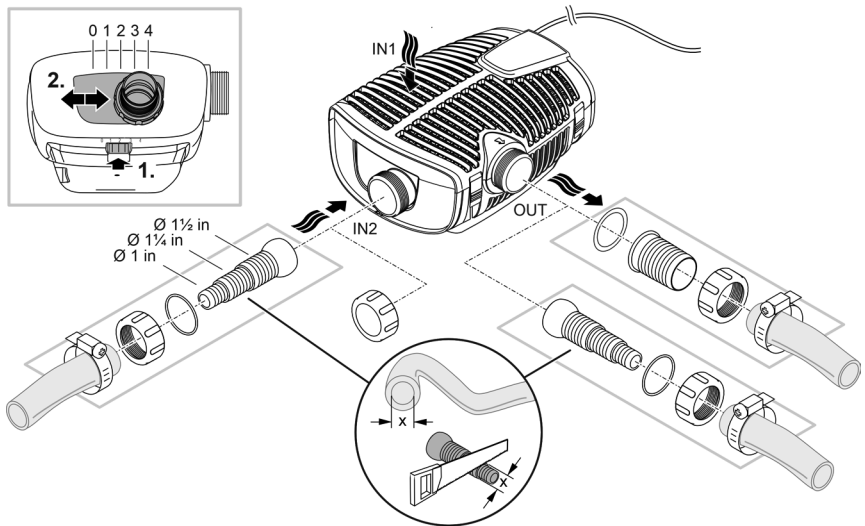
- ▶ Enchufe el conector o coloque la tapa protectora.
- ▶ La junta de goma tiene que estar limpia y encajar perfectamente.
- ▶ Una junta de goma dañada se tiene que sustituir. Si el conector se afloja se tiene que sustituir la junta de goma desgastada (> 2 años).
- ▶ Asegure el conector o la tapa protectora siempre con los dos tornillos.

Emplazamiento del equipo sumergido

Conexión

Conecte la bomba en correspondencia a la variante de instalación deseada. (→ Variantes de instalación)

- En la entrada (IN) y en la salida (OUT) se pueden conectar mangueras o tubos. El volumen de suministro incluye varios adaptadores de conexión. Otros adaptadores disponibles como accesorios.
- El diámetro de la tubería del lado de aspiración (IN) no debe ser inferior al diámetro de la tubería del lado de presión (OUT).
- Cuanto mayor sea el diámetro de la tubería menor son las pérdidas por fricción en las tuberías y mejor es el caudal.
- El diámetro de la tubería no se debe restringir innecesariamente con una boquilla de manguera. Acorte la boquilla de la manguera en correspondencia al diámetro de la manguera si fuera necesario.



AMX0184

¡No enchufe todavía la clavija de red en el tomacorriente!

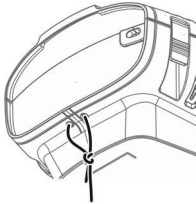
Emplazamiento

- Emplace la bomba en posición horizontal sobre una base resistente.
- Garantice una posición segura de la bomba.
- Recomendamos que, si el agua está turbia o sucia, la bomba o los componentes conectados por el lado de aspiración (skimmer, filtro satélite, desagüe del suelo, etc.) se emplacen por encima del suelo. De este modo se reduce la aspiración de partículas y se aumenta por consiguiente la vida útil de la unidad de rodadura.
- Opere la bomba sólo cuando esté cubierta al menos con 4 in (10 cm) de agua. De lo contrario, podría aspirar aire.



AMX0202

- ⓘ La bomba se puede sacar fácilmente del agua utilizando una cuerda de tracción.
- Tire la cuerda de tracción por los agujeros redondos en la parte inferior del filtro y anúdela.

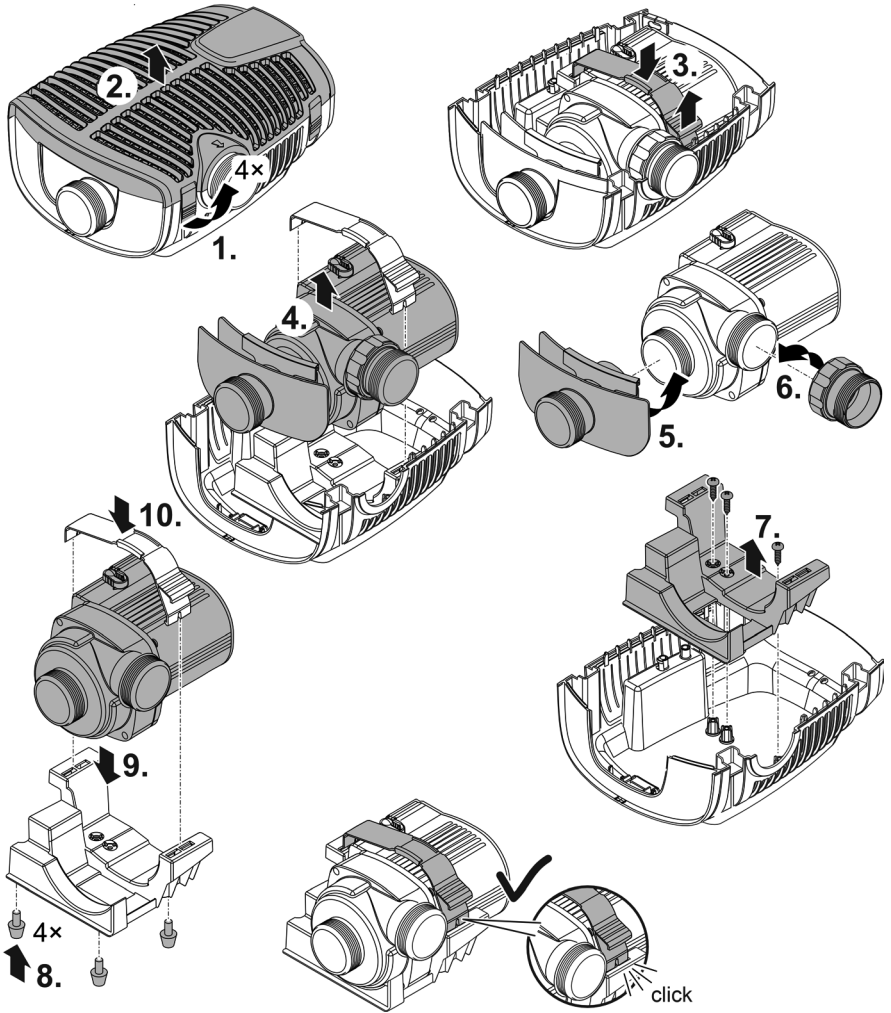


AMX0201

Emplazamiento del equipo en seco

La bomba se tiene que emplazar sin la carcasa del filtro para el emplazamiento en seco.

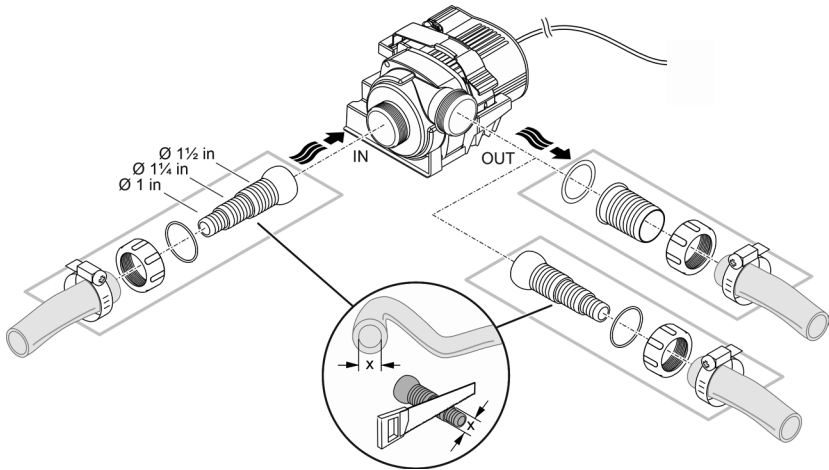
Reequipamiento



AMX0185

Conexión

- En la entrada (IN) y en la salida (OUT) se pueden conectar mangueras o tubos. El volumen de suministro incluye varios adaptadores de conexión. Otros adaptadores disponibles como accesorios.
- El diámetro de la tubería del lado de aspiración (IN) no debe ser inferior al diámetro de la tubería del lado de presión (OUT).
- Cuanto mayor sea el diámetro de la tubería menor son las pérdidas por fricción en las tuberías y mejor es el caudal.
- El diámetro de la tubería no se debe restringir innecesariamente con una boquilla de manguera. Acorte la boquilla de la manguera en correspondencia al diámetro de la manguera si fuera necesario.
- La bomba puede pasar partículas de hasta 0,4 in (11 mm). La bomba se bloquea en caso de partículas más grandes. Recomendamos instalar un filtro o skimmer en el lado de aspiración.



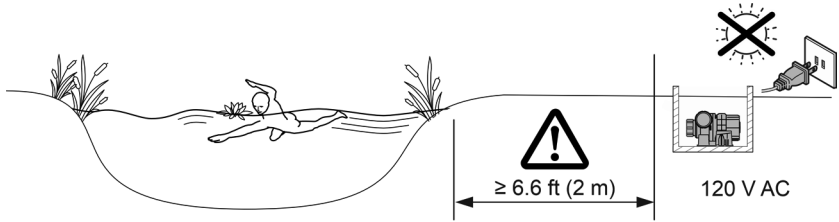
AMX0186

¡No enchufe todavía la clavija de red en el tomacorriente!

Emplazamiento

- Emplace la bomba en posición horizontal sobre una base resistente.
- Garantice una posición segura de la bomba.
- Está prohibido exponer la bomba directamente a la luz solar.
- El lugar de emplazamiento debe estar suficientemente ventilado para que la bomba no se sobrecaliente.

ES



AMX0153

Puesta en marcha

INDICACIÓN

El equipo se destruye si se opera con un atenuador de luz. Tiene componentes eléctricos sensibles.

► No conecte el equipo a una alimentación de corriente con regulación de voltaje.

INDICACIÓN

La bomba no debe marchar en seco. De lo contrario se puede destruir la bomba.

► Opere la bomba sólo cuando está sumergida o inundada.

Conexión / desconexión

- **Conexión:** Enchufe la clavija de red en el tomacorriente.
 - El equipo se conecta después de una breve fase de puesta en marcha.
- **Desconexión:** Saque la clavija de red del tomacorriente.

Environmental Function Control (EFC)

La bomba realiza automáticamente una autocomprobación preprogramada (**Environmental Function Control (EFC)**) a la puesta en marcha y después durante el funcionamiento cada 20 a 40 minutos. La bomba reconoce si marcha en seco, está bloqueada o está sumergida. En el caso de una marcha en seco/ bloqueo, la bomba se desconecta automáticamente después de aprox. 60 a 120 segundos. En caso de fallo interrumpe la alimentación de corriente e "inunde la bomba" o elimine el obstáculo. Después se puede arrancar de nuevo el equipo.

Limpieza y mantenimiento

⚠ CUIDADO

Peligro de lesión por un arranque imprevisible. Las funciones de supervisión internas del equipo pueden desconectar el equipo y conectarlo de nuevo automáticamente.

► Saque la clavija de la red antes de trabajar en el equipo.

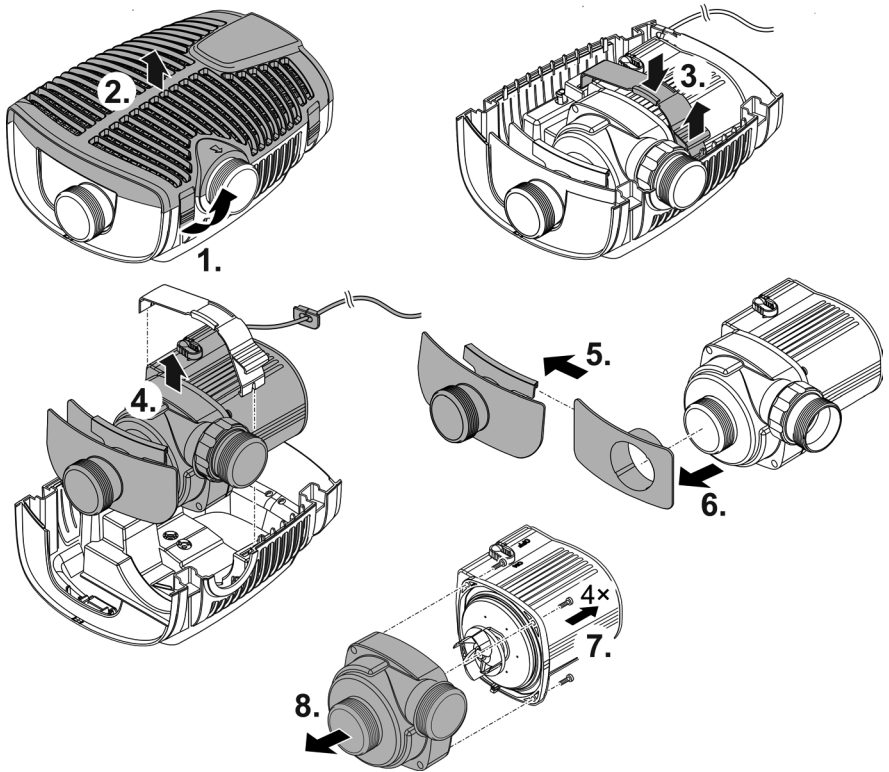
INDICACIÓN

No emplee productos de limpieza agresivos ni soluciones químicas. Estos productos pueden dañar la carcasa, mermar el funcionamiento del equipo y dañar a los animales, las plantas y el medio ambiente.

► Si fuera posible, limpie el equipo con agua limpia y un cepillo suave o una esponja; si la suciedad es muy persistente emplee los productos de limpieza recomendados.

Desmontar el equipo

- Saque la clavija de red y quite todas las conexiones.
- Desmonte el equipo como se muestra en la ilustración.



- Monte el equipo en secuencia contraria después de la limpieza o el mantenimiento.
- Asegúrese al montaje que:
 - la abrazadera que sujeta la bomba en el soporte está bien enclavada.
 - los cables de conexión se guíen fuera de la carcasa con el pasacables y que los cables no estén doblados ni atrapados.

Limpieza del equipo

- ① Limpie el equipo según sea necesario, pero como mínimo 2 veces al año.
 - Limpie en la bomba especialmente la unidad de rodadura y la carcasa de la bomba.
- Productos de limpieza recomendados en caso de calcificaciones persistentes:
 - Productos de limpieza domésticos sin vinagre y cloro.
- Después de la limpieza enjuague minuciosamente todas las piezas con agua clara.

Sustitución de la unidad de rodadura

INDICACIÓN

La unidad de rodadura incluye un imán fuerte que atrae las partículas magnéticas (p. ej. virutas de hierro). Las partículas que se quedan adheridas pueden producir daños irreparables en la unidad de rodadura y el bloque del motor.

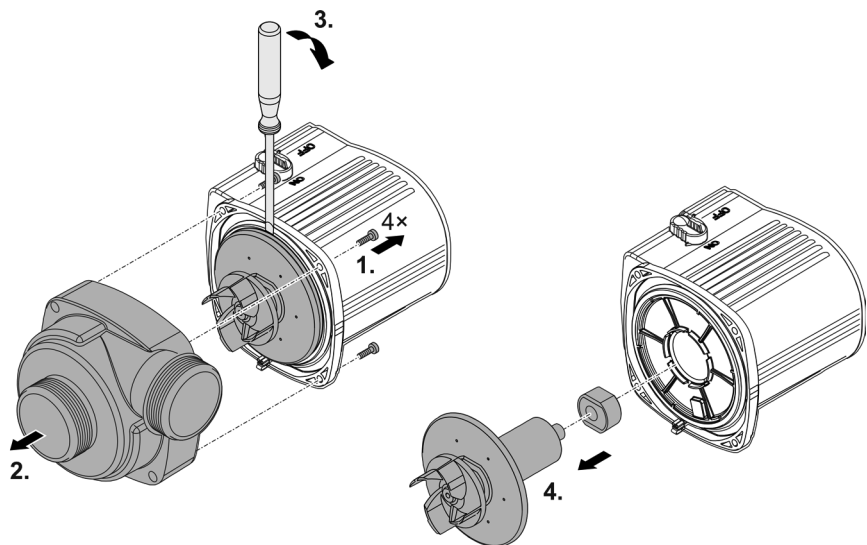
- ▶ Elimine minuciosamente las partículas adheridas antes del montaje de la unidad de rodadura.

INDICACIÓN

La unidad de rodadura tiene un imán potente que, cuando se inserta la unidad de rodadura en el bloque del motor, tira bruscamente de la unidad de rodadura hacia el bloque del motor. Si la unidad de rodadura se atasca se pueden producir daños irreparables en la unidad de rodadura y en el bloque del motor.

- ▶ Sujete firmemente la unidad de rodadura y guíela con cuidado y en línea recta en el bloque del motor.

- ① La unidad de rodadura se guía en el bloque del motor por un cojinete. Este cojinete es una pieza de desgaste y se debe sustituir simultáneamente con la unidad de rodadura. La sustitución del cojinete requiere conocimientos especiales y herramientas. Encargue la sustitución del cojinete a su comerciante de OASE o envíe la bomba a OASE North America Inc.
- ① Es posible que el cojinete en el bloque motor se suelte a la extracción de la unidad de rodadura. Controle al montaje que esté correctamente asentado. Presione el cojinete con las ranuras anchas por delante en el bloque motor, si fuera necesario.
 - Desmonte el bloque motor como se muestra en la ilustración.
 - Limpie los componentes con un cepillo y agua limpia.
 - Compruebe si las piezas están dañadas. Renueve las piezas dañadas o desgastadas.
 - Monte el bloque motor en secuencia contraria.



AMX0189

Almacenamiento/ conservación durante el invierno

El equipo está protegido contra heladas hasta -4 °F (-20 °C). Si el equipo se guarda fuera del estanque límpielo minuciosamente con un cepillo suave y agua, compruebe si presenta daños y almacénelo bajo agua o lleno de agua. No sumerja la clavija de red en el agua.

Eliminación de fallos

Fallo	Causa	Acción correctora
La bomba no arranca	No hay tensión de alimentación	Compruebe la tensión de alimentación.
	Falta la tensión de control (sólo en caso de control externo opcional)	Compruebe la conexión a la red de OASE Eco Control o OASE Control; conecte la bomba por encima si fuera necesario
	Líneas de alimentación dobladas	Tienda las líneas de alimentación sin dobleces
	Líneas de alimentación obstruidas	Controle/ limpie las líneas de alimentación
La bomba no transporta. Caudal insuficiente	La unidad de rodadura está bloqueada	Elimine el bloqueo, compruebe la suavidad de marcha de la unidad de rodadura
	La carcasa del filtro está obstruida	Limpie las partes de filtro
	Pérdidas excesivas en las líneas de alimentación	Acorte la longitud de las mangueras al mínimo necesario, evite piezas de conexión innecesarias y emplee diámetros de manguera mayores.
La bomba se desconecta después de un corto tiempo de funcionamiento	La unidad de rodadura marcha con dificultad	Compruebe la suavidad de marcha de la unidad de rodadura
	Agua muy sucia	Limpie la bomba
	La unidad de rodadura está bloqueada	Elimine el bloqueo, compruebe la suavidad de marcha de la unidad de rodadura
	La bomba marchó en seco.	Controle/ limpie las línea de alimentación, aumente la profundidad de inmersión (como mínimo 4 in por debajo de la superficie del agua)
	Temperatura del agua muy alta	Cumpla la temperatura del agua máxima permisible. (→ Datos técnicos)

Datos técnicos

Datos de equipos

AquaMax Eco Premium			2500	3500
Tensión de conexión		V AC	120	120
Frecuencia de red		Hz	60	60
Consumo de potencia		W	14 ... 60	16 ... 100
Capacidad de bombeo máx.		gph	2500	3500
		l/h	9400	13200
Altura de bombeo máx.		ft	14,7	16,4
		m	4,5	5,0
Categoría de protección			IP68	IP68
Profundidad de inmersión máxima		ft	13	13
		m	4	4
Lado de aspiración	Rosca	in	2	2
Lado de presión			G2	G2
Conexión de manguera (Diámetro interior)		in	1, 1¼, 1½, 2	1, 1¼, 1½, 2
		mm	25, 32, 38, 50	25, 32, 38, 50
Conexión de tuberías (Diámetro exterior)		in	2	2
		mm	50	50
Conexión de tuberías (Diámetro interior)		in	1½	1½
		mm	40	40
Tamaño de grano máximo, suciedad gruesa		in	0,43	11
		mm	11	11
Superficie de entrada del filtro		in ²	155	155
		cm ²	1000	1000
Temperatura del agua (emplazamiento sumergido)	Durante el funcionamiento		(- Valores del agua permisibles)	
	Fuera de servicio	°F	-4 ... +95	-4 ... +95
		°C	-20 ... +35	-20 ... +35
Temperatura ambiente (emplazamiento en seco)	Durante el funcionamiento con convección natural	°F	+39 ... +95	+39 ... +95
		°C	+4 ... +30	+4 ... +30
	Durante el funcionamiento y refrigeración forzada	°F	+39 ... +104	+39 ... +104
		°C	+4 ... +40	+4 ... +40
Dimensiones	Longitud	in	13,4	13,4
		mm	340	340
	Anchura	in	11,0	11,0
		mm	280	280
	Altura	in	6,5	6,5
		mm	165	165
Longitud del cable de conexión		ft	20	20
		m	6	6

AquaMax Eco Premium		2500	3500	
Peso	lbs	13,7	15,2	
	kg	6,2	6,9	
AquaMax Eco Premium		4500	5500	
Tensión de conexión	V AC	120	120	
Frecuencia de red	Hz	60	60	
Consumo de potencia	W	18 ... 140	20 ... 160	
Capacidad de bombeo máx.	gph	4500	5500	
	l/h	17000	21000	
Altura de bombeo máx.	ft	18,0	18,0	
	m	5,5	5,5	
Categoría de protección		IP68	IP68	
Profundidad de inmersión máxima	ft	13	13	
	m	4	4	
Lado de aspiración	Rosca	in	2	
Lado de presión		G2	G2	
Conexión de manguera (Diámetro interior)	in	1, 1¼, 1½, 2	1, 1¼, 1½, 2	
	mm	25, 32, 38, 50	25, 32, 38, 50	
Conexión de tuberías (Diámetro exterior)	in	2	2	
	mm	50	50	
Conexión de tuberías (Diámetro interior)	in	1½	1½	
	mm	40	40	
Tamaño de grano máximo, suciedad gruesa	in	0,43	0,43	
	mm	11	11	
Superficie de entrada del filtro	in ²	155	155	
	cm ²	1000	1000	
Temperatura del agua (emplazamiento sumergido)	Durante el funcionamiento	(- Valores del agua permisibles)		
	Fuera de servicio	-4 ... +95	-4 ... +95	-4 ... +95
		-20 ... +35	-20 ... +35	-20 ... +35
Temperatura ambiente (emplazamiento en seco)	Durante el funcionamiento con convección natural	+39 ... +95	+39 ... +95	+39 ... +95
		+4 ... +30	+4 ... +30	+4 ... +30
	Durante el funcionamiento y refrigeración forzada	+39 ... +104	+39 ... +104	+39 ... +104
		+4 ... +40	+4 ... +40	+4 ... +40
Dimensiones	Longitud	13,4	13,4	13,4
		340	340	340
	Anchura	11,0	11,0	11,0
		280	280	280
		165	165	165
	Altura	6,5	6,5	6,5

AquaMax Eco Premium		4500	5500
Longitud del cable de conexión	ft	20	20
	m	6	6
Peso	lbs	15,2	15,2
	kg	6,9	6,9

ES

Valores del agua permisibles

		Agua fresca	Agua de piscina	Agua salada
Valor pH		6,8 ... 8,5	7,2 ... 8,3	7,5 ... 8,5
Dureza	ppm	142 ... 267 CaCO ₃	142 ... 267 CaCO ₃	256 ... 534 CaCO ₃
	°dH	8 ... 15	8 ... 15	14 ... 30
Cloro libre	ppm	<0,3	<0,6	<0,3
	mg/l	<0,3	<0,6	<0,3
Contenido de cloruro	ppm	<250	<250	<22000
	mg/l	<250	<250	<22000
Contenido de sal	%	<0,4	<0,4	<4
Residuo seco total	ppm	<50	<50	<50
	mg/l	<50	<50	<50
Temperatura	°F	+39 ... +95	+39 ... +86	+39 ... +82
	°C	+4 ... +35	+4 ... +30	+4 ... +28

Piezas de desgaste

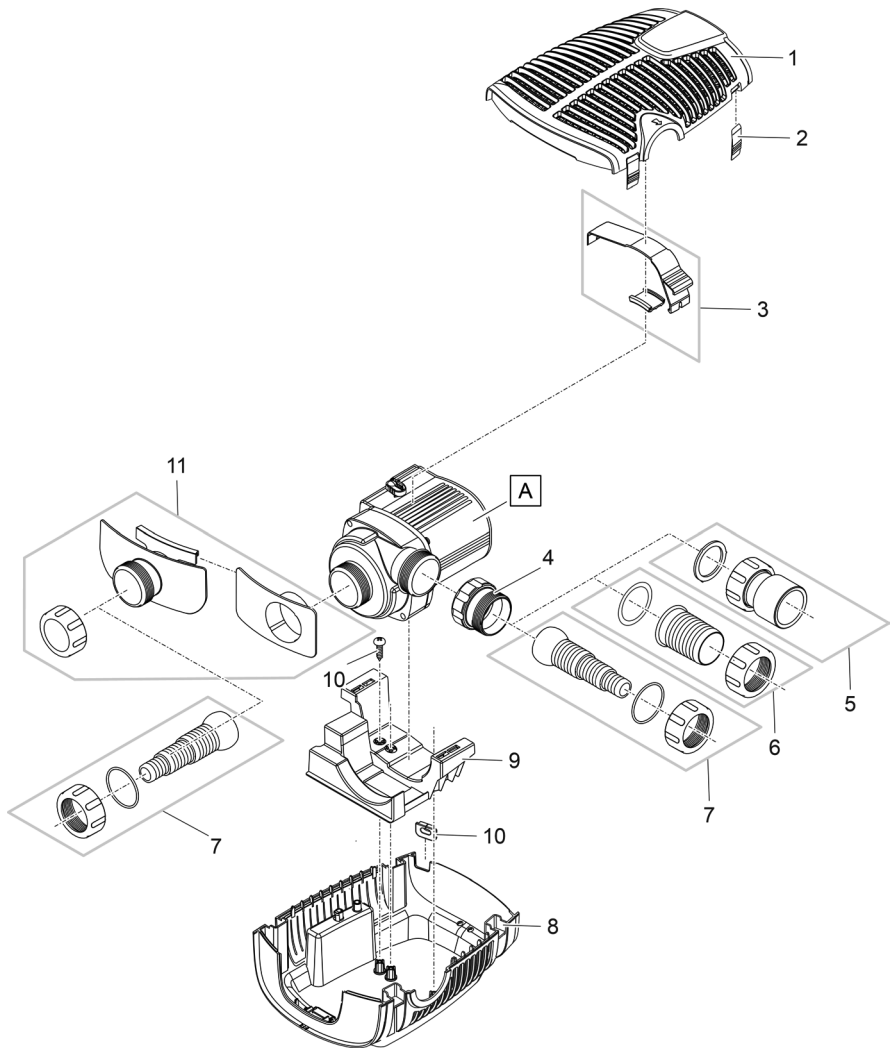
- Unidad de rodadura
- Cojinete en el bloque del motor

Desecho

INDICACIÓN

Está prohibido desechar este equipo en la basura doméstica.

- Diríjase a su empresa local de gestión de residuos. Allí recibe las informaciones sobre el desecho adecuado del equipo.
- Corte los cables para inutilizar el equipo.



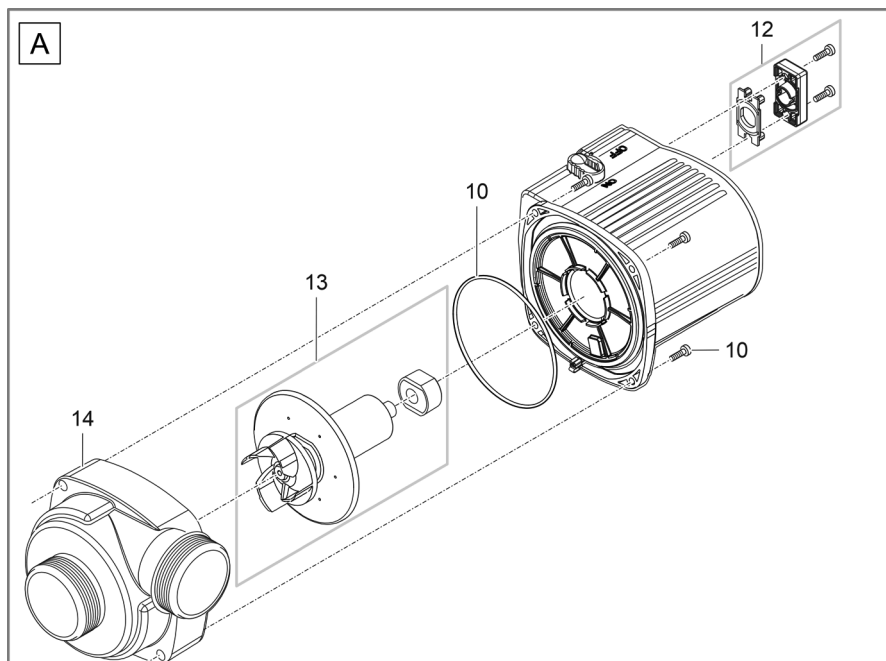
AMX0190

AquaMax Eco Premium

Pos.	2500	3500	4500	5500
1	17963	17963	17963	17963
2	30983	30983	30983	30983
3	92640	92641	92641	92641
4	16859	16859	16859	16859
5	10143	10143	10143	10143
6	17069	17069	17069	17069
7	17272	17272	17272	17272
8	17962	17962	17962	17962

AquaMax Eco Premium

9	73312	75487	75487	75487
10	92638	92638	92638	92638
11	92639	92639	92639	92639



AMX0191

AquaMax Eco Premium

Pos.	2500	3500	4500	5500
12	40509	40509	40509	40509
13	92645	92646	92647	92648
14	92651	92652	92653	92654

OASE North America Inc.
125 Lena Drive | Aurora | Ohio 44202 | USA
✉ customercare@oase.com
www.atlantic-oase.com